

SERIES: RCJ-01X-SMT | **DESCRIPTION:** RCA JACK**FEATURES**

- surface mount
- right angle

**PART NUMBER KEY**

RCJ-01 X - SMT - TR

Base Number

Housing Color:

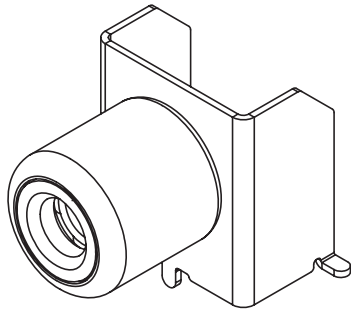
- 1 = Black
- 2 = Red
- 3 = White
- 4 = Yellow

SPECIFICATIONS

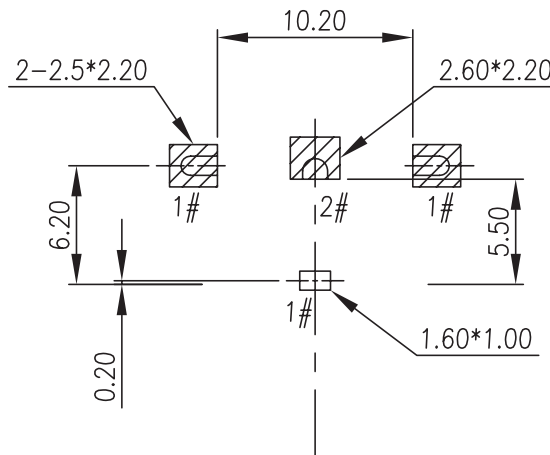
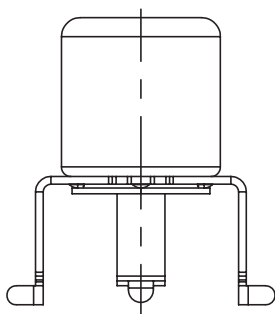
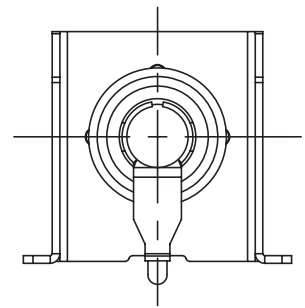
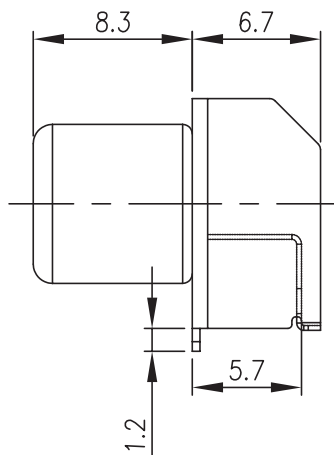
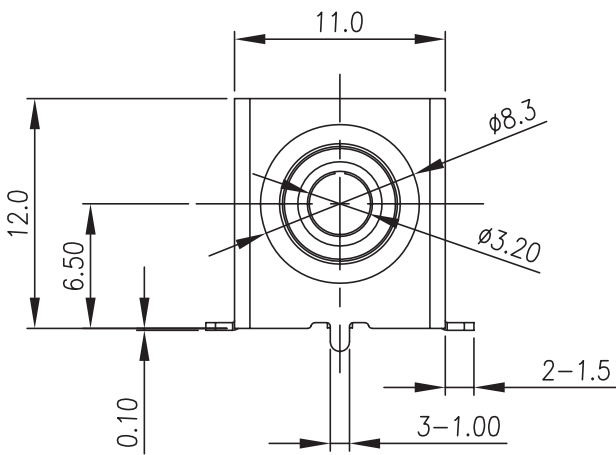
| parameter | conditions/description | min | typ | max | units |
|-----------------------|------------------------|-----|-------|-----|--------|
| rated voltage | | | 12 | | Vdc |
| rated current | | | | 1 | A |
| contact resistance | | | | 30 | mΩ |
| insulation resistance | at 500 Vdc | 100 | | | MΩ |
| voltage withstand | for 1 minute | | | 500 | Vac |
| insertion force | with mating plug | | | 3.5 | kgf |
| withdrawal force | with mating plug | 0.8 | | | kgf |
| operating temperature | | -25 | | 85 | °C |
| life | | | 5,000 | | cycles |
| flammability rating | UL94V-0 | | | | |
| RoHS | yes | | | | |

MECHANICAL DRAWING

units: mm
 tolerance:
 X. ± 0.50 mm
 X.X ± 0.30 mm
 X.XX ± 0.20 mm
 unless otherwise specified



| DESCRIPTION | MATERIAL | PLATING/COLOR |
|----------------|-----------------|---------------------|
| shell | brass | tin |
| bracket | SPCC | tin |
| center contact | brass | tin |
| insulator | PA10T (UL94V-0) | black |
| washer | PA10T (UL94V-0) | see part number key |



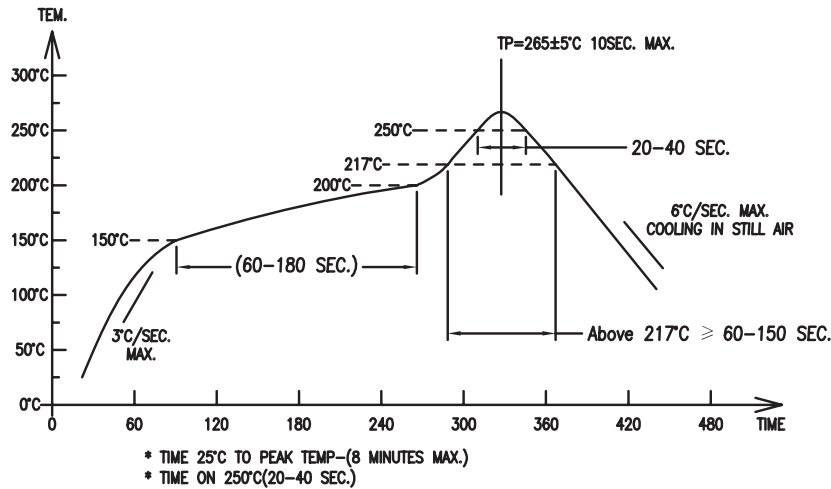
Recommended PCB Layout
Top View

| | |
|-----------|-------------|
| Model No. | RCJ-01X-SMT |
| Schematic | |

SOLDERABILITY

| parameter | conditions/description | min | typ | max | units |
|------------------|---|-----|-----|-----|-------|
| reel storage | -5~35°C, 25~80% humidity reel opened: use within 1 month reel unopened: use within 6 months | | | | |
| reflow soldering | see reflow profile | 260 | 265 | 270 | °C |

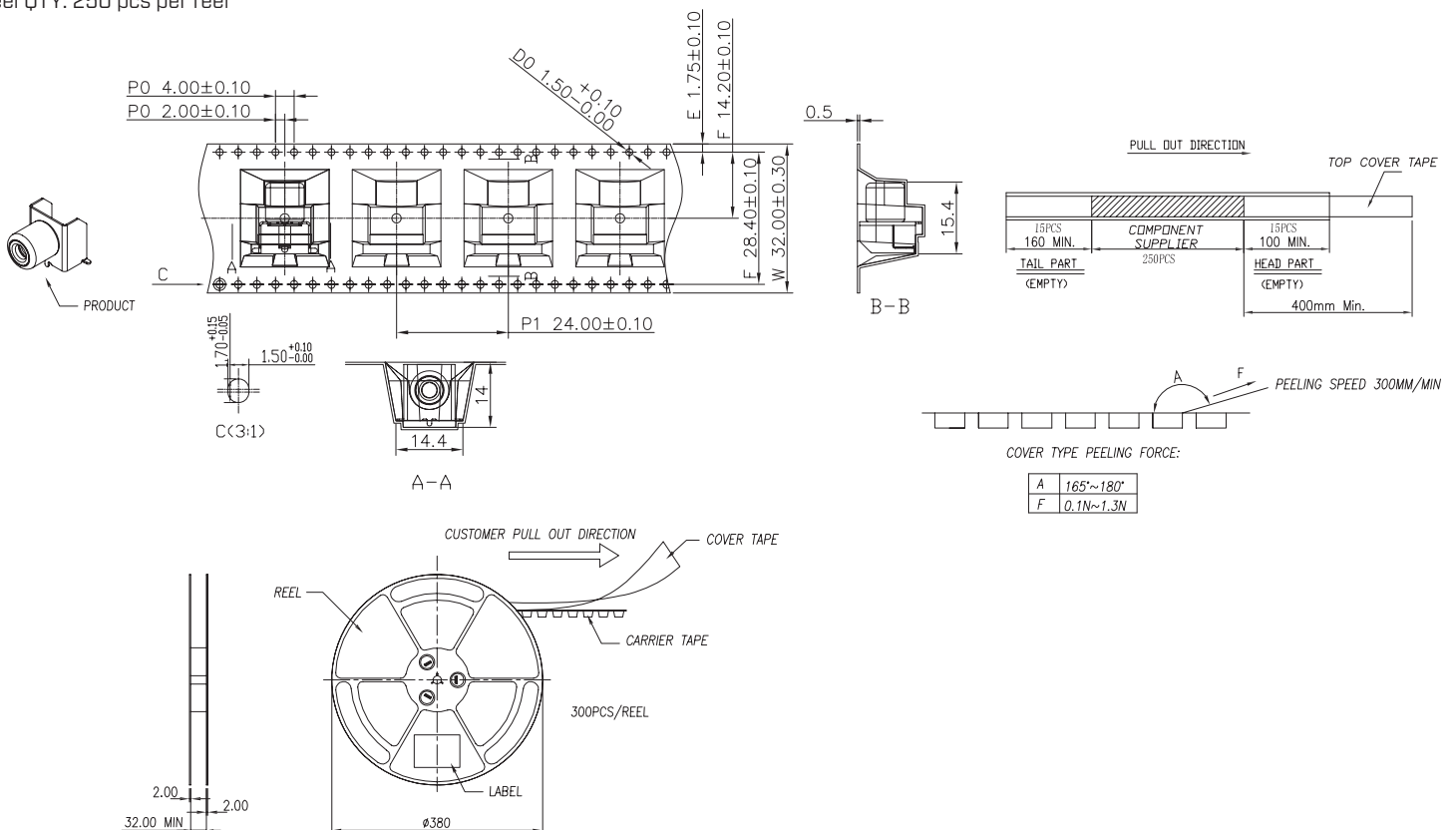
Note: 1. Same Sky recommends usage of the product within 2 hours after T&R is opened. After 6 hours, Same Sky recommends drying the parts prior to use.



PACKAGING

units: mm

Reel Size: Ø380 mm
Reel QTY: 250 pcs per reel



REVISION HISTORY

| rev. | description | date |
|------|---|------------|
| 1.0 | initial release | 03/02/2006 |
| 1.01 | added TR package option | 11/07/2012 |
| 1.02 | logo, brand update | 10/28/2022 |
| 1.03 | discontinued model RCJ-017-SMT; product reengineered for improved manufacturability and production yield, see PCN for details | 01/30/2024 |
| 1.04 | CUI Devices rebranded to Same Sky | 09/12/2024 |

The revision history provided is for informational purposes only and is believed to be accurate.



Same Sky offers a one (1) year limited warranty. Complete warranty information is listed on our website.

Same Sky reserves the right to make changes to the product at any time without notice. Information provided by Same Sky is believed to be accurate and reliable. However, no responsibility is assumed by Same Sky for its use, nor for any infringements of patents or other rights of third parties which may result from its use.

Same Sky products are not authorized or warranted for use as critical components in equipment that requires an extremely high level of reliability. A critical component is any component of a life support device or system whose failure to perform can be reasonably expected to cause the failure of the life support device or system, or to affect its safety or effectiveness.

[sameskydevices.com](https://www.sameskydevices.com)