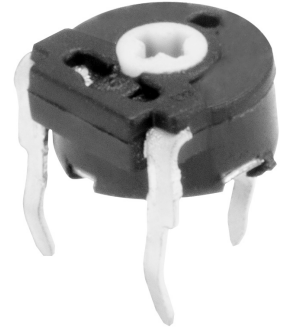




SERIES: PTN06 | DESCRIPTION: TRIMMER POTENTIOMETER

FEATURES

- 6 mm
- carbon element
- dust proof enclosure
- multiple rotor options
- linear, logarithmic, and reverse logarithmic tapers



SPECIFICATIONS

| parameter | conditions/description | min | typ | max | units |
|-------------------------------|--|-----|-----|-------|-------|
| maximum operating voltage | | | | 200 | Vdc |
| power rating | at 70°C | | | 0.15 | W |
| taper | linear, logarithmic, and reverse logarithmic | | | | |
| standard resistance range | see Resistance Table | 1.0 | | 2,000 | kΩ |
| standard resistance tolerance | ±10% or ±20%, see Part Number Key | | | | |
| residual resistance | | | | 10 | Ω |
| sliding noise | | | | 68 | mV |
| operating temperature | | -10 | | 70 | °C |
| hand soldering | for 3 seconds max | | | 350 | °C |
| wave soldering | for 5±1 seconds | 255 | 260 | 265 | °C |
| RoHS | yes | | | | |

MECHANICAL

| parameter | conditions/description | min | typ | max | units |
|-------------------|------------------------|------|-------|--------|--------|
| mechanical angle | | 225 | 235 | 245 | ° |
| rotational torque | | 10 | | 80 | gf-cm |
| stop strength | | 400 | | | gf-cm |
| rotational life | | | | 10,000 | cycles |
| weight | | 0.18 | 0.185 | 0.19 | g |

PART NUMBER KEY

PTN06 - X XX X X XX - X

Base Number

Terminal Configuration:
 B = Horizontal, Crimped Terminals
 D = Vertical, Crimped Terminals
 E = Vertical, Straight Terminals

Resistance:
 01 = 1 kΩ
 02 = 2 kΩ
 05 = 5 kΩ
 10 = 10 kΩ
 20 = 20 kΩ
 25 = 25 kΩ
 50 = 50 kΩ
 100 = 100 kΩ
 200 = 200 kΩ
 500 = 500 kΩ
 11 = 1 MΩ
 22 = 2 MΩ

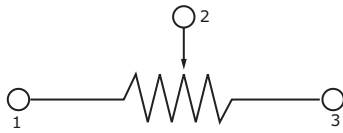
Rotor Type:
 H = Hexagonal
 C = Cross Slot

Resistance Taper:
 A = Logarithmic
 B = Linear
 C = Reverse Logarithmic

Wiper Position:
 blank = initial
 H = 50%

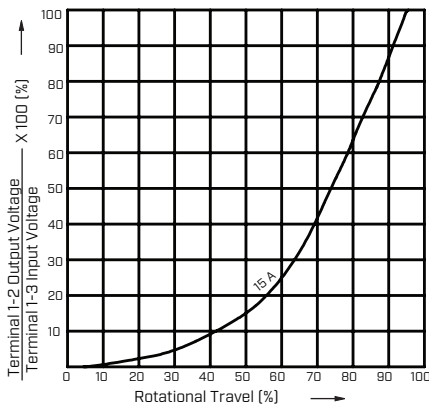
Tolerance:
 10 = ±10%
 20 = ±20%

SCHEMATIC/TAPERS

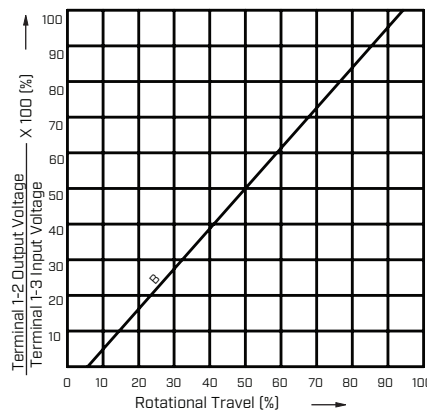


| Resistance Table | |
|------------------|------|
| Resistance (KΩ) | Code |
| 1 | 01 |
| 2 | 02 |
| 5 | 05 |
| 10 | 10 |
| 20 | 20 |
| 25 | 25 |
| 50 | 50 |
| 100 | 100 |
| 200 | 200 |
| 500 | 500 |
| 1,000 | 11 |
| 2,000 | 22 |

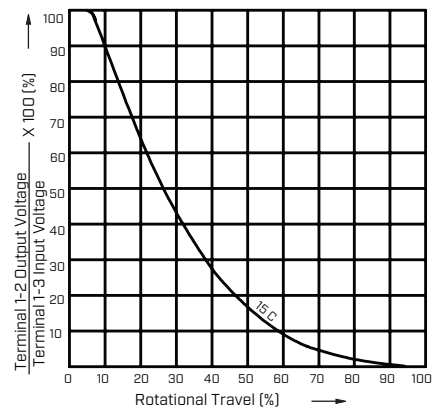
A (Logarithmic Tapers)



B (Linear Tapers)

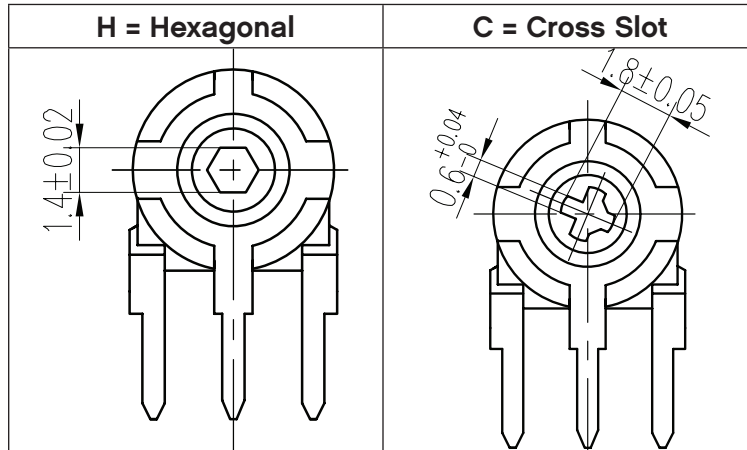


C (Reverse Logarithmic Tapers)



ROTOR TYPE

units: mm
 tolerance: ± 0.3 mm
 unless otherwise noted

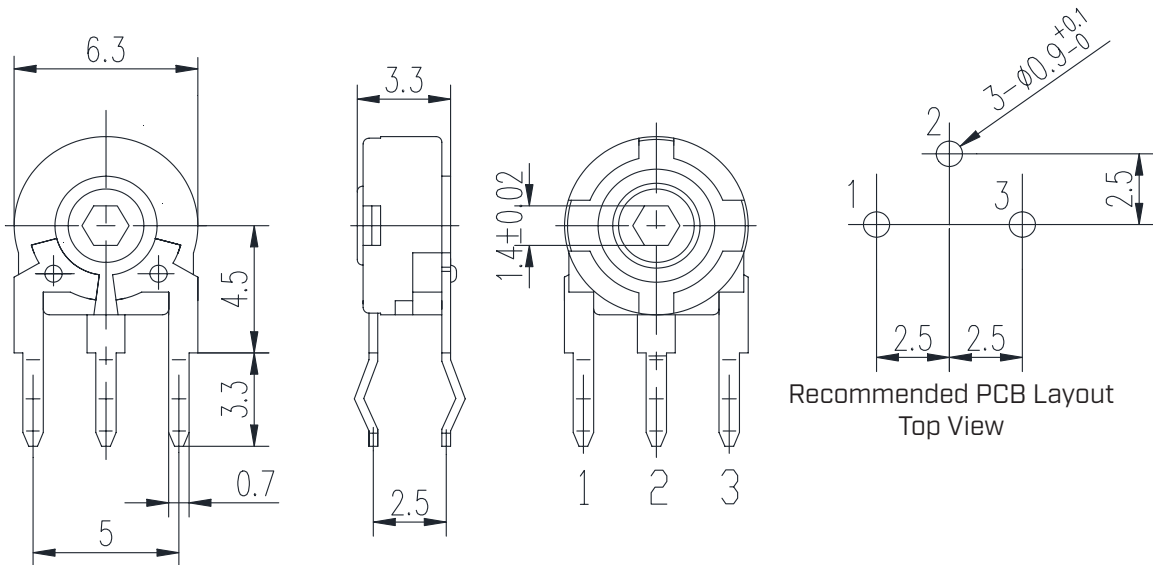


MECHANICAL DRAWING (HORIZONTAL, CRIMPED TERMINALS)

units: mm
 tolerance:
 $X \leq 10$: ± 0.3 mm
 $10 < X \leq 30$: ± 0.5 mm
 $30 < X \leq 100$: ± 1.0 mm
 unless otherwise noted

| ITEM | DESCRIPTION | MATERIAL | PLATING/COLOR |
|------|-------------|--------------|---------------|
| A | housing | PA6 (UL94HB) | black |
| B | terminals | steel | tin |
| C | reed | zinc | cupronickel |

| TERMINAL CONNECTIONS | |
|----------------------|-------------|
| TERMINAL | DESCRIPTION |
| 1 | Initial |
| 2 | Wiper |
| 3 | Final |

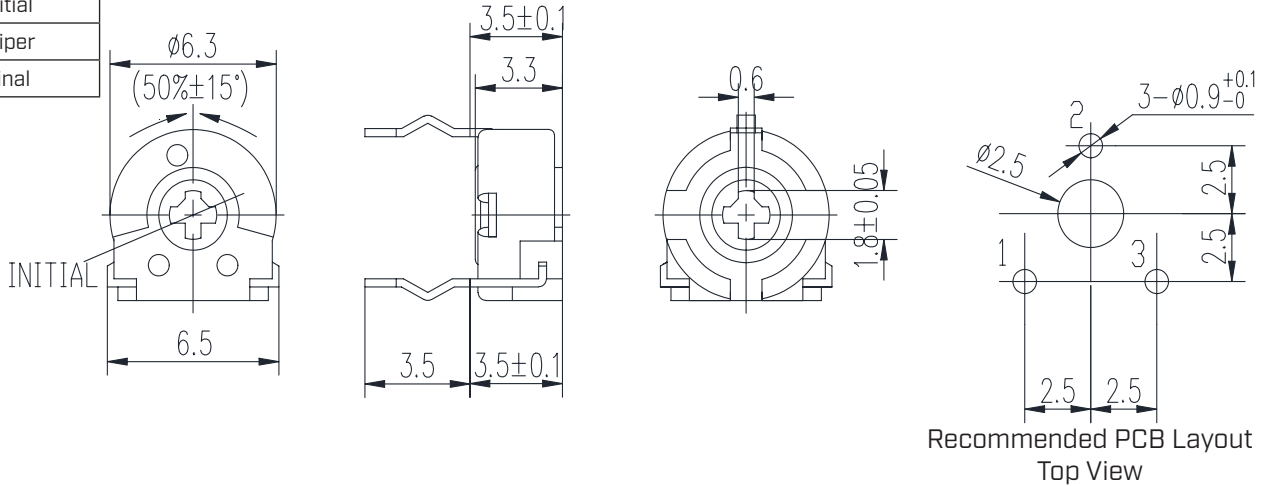


MECHANICAL DRAWING (VERTICAL, CRIMPED TERMINALS)

units: mm
 tolerance:
 $X \leq 10$: ± 0.3 mm
 $10 < X \leq 30$: ± 0.5 mm
 $30 < X \leq 100$: ± 1.0 mm
 unless otherwise noted

| ITEM | DESCRIPTION | MATERIAL | PLATING/COLOR |
|------|-------------|--------------|---------------|
| A | housing | PA6 (UL94HB) | black |
| B | terminals | steel | tin |
| C | reed | zinc | cupronickel |

| TERMINAL CONNECTIONS | |
|----------------------|-------------|
| TERMINAL | DESCRIPTION |
| 1 | Initial |
| 2 | Wiper |
| 3 | Final |

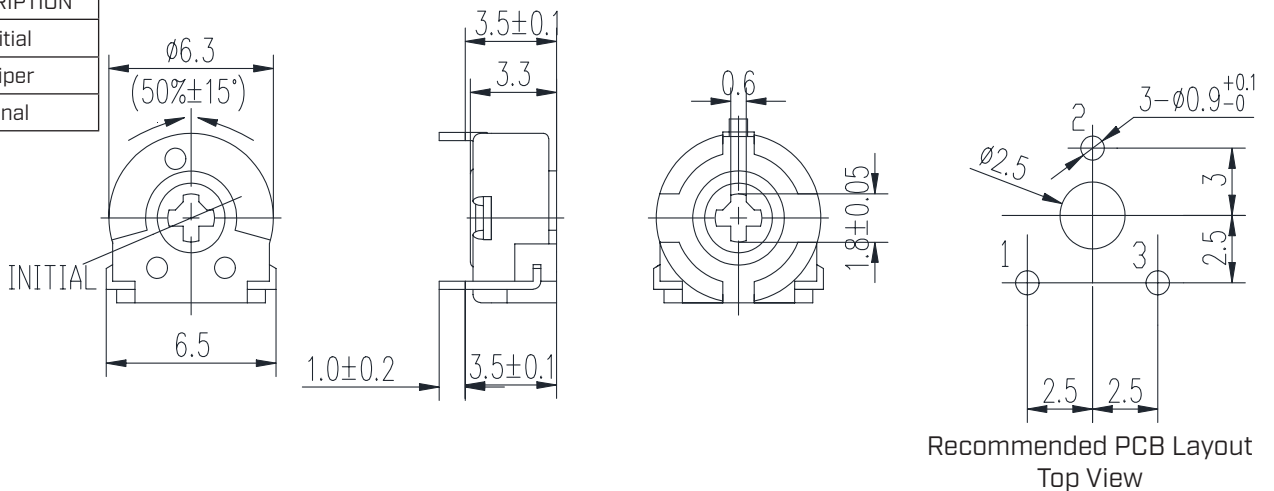


MECHANICAL DRAWING (VERTICAL, STRAIGHT TERMINALS)

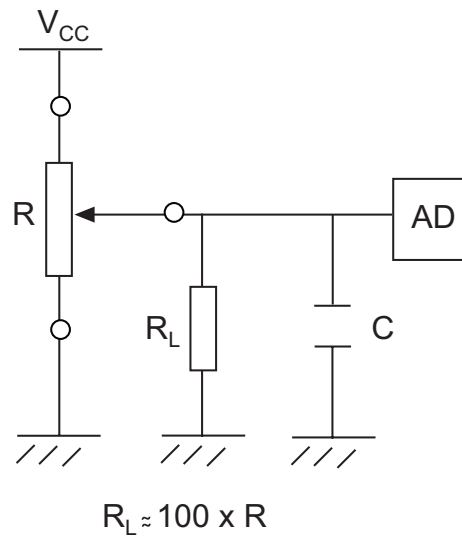
units: mm
 tolerance:
 $X \leq 10$: ± 0.3 mm
 $10 < X \leq 30$: ± 0.5 mm
 $30 < X \leq 100$: ± 1.0 mm
 unless otherwise noted

| ITEM | DESCRIPTION | MATERIAL | PLATING/COLOR |
|------|-------------|--------------|---------------|
| A | housing | PA6 (UL94HB) | black |
| B | terminals | steel | tin |
| C | reed | zinc | cupronickel |

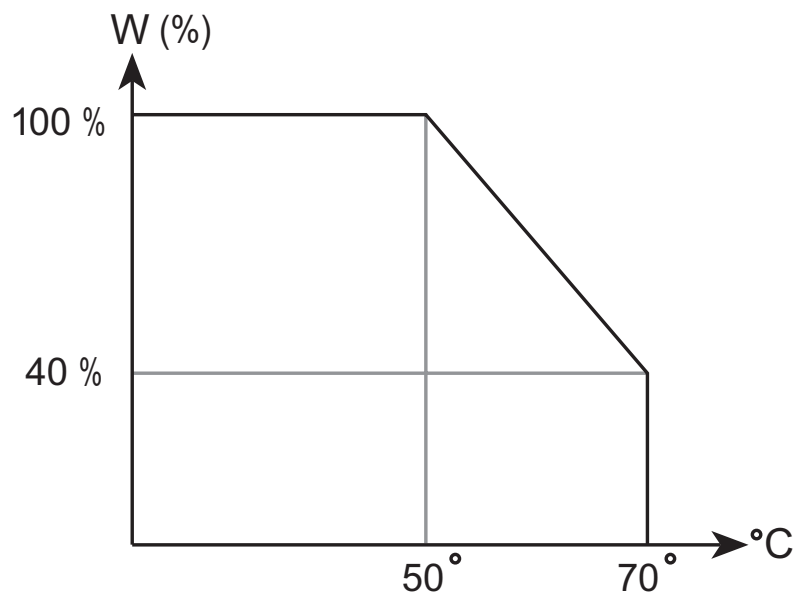
| TERMINAL CONNECTIONS | |
|----------------------|-------------|
| TERMINAL | DESCRIPTION |
| 1 | Initial |
| 2 | Wiper |
| 3 | Final |



RECOMMENDED CIRCUIT



POWER DERATING CURVE



REVISION HISTORY

| rev. | description | date |
|------|-----------------------------------|------------|
| 1.0 | initial release | 10/27/2022 |
| 1.01 | updated taper detail | 01/15/2024 |
| 1.02 | updated datasheet | 04/16/2024 |
| 1.03 | CUI Devices rebranded to Same Sky | 09/12/2024 |

The revision history provided is for informational purposes only and is believed to be accurate.



Same Sky offers a one (1) year limited warranty. Complete warranty information is listed on our website.

Same Sky reserves the right to make changes to the product at any time without notice. Information provided by Same Sky is believed to be accurate and reliable. However, no responsibility is assumed by Same Sky for its use, nor for any infringements of patents or other rights of third parties which may result from its use.

Same Sky products are not authorized or warranted for use as critical components in equipment that requires an extremely high level of reliability. A critical component is any component of a life support device or system whose failure to perform can be reasonably expected to cause the failure of the life support device or system, or to affect its safety or effectiveness.

[sameskydevices.com](https://www.sameskydevices.com)