


MODEL: PJ-112AH | **DESCRIPTION:** DC POWER JACK

FEATURES

- 2.0 mm center pin
- wave solder


SPECIFICATIONS

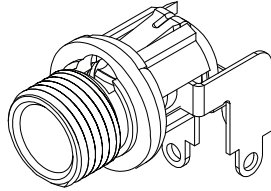
parameter	conditions/description	min	typ	max	units
rated input voltage			12		Vdc
rated input current				5	A
contact resistance				30	mΩ
insulation resistance	at 500 Vdc	100			MΩ
voltage withstand	for 1 minute			500	Vac
insertion/withdrawal force		0.3		3	kg
operating temperature		-20		70	°C
storage temperature		-40		85	°C
life			5,000		cycles
flammability rating	UL94V-0				
RoHS	yes				

SOLDERABILITY

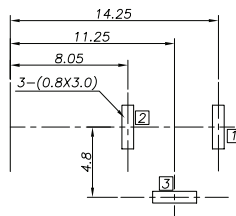
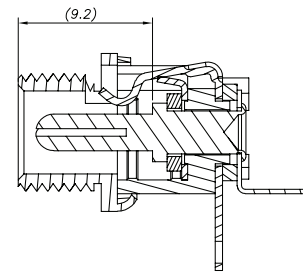
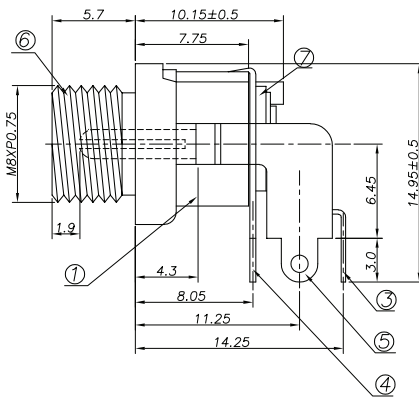
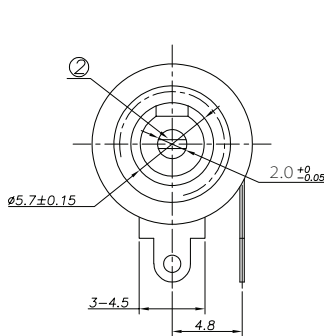
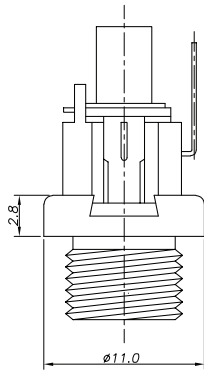
parameter	conditions/description	min	typ	max	units
wave soldering	dipped in solder pot for 4~6 seconds		250		°C

MECHANICAL DRAWING

units: mm
 tolerance:
 X.X ±0.50 mm
 X.XX ±0.30 mm
 X.XXX ±0.15 mm
 PCB: ±0.05 mm
 unless otherwise specified

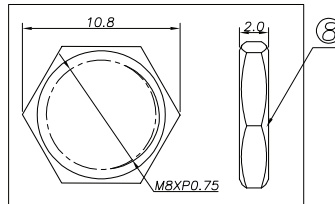


ITEM	DESCRIPTION	MATERIAL	PLATING/COLOR
1	housing	PBT (UL94V-0)	black
2	center pin	brass	10 μ" CuSn
3	terminal 1	brass	8 μ" silver
4	terminal 2	phosphor bronze	8 μ" silver
5	terminal 3	phosphor bronze	8 μ" silver
6	bushing	brass	10 μ" CuSn
7	washer 1	bakelite	---
8	nut	brass	40 μ" nickel
9	washer 2	brass	40 μ" nickel

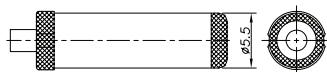
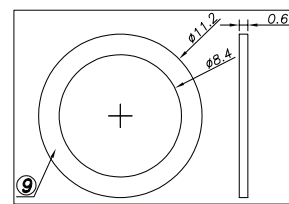


Recommended PCB Layout
Top View

Nut:



Washer:



MATING PLUG
Jack Insertion Depth: 9.2 mm

Schematic	
Model	PJ-112AH
Center Pin	∅2.0 mm

REVISION HISTORY

rev.	description	date
1.0	initial release	09/30/2024

The revision history provided is for informational purposes only and is believed to be accurate.



Same Sky offers a one (1) year limited warranty. Complete warranty information is listed on our website.

Same Sky reserves the right to make changes to the product at any time without notice. Information provided by Same Sky is believed to be accurate and reliable. However, no responsibility is assumed by Same Sky for its use, nor for any infringements of patents or other rights of third parties which may result from its use.

Same Sky products are not authorized or warranted for use as critical components in equipment that requires an extremely high level of reliability. A critical component is any component of a life support device or system whose failure to perform can be reasonably expected to cause the failure of the life support device or system, or to affect its safety or effectiveness.

[sameskydevices.com](https://www.sameskydevices.com)