



MODEL: PJ-083BH | **DESCRIPTION:** DC POWER JACK

FEATURES

- 2.5 mm center pin
- 5 A rating
- shielded
- through hole
- 1 switch



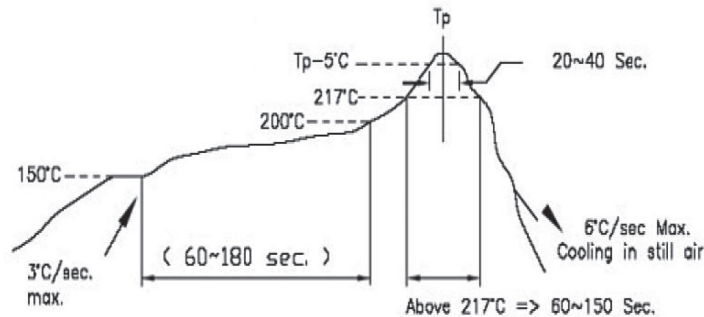
SPECIFICATIONS

| parameter | conditions/description | min | typ | max | units |
|----------------------------|--|-----|-------|----------|----------|
| rated input voltage | | | 24 | | Vdc |
| rated input current | | | | 5.0 | A |
| contact resistance | between terminal and mating plug between terminal in a closed circuit | | | 50 30 | mΩ mΩ |
| insulation resistance | at 500 Vdc | 100 | | | MΩ |
| voltage withstand | for 1 minute | | | 500 | Vac |
| insertion/withdrawal force | | 0.5 | | 2 | kg |
| operating temperature | | -25 | | 85 | °C |
| life | at a rate of 10~20 cycles | | 5,000 | | cycles |
| flammability rating | UL94V-0 | | | | |
| RoHS | yes | | | | |

SOLDERABILITY

| parameter | conditions/description | min | typ | max | units |
|--------------------------------|--|-----|-----|-----|-------|
| reel storage | 10~30°C, <70% humidity | | | | °C |
| reflow soldering ¹ | see reflow profile | 255 | 260 | | °C |
| drying conditions ² | parts in reel: bake at 110°C for 4 hours parts removed from reel: bake at 110°C for 4 hours | | | | |

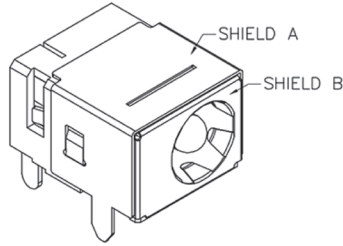
Note: 1. Same Sky recommends to solder within 72 hours from opening vacuum packaging at a temperature <30°C & relative humidity <60%.
2. When exceeding floor life by >240 hours.



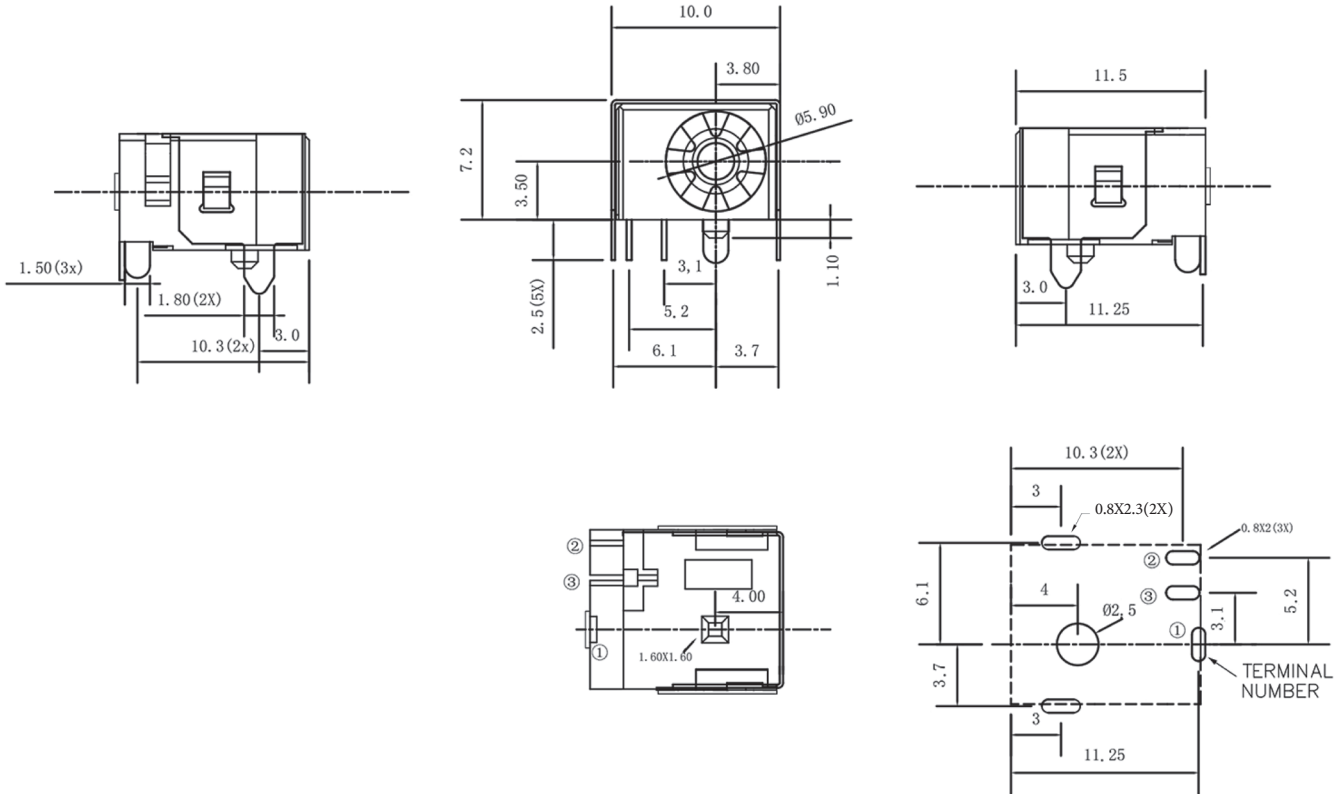
* Time 25°C to Peak Temp. ---- 8 Minutes Max.
* Time within 5°C of Actual Peak Temp. -- 20~40 Seconds

MECHANICAL DRAWING

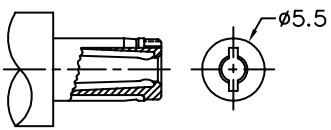
units: mm
 tolerance:
 X.X ±0.20 mm
 X.XX ±0.10 mm
 X.XXX ±0.050 mm
 PCB: ±0.05 mm



| DESCRIPTION | MATERIAL | PLATING/COLOR |
|-------------|-----------------|---------------|
| center pin | copper | nickel |
| terminal 1 | brass | silver |
| terminal 2 | brass | silver |
| terminal 3 | brass | silver |
| shield A | brass | nickel |
| shield B | stainless steel | |
| insulator | PA10T (UL94V-0) | |



Recommended PCB Layout
Top View



MATING PLUG
Jack Insertion Depth: 8.2 mm

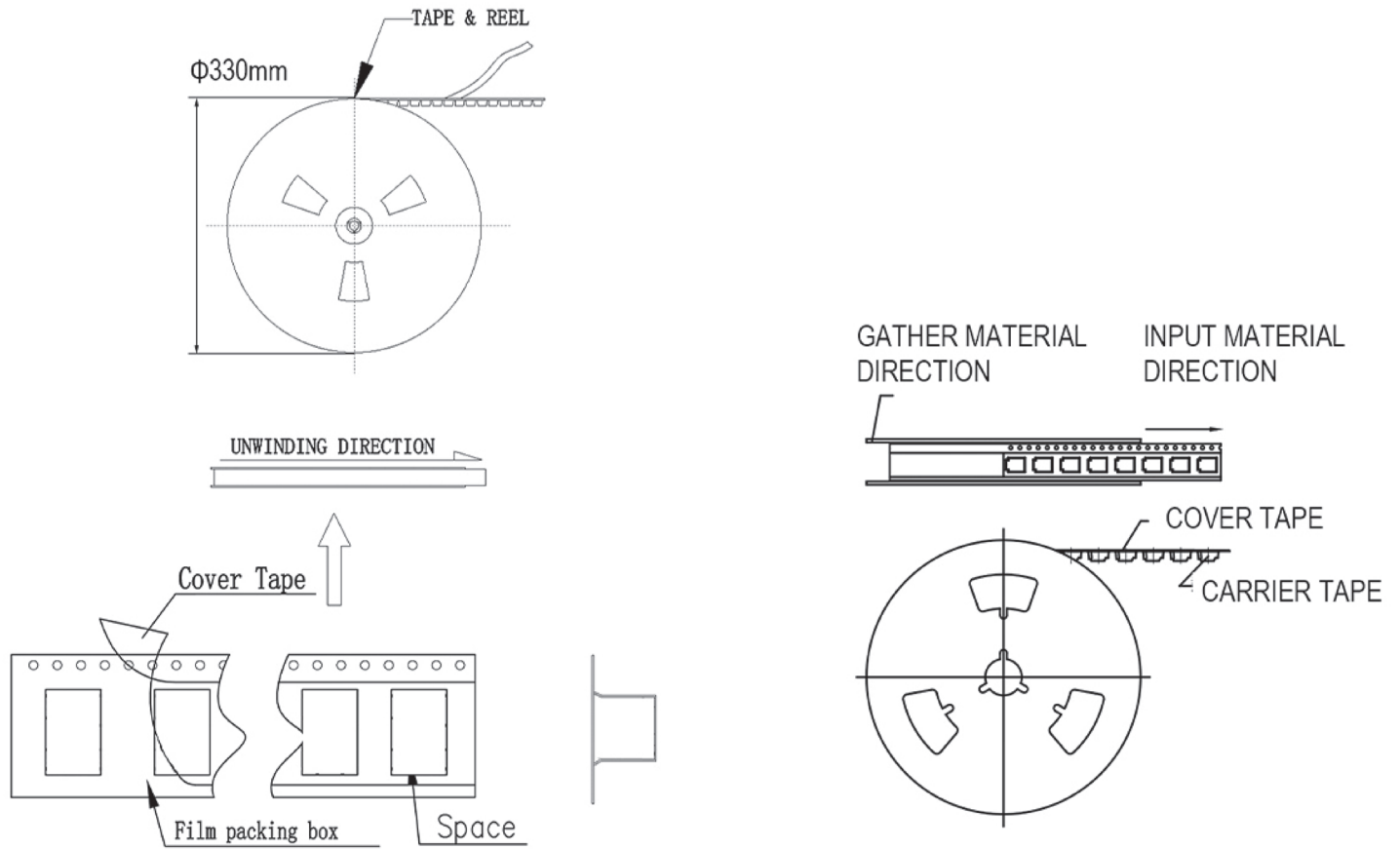
| | |
|------------|----------|
| SCHEMATIC | |
| Model | PJ-083BH |
| Center Pin | Ø2.5 mm |

PACKAGING

units: mm

Reel Size: $\varnothing 330$ mm

Reel QTY: 400 pcs per reel



REVISION HISTORY

| rev. | description | date |
|------|---|------------|
| 1.0 | initial release | 12/12/2018 |
| 1.01 | brand update | 10/31/2019 |
| 1.02 | logo, datasheet style update | 08/05/2022 |
| 1.03 | product reengineered for improved manufacturability and production yield, see PCN for details | 10/11/2023 |
| 1.04 | CUI Devices rebranded to Same Sky | 09/12/2024 |

The revision history provided is for informational purposes only and is believed to be accurate.



Same Sky offers a one (1) year limited warranty. Complete warranty information is listed on our website.

Same Sky reserves the right to make changes to the product at any time without notice. Information provided by Same Sky is believed to be accurate and reliable. However, no responsibility is assumed by Same Sky for its use, nor for any infringements of patents or other rights of third parties which may result from its use.

Same Sky products are not authorized or warranted for use as critical components in equipment that requires an extremely high level of reliability. A critical component is any component of a life support device or system whose failure to perform can be reasonably expected to cause the failure of the life support device or system, or to affect its safety or effectiveness.

[sameskydevices.com](https://www.sameskydevices.com)