

MODEL: PJ-042 | **DESCRIPTION:** DC POWER JACK**FEATURES**

- 1.65 mm center pin
- 2.5 A rating
- right angle orientation
- through hole with panel slots
- kinked pins

**SPECIFICATIONS**

parameter	conditions/description	min	typ	max	units
rated input voltage			24		Vdc
rated input current				2.5	A
contact resistance				30	mΩ
insulation resistance	at 500 Vdc	100			MΩ
voltage withstand	for 1 minute			500	Vac
insertion/withdrawal force		0.3		3	kg
operating temperature		-25		85	°C
life			5,000		cycles
flammability rating	UL94V-0				
RoHS	yes				

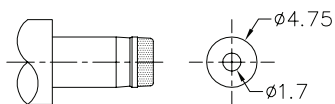
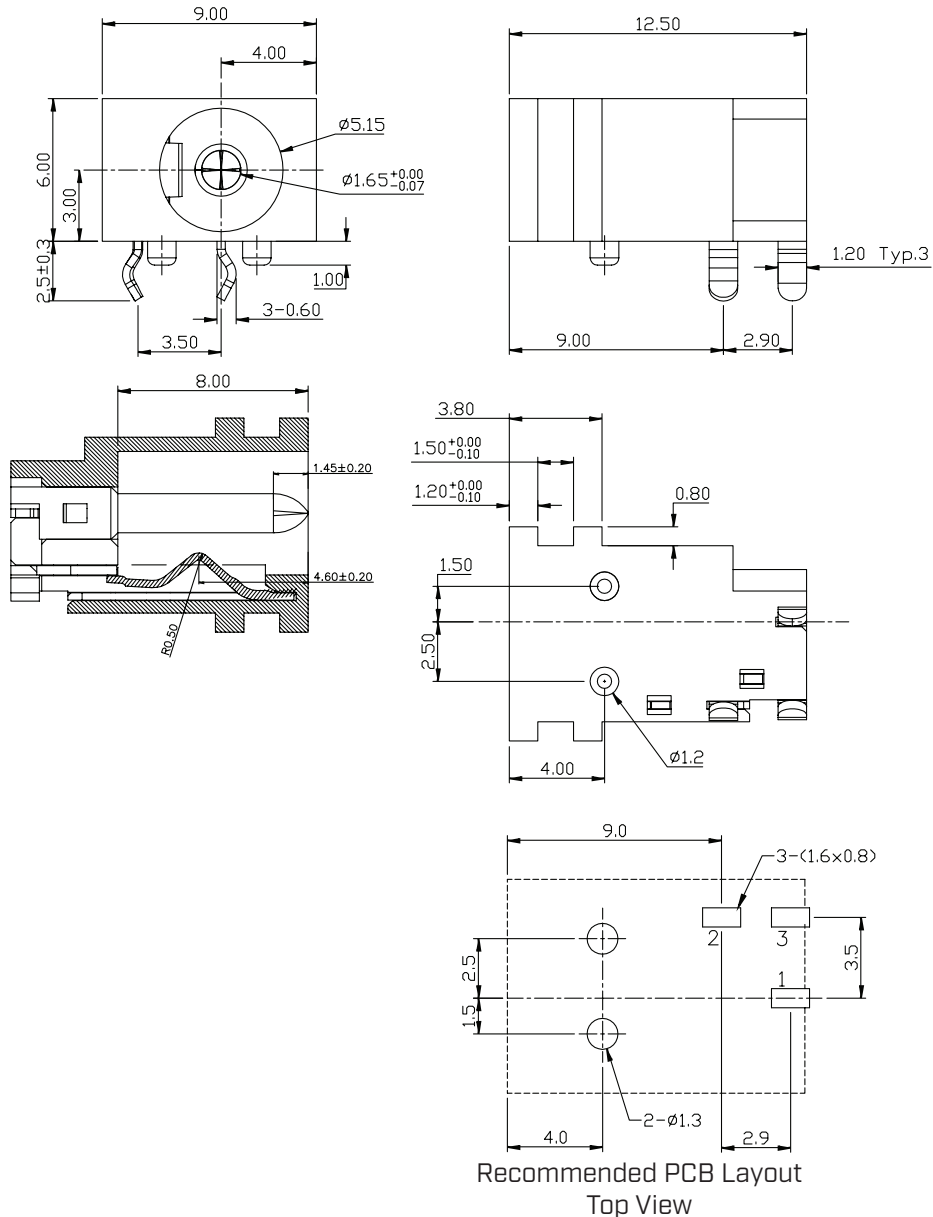
SOLDERABILITY

parameter	conditions/description	min	typ	max	units
wave soldering	dipped in solder pot for 5 ±0.5 seconds	255	260	265	°C

MECHANICAL DRAWING

units: mm
 tolerance:
 X. ± 0.50 mm
 X.X ± 0.30 mm
 X.XX ± 0.15 mm
 X.XXX ± 0.10 mm
 unless otherwise specified

DESCRIPTION	MATERIAL	PLATING/COLOR
center pin	bronze	tin
terminal 1	bronze t=0.35	tin
terminal 2	Be-Cu t=0.30	tin
terminal 3	brass t=0.40	tin
housing	PA66+30%GF [UL94V-0]	black



MATING PLUG
 Jack Insertion Depth: 8.0 mm

SCHEMATIC	
Model	PJ-042
Center Pin	Ø1.65 mm

REVISION HISTORY

rev.	description	date
1.0	initial release	07/30/2007
1.01	applied new spec template	01/14/2015
1.02	increased voltage rating	04/14/2016
1.03	logo, datasheet style update	08/05/2022
1.04	product reengineered for improved manufacturability and production yield, see PCN for details	07/07/2023
1.05	product reengineered for improved manufacturability and production yield, see PCN for details	06/18/2024
1.06	CUI Devices rebranded to Same Sky	09/12/2024

The revision history provided is for informational purposes only and is believed to be accurate.



Same Sky offers a one (1) year limited warranty. Complete warranty information is listed on our website.

Same Sky reserves the right to make changes to the product at any time without notice. Information provided by Same Sky is believed to be accurate and reliable. However, no responsibility is assumed by Same Sky for its use, nor for any infringements of patents or other rights of third parties which may result from its use.

Same Sky products are not authorized or warranted for use as critical components in equipment that requires an extremely high level of reliability. A critical component is any component of a life support device or system whose failure to perform can be reasonably expected to cause the failure of the life support device or system, or to affect its safety or effectiveness.

[sameskydevices.com](https://www.sameskydevices.com)