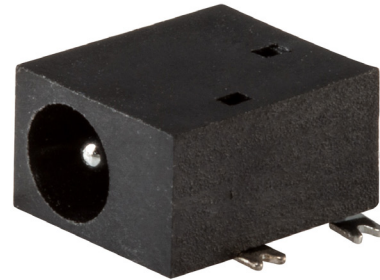




**MODEL:** PJ-014CH-SMT-TR | **DESCRIPTION:** DC POWER JACK

**FEATURES**

- low profile
- 3.5 A current rating

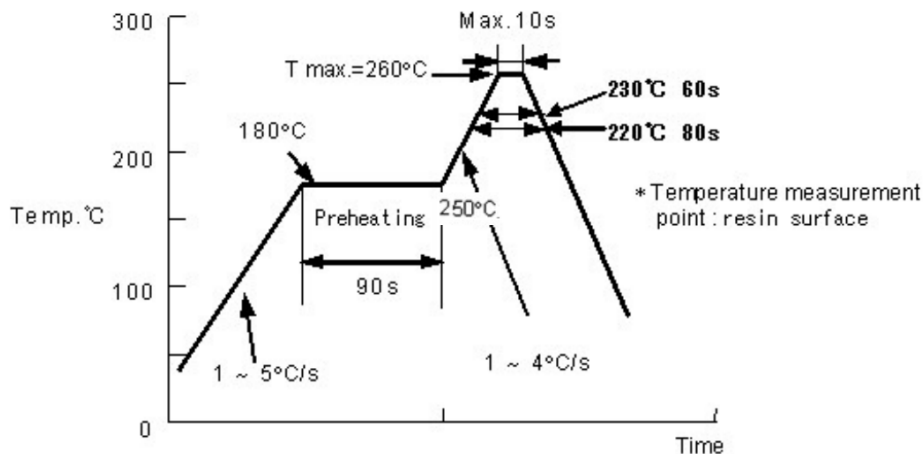


**SPECIFICATIONS**

| parameter                  | conditions/description | min | typ   | max | units  |
|----------------------------|------------------------|-----|-------|-----|--------|
| rated input voltage        |                        |     | 24    |     | Vdc    |
| rated input current        |                        |     |       | 3.5 | A      |
| contact resistance         |                        |     |       | 30  | mΩ     |
| insulation resistance      | at 500 Vdc             | 100 |       |     | MΩ     |
| voltage withstand          | for 1 minute           |     |       | 500 | Vac    |
| insertion/withdrawal force |                        | 0.3 |       | 3   | kg     |
| operating temperature      |                        | -25 |       | 80  | °C     |
| life                       |                        |     | 5,000 |     | cycles |
| flammability rating        | UL94V-0                |     |       |     |        |
| RoHS                       | yes                    |     |       |     |        |

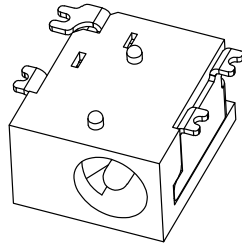
**SOLDERABILITY**

| parameter         | conditions/description    | min | typ | max | units |
|-------------------|---------------------------|-----|-----|-----|-------|
| reel storage      | 5~35°C, <75% humidity     |     |     |     | °C    |
| reflow soldering  | see reflow profile        |     |     | 260 | °C    |
| drying conditions | bake at 120°C for 4 hours |     |     |     |       |

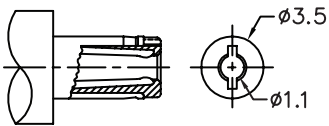
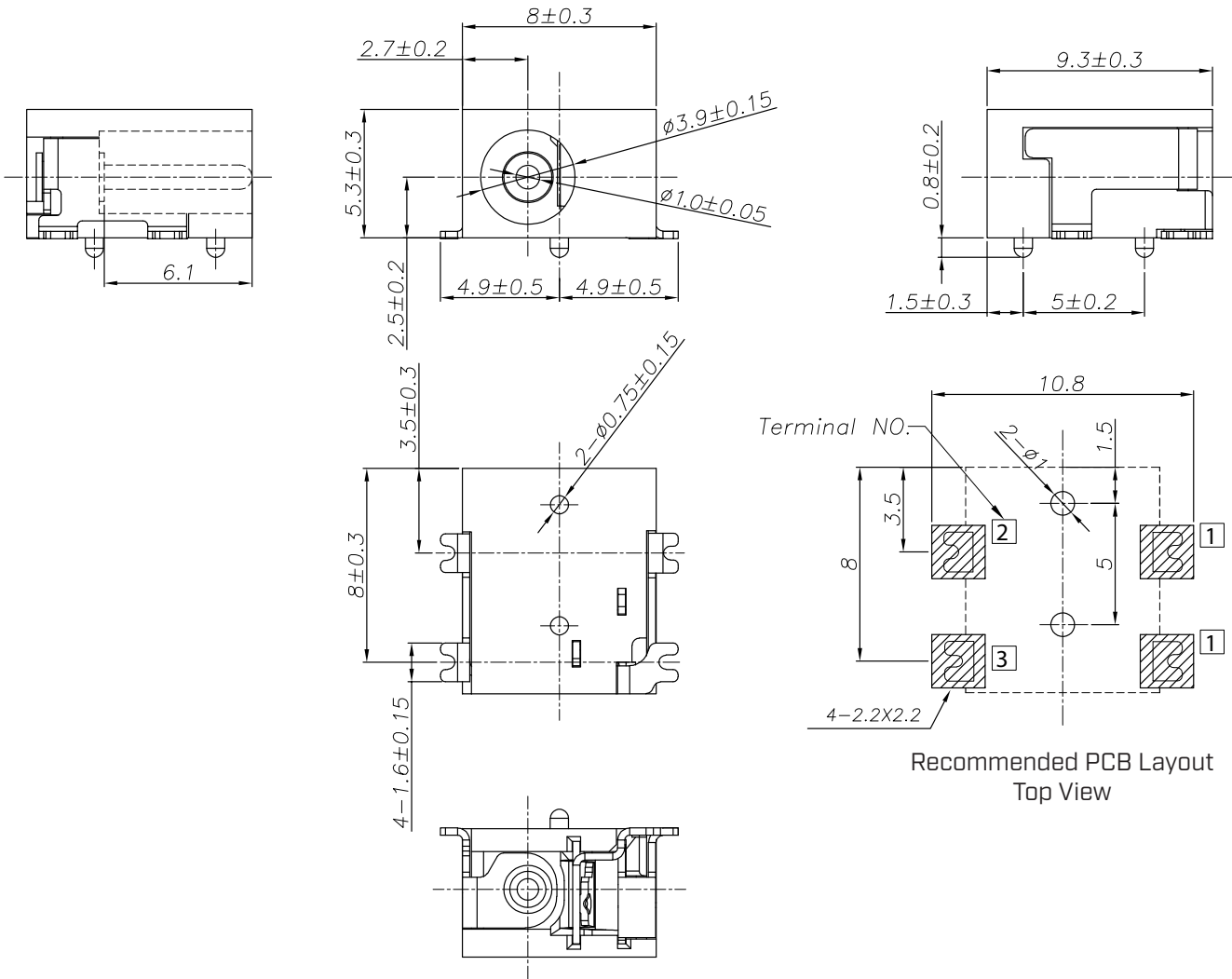


## MECHANICAL DRAWING

units: mm  
 tolerance:  $\pm 0.30$  mm  
 PCB:  $\pm 0.05$  mm  
 unless otherwise specified



| DESCRIPTION | MATERIAL               | PLATING/COLOR |
|-------------|------------------------|---------------|
| center pin  | brass                  | CuSn          |
| terminal 1  | brass t=0.30           | silver        |
| terminal 2  | phosphor bronze t=0.30 | silver        |
| terminal 3  | brass t=0.30           | silver        |
| housing     | PA10T (UL94V-0)        | black         |



MATING PLUG  
 Jack Insertion Depth: 6.1 mm

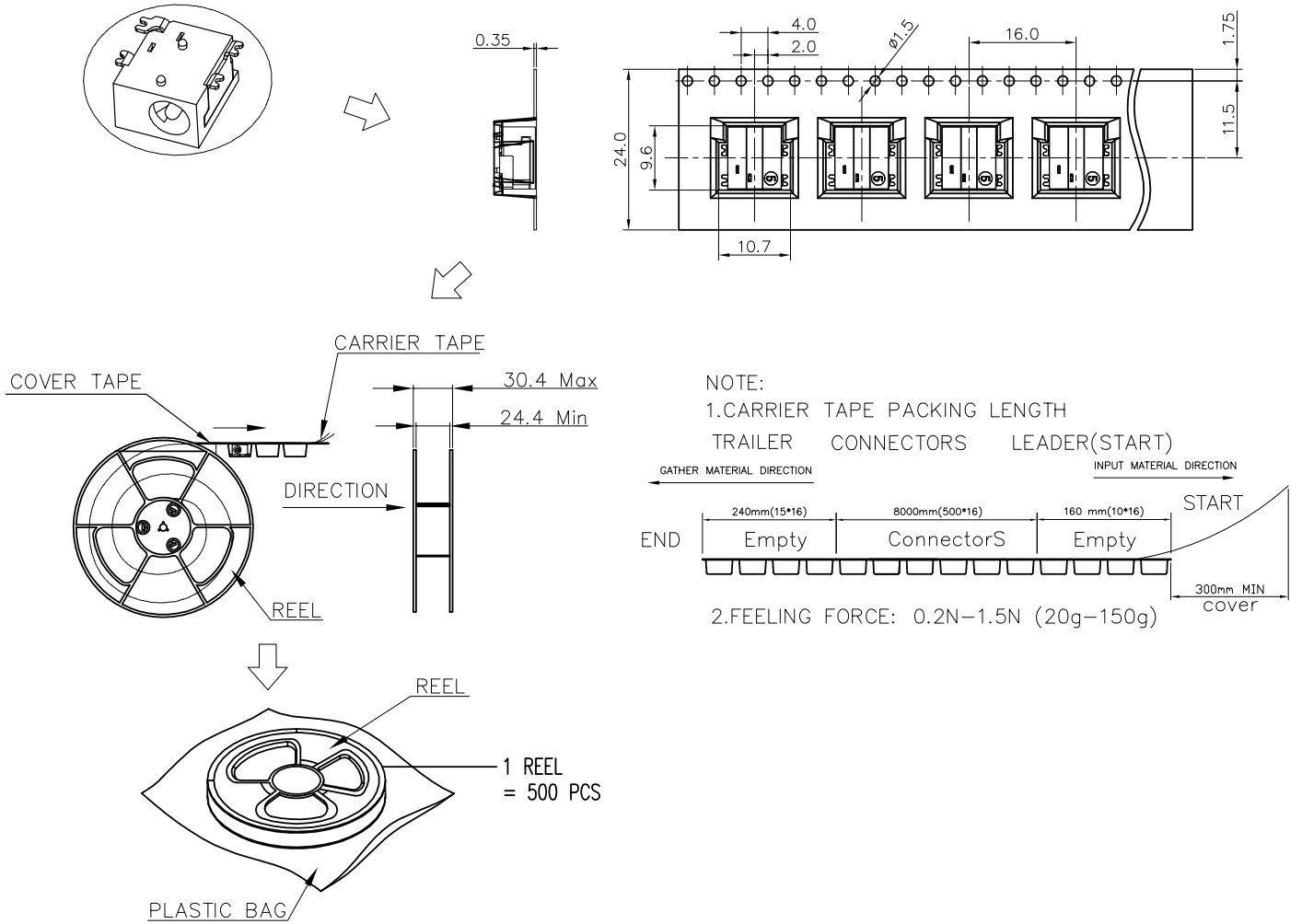
|            |                      |
|------------|----------------------|
| Schematic  | 1<br>3<br>2          |
| Model      | PJ-014CH-SMT-TR      |
| Center Pin | $\varnothing 1.0$ mm |

## PACKAGING

units: mm

Reel Size:  $\varnothing 330$  mm

Reel QTY: 500 pcs per reel



## REVISION HISTORY

| rev. | description   | date       |
|------|---|------------|
| 1.0  | initial release   | 10/13/2005 |
| 1.01 | added TR package option   | 11/07/2012 |
| 1.02 | updated template  | 11/19/2012 |
| 1.03 | increased voltage rating  | 04/28/2016 |
| 1.04 | added storage and drying conditions, and tape and reel packaging details                      | 08/30/2017 |
| 1.05 | brand update  | 10/23/2019 |
| 1.06 | logo, datasheet style update  | 08/05/2022 |
| 1.07 | product reengineered for improved manufacturability and production yield, see PCN for details | 12/19/2022 |
| 1.08 | product reengineered for improved manufacturability and production yield, see PCN for details | 04/17/2024 |
| 1.09 | CUI Devices rebranded to Same Sky   | 09/12/2024 |

The revision history provided is for informational purposes only and is believed to be accurate.



Same Sky offers a one (1) year limited warranty. Complete warranty information is listed on our website.

Same Sky reserves the right to make changes to the product at any time without notice. Information provided by Same Sky is believed to be accurate and reliable. However, no responsibility is assumed by Same Sky for its use, nor for any infringements of patents or other rights of third parties which may result from its use.

Same Sky products are not authorized or warranted for use as critical components in equipment that requires an extremely high level of reliability. A critical component is any component of a life support device or system whose failure to perform can be reasonably expected to cause the failure of the life support device or system, or to affect its safety or effectiveness.

[sameskydevices.com](https://www.sameskydevices.com)