


**MODEL:** MR-6330A | **DESCRIPTION:** AUDIO RECEPTACLE

**FEATURES**

- 2 conductor
- cable mount
- round cover


**SPECIFICATIONS**

parameter	conditions/description	min	typ	max	units
rated input voltage			12		Vdc
rated input current				1	A
contact resistance	between plug and receptacle			50	mΩ
insulation resistance	at 500 Vdc	100			MΩ
voltage withstand	for 1 minute			500	Vac
insertion force	when mating with a standard plug	0.5		4	kgf
withdrawal force	when mating with a standard plug	0.5		4	kgf
operating temperature		-25		70	°C
operating humidity				85	%
life			5,000		cycles
flammability rating	see material table				
RoHS	yes				

**SOLDERABILITY**

parameter	conditions/description	min	typ	max	units
hand soldering	for maximum 1 second	380	400	420	°C

## MECHANICAL DRAWING

units: mm

tolerance:

$X \leq 1.0$ :  $\pm 0.1$  mm

$1.0 < X \leq 6.0$ :  $\pm 0.2$  mm

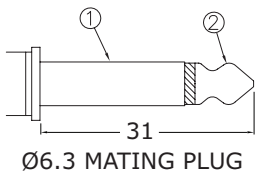
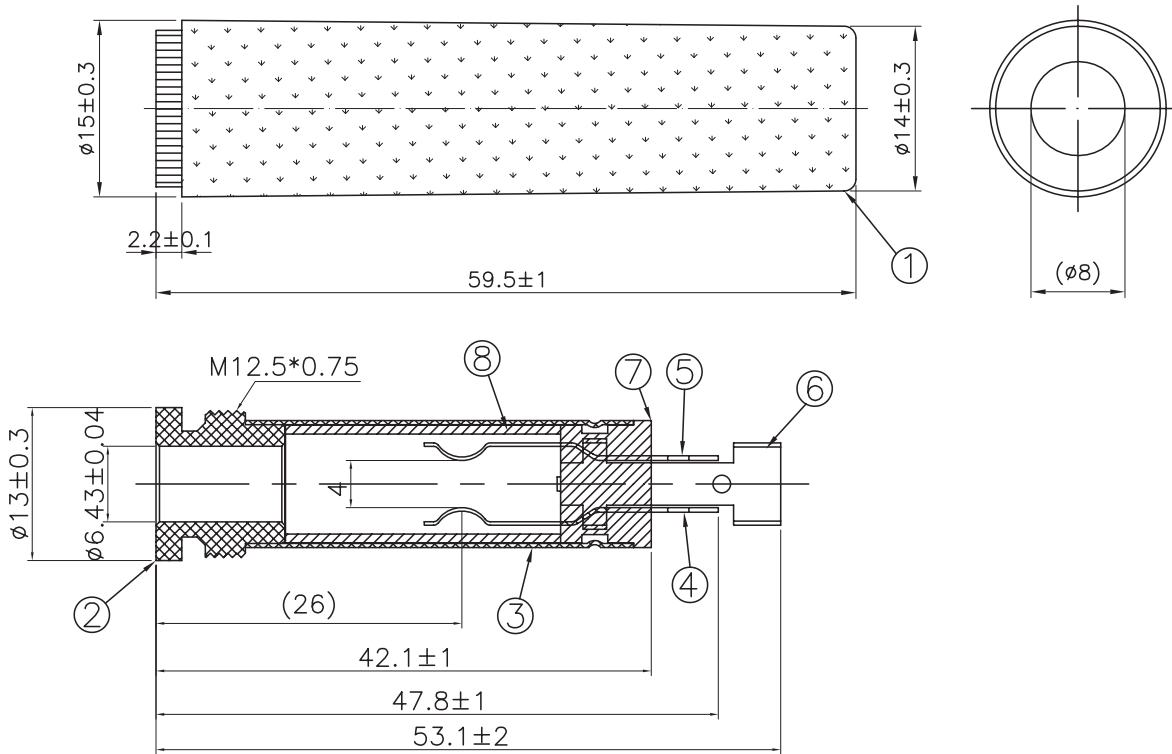
$6.0 < X \leq 12.0$ :  $\pm 0.3$  mm

$12.0 < X \leq 25.0$ :  $\pm 0.4$  mm

$X > 25.0$ :  $\pm 0.5$  mm

unless otherwise noted

ITEM	DESCRIPTION	MATERIAL	PLATING/COLOR
1	cover	ABS (UL94HB)	black
2	body	brass	nickel
3	internal body	brass	
4	terminal 2	phosphor bronze	gold
5	terminal 2	phosphor bronze	gold
6	crimp contact	brass	nickel
7	insulator	PBT (UL94HB)	black
8	plastic tube	TPR	natural



Model No.	MR-6330A
Schematic	
TERMINAL	
1	sleeve
2	tip

## REVISION HISTORY

rev.	description	date
1.0	initial release	06/15/2018
1.01	brand update	10/18/2019
1.02	logo, datasheet style update	08/18/2022
1.03	CUI Devices rebranded to Same Sky	09/12/2024

The revision history provided is for informational purposes only and is believed to be accurate.



Same Sky offers a one (1) year limited warranty. Complete warranty information is listed on our website.

Same Sky reserves the right to make changes to the product at any time without notice. Information provided by Same Sky is believed to be accurate and reliable. However, no responsibility is assumed by Same Sky for its use, nor for any infringements of patents or other rights of third parties which may result from its use.

Same Sky products are not authorized or warranted for use as critical components in equipment that requires an extremely high level of reliability. A critical component is any component of a life support device or system whose failure to perform can be reasonably expected to cause the failure of the life support device or system, or to affect its safety or effectiveness.

[sameskydevices.com](https://www.sameskydevices.com)