



MODEL: HD09-19-MSMT-TR | **DESCRIPTION:** HDMI RECEPTACLE

FEATURES

- HDMI 2.0
- 19 position
- tape & reel packaging
- reflow solder compatible



SPECIFICATIONS

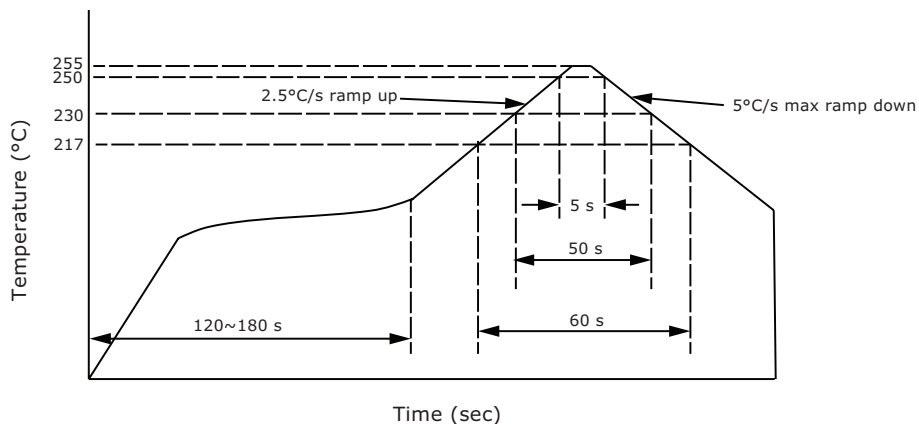
parameter	conditions/description	min	typ	max	units
HDMI standard	HDMI 2.0				
rated voltage				40	Vac
rated current				0.5	A
contact resistance ¹	between terminals and mating plug			30	mΩ
insulation resistance	at 500 Vdc	100			MΩ
voltage withstand	for 1 minute		500		Vac
insertion force				4.5	kgf
withdrawal force		1		4.0	kgf
life			5,000		cycles
operating temperature		-25		85	°C
flammability rating	UL94V-0				
RoHS	yes				

Note: 1. When measured at 20 mV / 100 mA.
 2. All specifications measured at 10-35°C, humidity at 45-85%, under standard atmospheric pressure, unless otherwise noted.

SOLDERABILITY

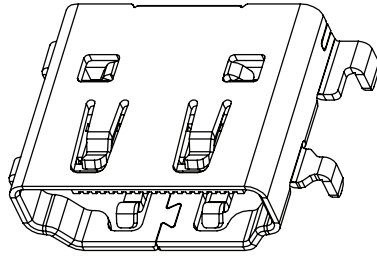
parameter	conditions/description	min	typ	max	units
reel storage	at relative humidity 65-70%	25		30	°C
reflow soldering ³	see reflow profile		255	260	°C

Note: 3. It is recommended to reflow solder within 3 months from opening vacuum packaging at a temperature of 25-30°C & relative humidity 65-70%.

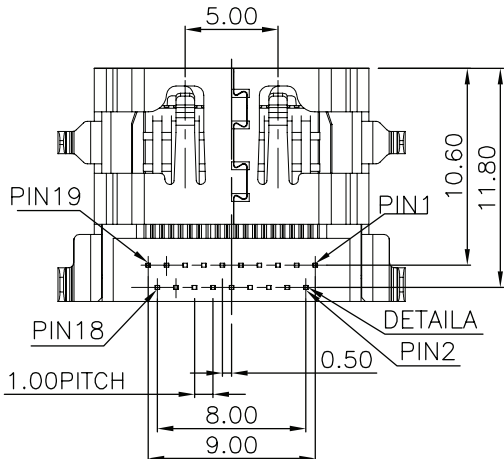
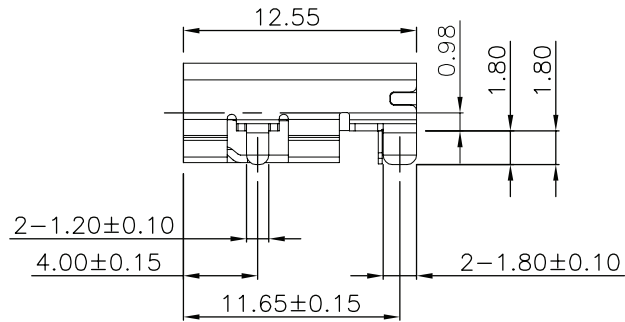
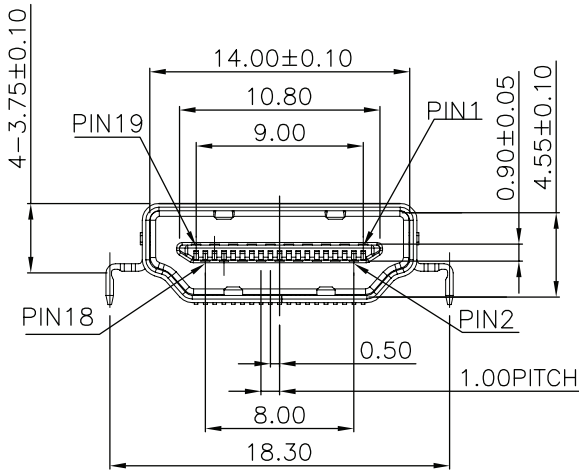
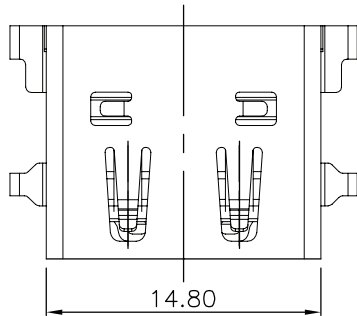


MECHANICAL DRAWING

units: mm
 tolerance:
 X. ± 0.38 mm
 X.X ± 0.25 mm
 X.XX ± 0.20 mm
 X.XXX ± 0.10 mm
 unless otherwise specified



DESCRIPTION	MATERIAL	PLATING/COLOR
insulator	LCP (UL94V-0)	black
contact	copper alloy	gold flash
shell	stainless steel	nickel



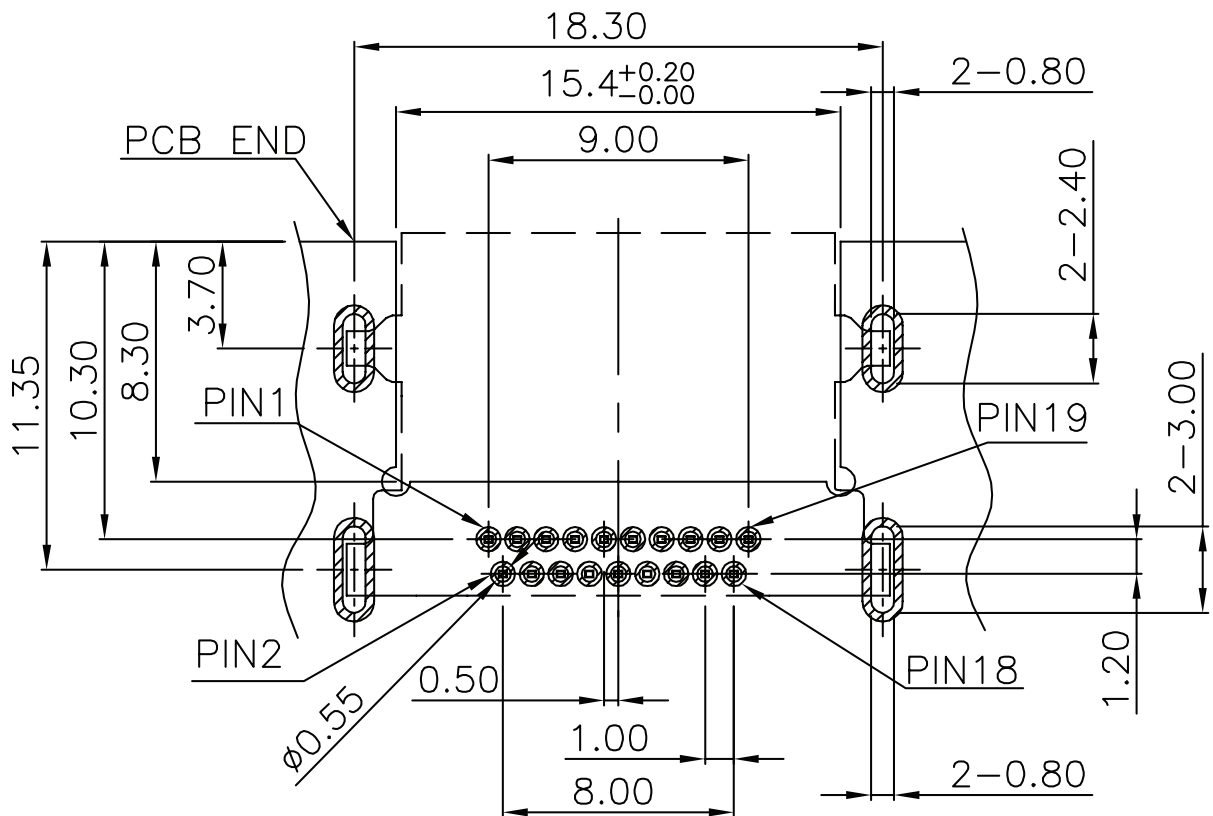
MECHANICAL DRAWING (CONTINUED)

units: mm

PCB tolerance: ± 0.05 mm

PCB thickness: 1.60 mm

PIN CONNECTIONS					
PIN	SIGNAL NAME	MATING SEQUENCE	PIN	SIGNAL NAME	MATING SEQUENCE
1	TMDS Data2+	SECOND	2	TMDS Data2 Shield	SECOND
3	TMDS Data2-	SECOND	4	TMDS Data1+	SECOND
5	TMDS Data1 Shield	SECOND	6	TMDS Data-	SECOND
7	TMDS Data0+	SECOND	8	TMDS Data0 Shield	SECOND
9	TMDS Data0-	SECOND	10	TMDS Clock+	SECOND
11	TMDS Clock Shield	SECOND	12	TMDS Clock-	SECOND
13	CEC	SECOND	14	Utility	SECOND
15	SCL	SECOND	16	SDA	SECOND
17	DDC/CEC Ground	SECOND	18	+5V Power	THIRD
19	Hot Plug Detect	SECOND			
SHELL/SHIELD		FIRST			



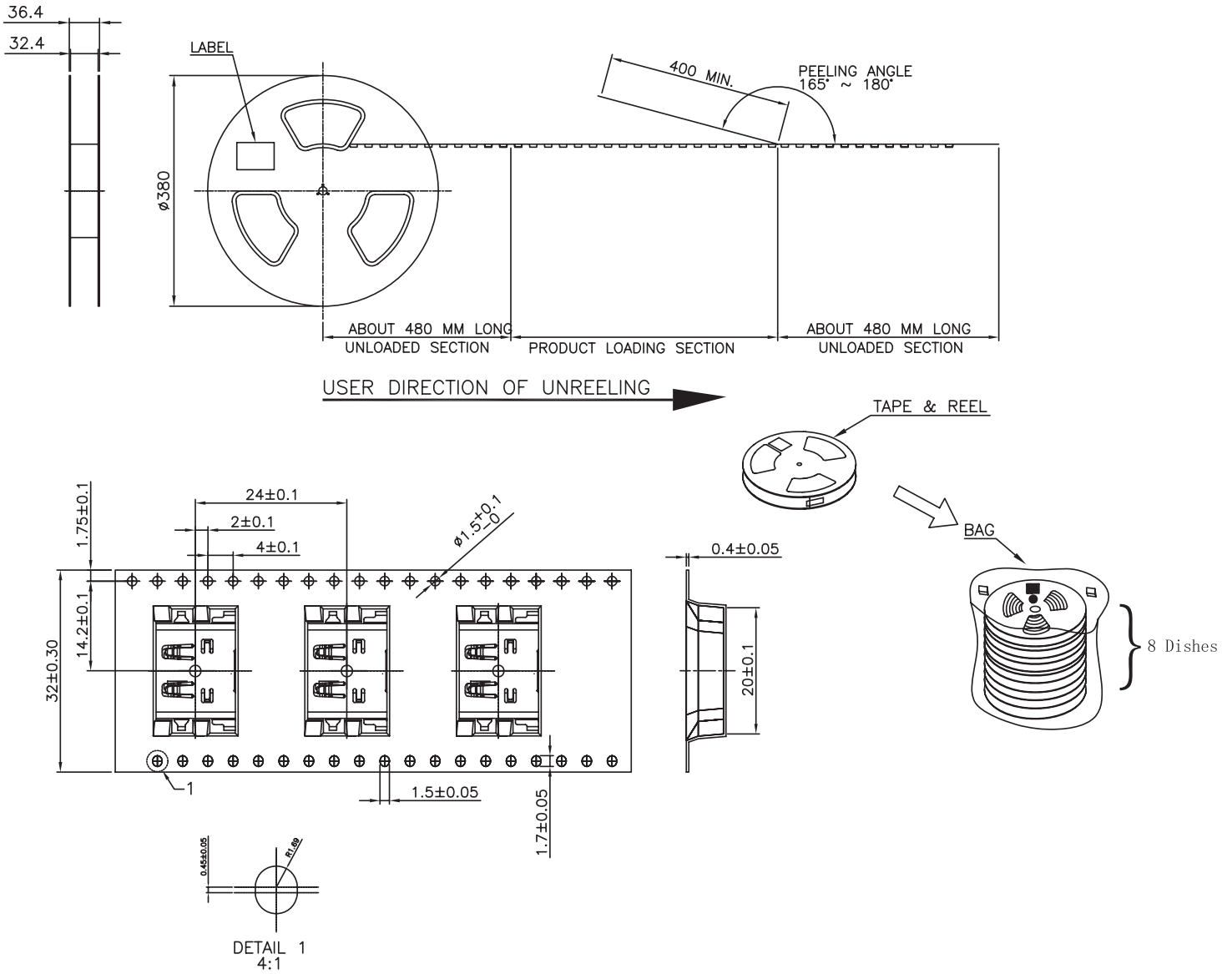
Recommended PCB Layout
Top View

PACKAGING

units: mm

Reel Size: $\varnothing 380$ mm

Reel QTY: 500 pcs per reel



REVISION HISTORY

rev.	description	date
1.0	initial release	07/28/2023
1.01	CUI Devices rebranded to Same Sky	09/12/2024

The revision history provided is for informational purposes only and is believed to be accurate.



Same Sky offers a one (1) year limited warranty. Complete warranty information is listed on our website.

Same Sky reserves the right to make changes to the product at any time without notice. Information provided by Same Sky is believed to be accurate and reliable. However, no responsibility is assumed by Same Sky for its use, nor for any infringements of patents or other rights of third parties which may result from its use.

Same Sky products are not authorized or warranted for use as critical components in equipment that requires an extremely high level of reliability. A critical component is any component of a life support device or system whose failure to perform can be reasonably expected to cause the failure of the life support device or system, or to affect its safety or effectiveness.

[sameskydevices.com](https://www.sameskydevices.com)