

MODEL: GA0401 | DESCRIPTION: SPEAKER

FEATURES

- 40 mm round frame
- rated 0.2 W
- 8 Ohm
- AlNiCo magnet
- paper cone

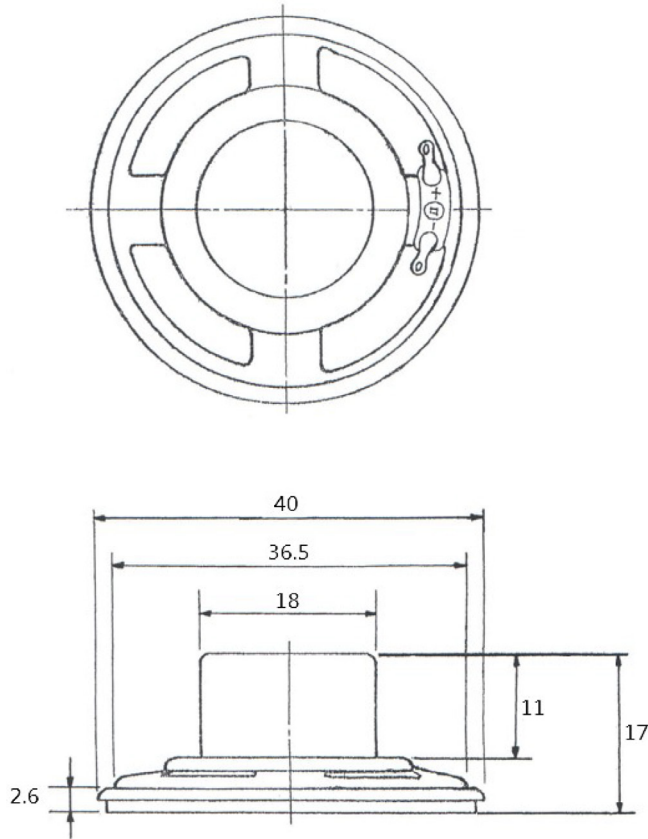


SPECIFICATIONS

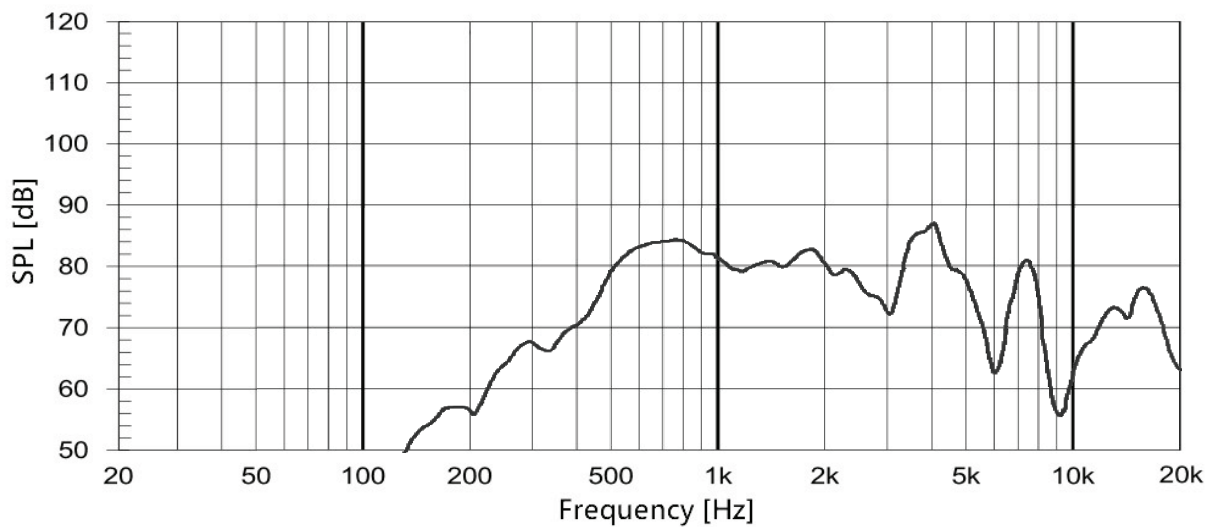
parameter	conditions/description	min	typ	max	units
input power			0.2	0.3	W
impedance		6.8	8	9.2	Ω
resonant frequency (Fo)		440	550	660	Hz
frequency response		F0		6,000	Hz
sound pressure level	at 0.2 W, 50 cm, avg at 1.0, 1.4, 1.7, 2.0 kHz	79	82	85	dB
distortion	at 1.0 kHz, rated power			10	%
buzz, rattle, etc.	must be normal at sine wave			1.26	V
dimensions	\varnothing 40 x 17				mm
magnet	AlNiCo				
terminal	solder eyelets				
weight			22.5		g
operating temperature		-25		60	$^{\circ}$ C
RoHS	yes				

MECHANICAL DRAWING

units: mm
tolerance: ± 0.5 mm



FREQUENCY RESPONSE CURVE



REVISION HISTORY

rev.	description	date
1.0	initial release	01/27/2003
1.01	logo, datasheet style update	10/21/2022
1.02	CUI Devices rebranded to Same Sky	09/11/2024

The revision history provided is for informational purposes only and is believed to be accurate.



Same Sky offers a one (1) year limited warranty. Complete warranty information is listed on our website.

Same Sky reserves the right to make changes to the product at any time without notice. Information provided by Same Sky is believed to be accurate and reliable. However, no responsibility is assumed by Same Sky for its use, nor for any infringements of patents or other rights of third parties which may result from its use.

Same Sky products are not authorized or warranted for use as critical components in equipment that requires an extremely high level of reliability. A critical component is any component of a life support device or system whose failure to perform can be reasonably expected to cause the failure of the life support device or system, or to affect its safety or effectiveness.

[sameskydevices.com](https://www.sameskydevices.com)