

MODEL: UJ2-MIBH-2-SMT-TR-67 | DESCRIPTION: USB RECEPTACLE

FEATURES

- IP67 waterproof
- USB micro B type receptacle
- USB 2.0
- surface mount
- mounting tabs



SPECIFICATIONS

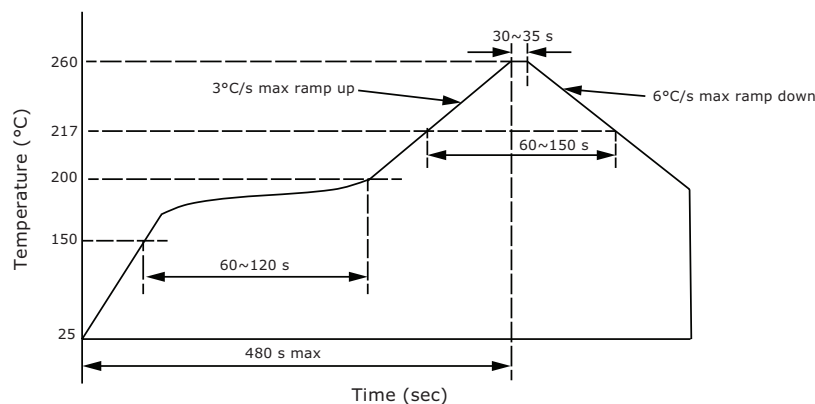
| parameter | conditions/description | min | typ | max | units |
|---------------------------------|--|-----|--------|-----|--------|
| USB standard | USB 2.0 | | | | |
| rated input voltage | | | | 30 | Vdc |
| rated input current | | | | 1.8 | A |
| contact resistance ¹ | between terminals and mating plug | | | 30 | mΩ |
| insulation resistance | at 500 Vdc between adjacent contacts | 100 | | | MΩ |
| voltage withstand | for 1 minute between adjacent contacts | | | 100 | Vac |
| insertion force | at a rate of 12.5 mm/min | | | 20 | N |
| withdrawal force | at a rate of 12.5 mm/min | 7 | | | N |
| life | at a rate of 500 cycles per hour | | 10,000 | | cycles |
| operating temperature | | -30 | | 85 | °C |
| flammability rating | UL94V-0 | | | | |
| RoHS | yes | | | | |
| IP level | IP67 | | | | |

Note: 1. When measured at 20 mV max / 100 mA.

SOLDERABILITY

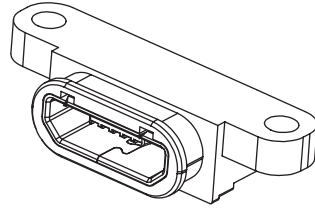
| parameter | conditions/description | min | typ | max | units |
|-------------------------------|---------------------------|-----|-----|-----|-------|
| reel storage | at relative humidity <60% | | | 30 | °C |
| reflow soldering ² | see reflow profile | | 260 | 270 | °C |

Note: 2. It is recommended to reflow solder within 72 hours from opening vacuum packaging at a temperature <30°C & relative humidity <60%.

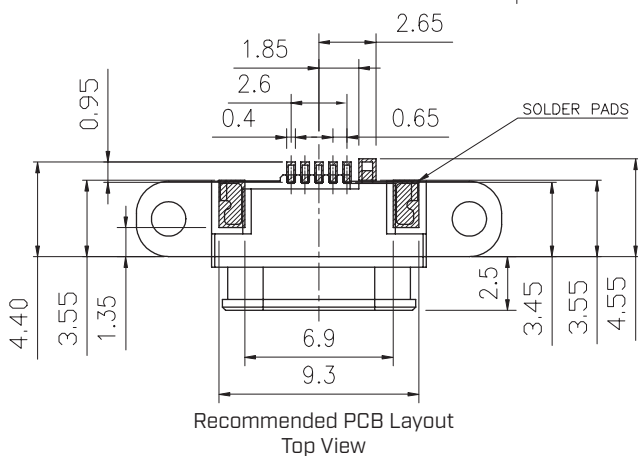
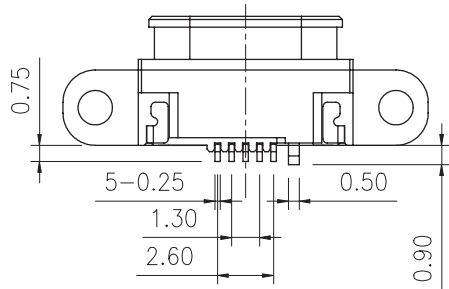
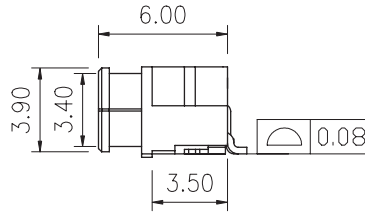
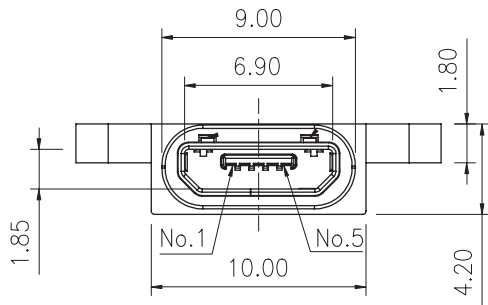
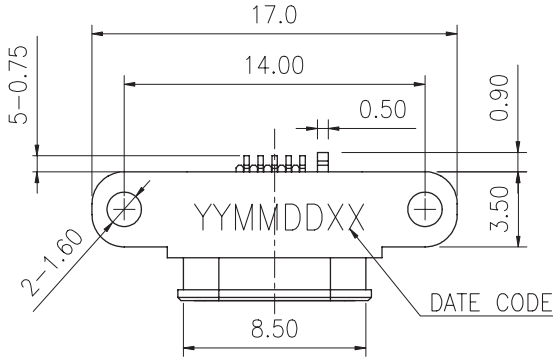


MECHANICAL DRAWING

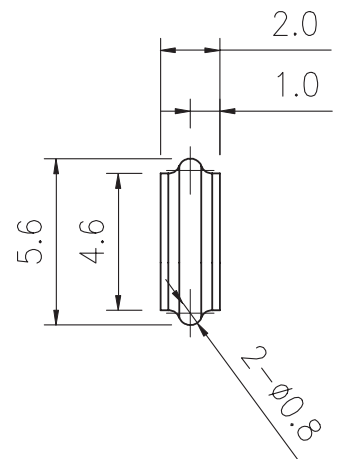
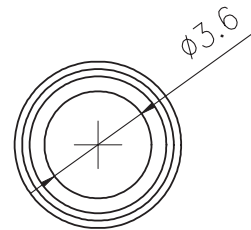
units: mm
 tolerance:
 X.X ±0.20 mm
 X.XX ±0.1 mm
 X.XXX ±0.05 mm
 PCB: ±0.05 mm



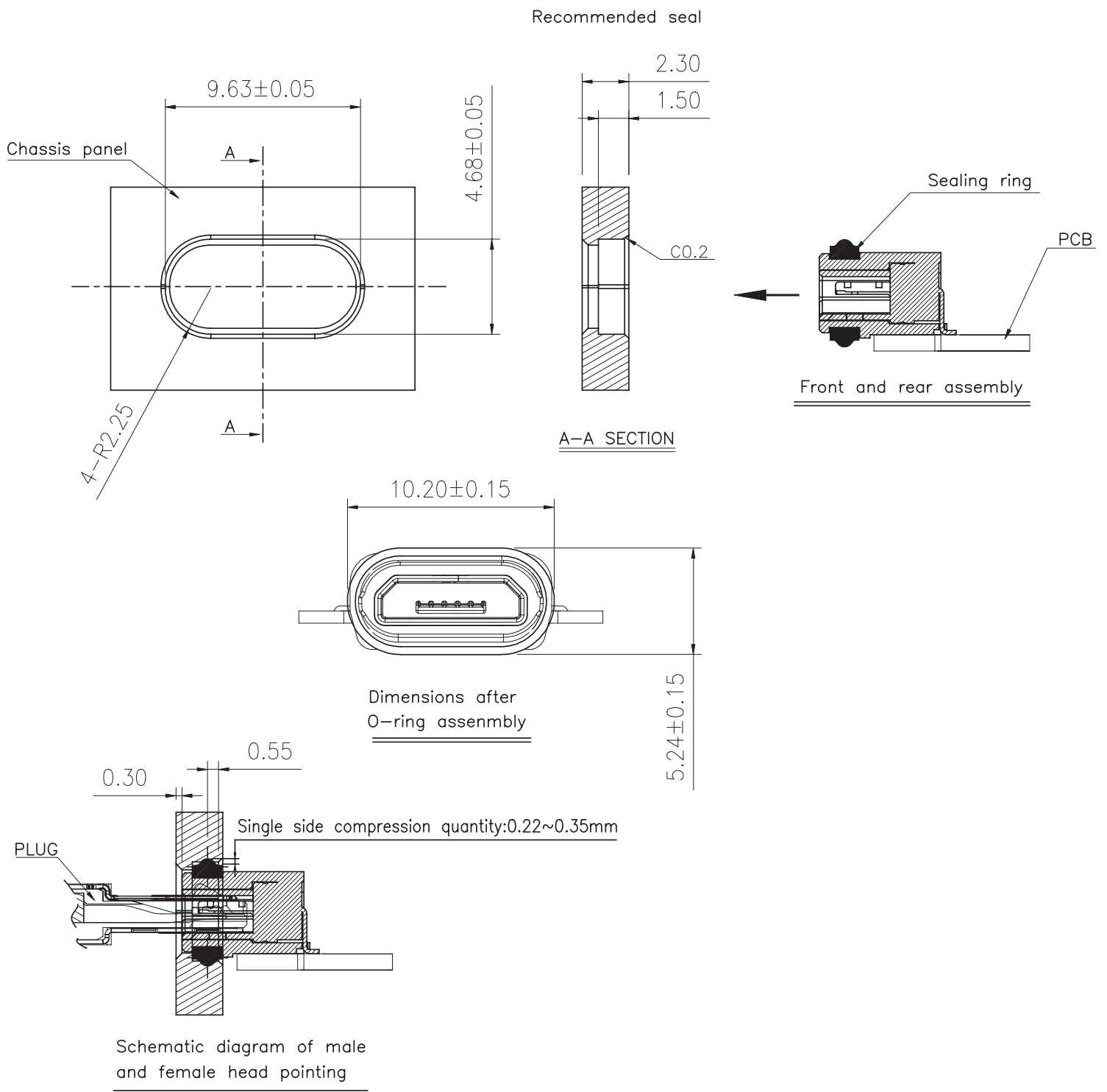
| | MATERIAL | PLATING |
|------------------|-----------------|---|
| hold down | stainless steel | matte tin |
| shell | stainless steel | matte tin |
| contact | PBS | contact: 10 μ" gold solder: gold flash |
| out side housing | PA-9T | black |
| housing | PA-9T | black |
| o-ring (OR-50) | silicone | black |



O-ring (P/N: OR-50)



ASSEMBLY REFERENCE

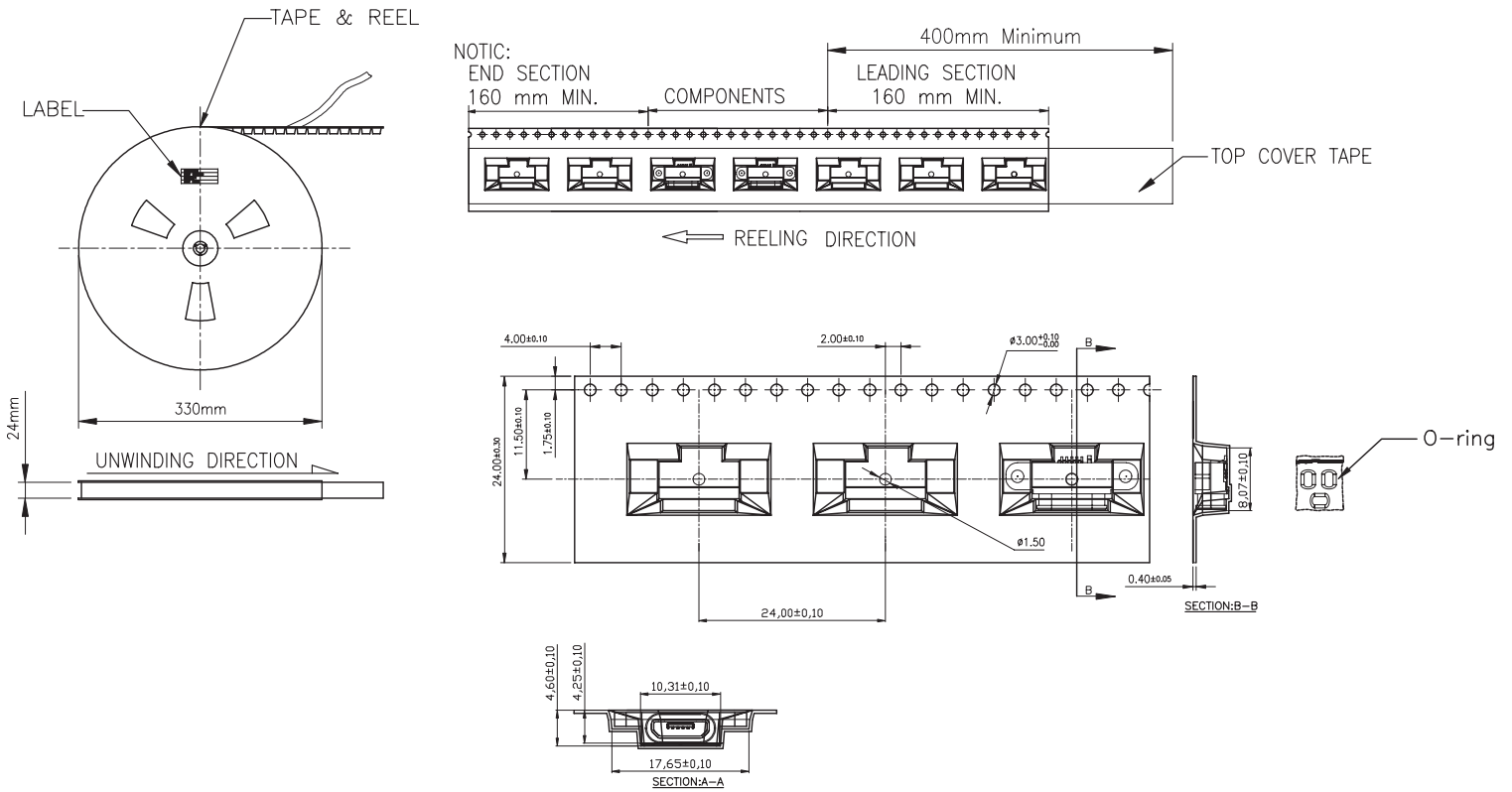


PACKAGING

units: mm

Reel Size: $\varnothing 330$ mm

Reel QTY: 500 pcs per reel



REVISION HISTORY

| rev. | description | date |
|------|--------------------------------------|------------|
| 1.0 | initial release | 12/05/2018 |
| 1.01 | updated datasheet | 06/24/2019 |
| 1.02 | brand update | 01/27/2020 |
| 1.03 | added USB standard, added o-ring p/n | 04/07/2022 |
| 1.04 | logo, datasheet style update | 08/05/2022 |
| 1.05 | CUI Devices rebranded to Same Sky | 09/12/2024 |

The revision history provided is for informational purposes only and is believed to be accurate.



Same Sky offers a one (1) year limited warranty. Complete warranty information is listed on our website.

Same Sky reserves the right to make changes to the product at any time without notice. Information provided by Same Sky is believed to be accurate and reliable. However, no responsibility is assumed by Same Sky for its use, nor for any infringements of patents or other rights of third parties which may result from its use.

Same Sky products are not authorized or warranted for use as critical components in equipment that requires an extremely high level of reliability. A critical component is any component of a life support device or system whose failure to perform can be reasonably expected to cause the failure of the life support device or system, or to affect its safety or effectiveness.

[sameskydevices.com](https://www.sameskydevices.com)