

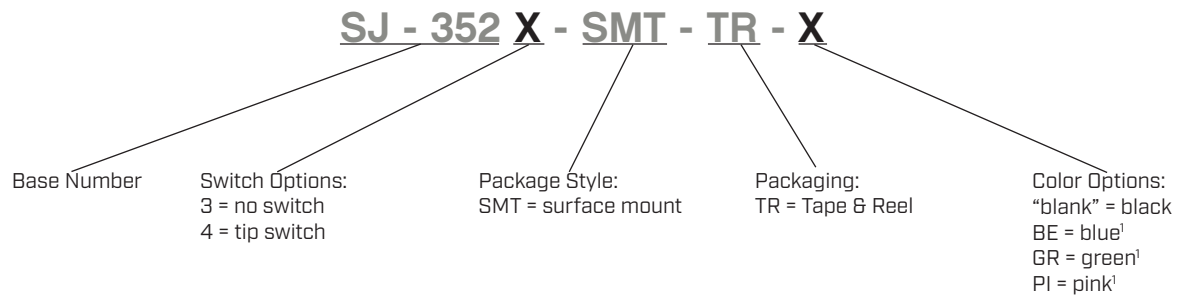
## SERIES: SJ-352X-SMT | DESCRIPTION: AUDIO JACK

### FEATURES

- low profile design
- switch options include:
  - no switch
  - tip switch



### PART NUMBER KEY



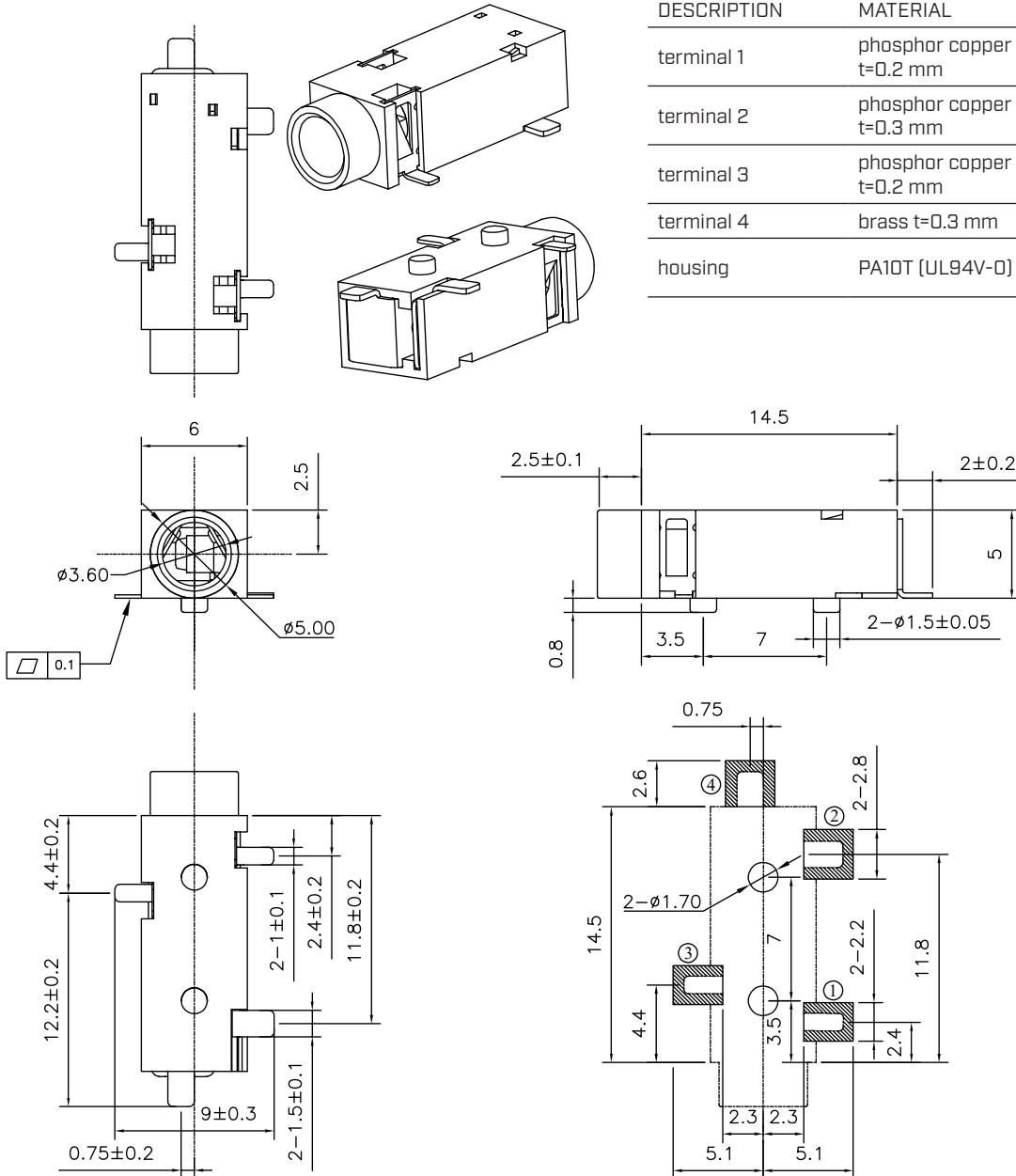
Note: <sup>1</sup>. Tip switch option only

### SPECIFICATIONS

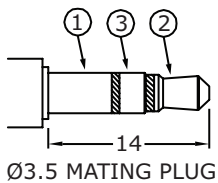
parameter	conditions/description	min	typ	max	units
rated input voltage			12		Vdc
rated input current				1	A
contact resistance				50	mΩ
insulation resistance	at 500 Vdc	100			MΩ
voltage withstand	for 1 minute			500	Vac
insertion/withdrawal force		0.3		3	kg
operating temperature		-25		85	°C
life			5,000		cycles
flammability rating	UL94V-0				
RoHS	yes				

## MECHANICAL DRAWING

units: mm  
 tolerance:  
 X.  $\pm 0.5$  mm  
 X.X  $\pm 0.3$  mm  
 X.XX  $\pm 0.20$  mm  
 PCB:  $\pm 0.05$  mm



Recommended PCB Layout  
 Top View



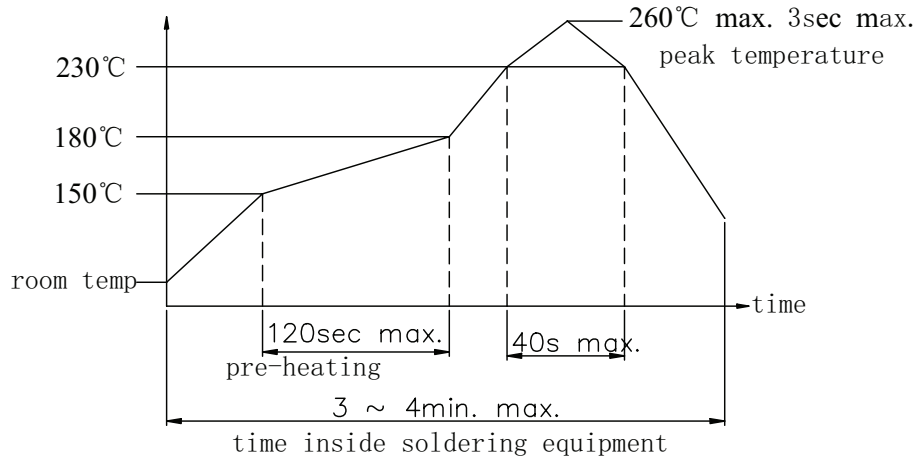
DESCRIPTION	MATERIAL	PLATING/COLOR
terminal 1	phosphor copper t=0.2 mm	silver
terminal 2	phosphor copper t=0.3 mm	silver
terminal 3	phosphor copper t=0.2 mm	silver
terminal 4	brass t=0.3 mm	silver
housing	PA10T (UL94V-0)	see part number key

Model No.	SJ-3523-SMT	SJ-3524-SMT
Schematic		
PIN		
1	sleeve	sleeve
2	tip	tip
3	ring	ring
4	NP	tip switch

## SOLDERABILITY

parameter	conditions/description	min	typ	max	units
reel storage	-5~35°C, 25~80% humidity reel opened: use within 1 month reel unopened: use within 6 months				
reflow soldering	see reflow profile			260	°C

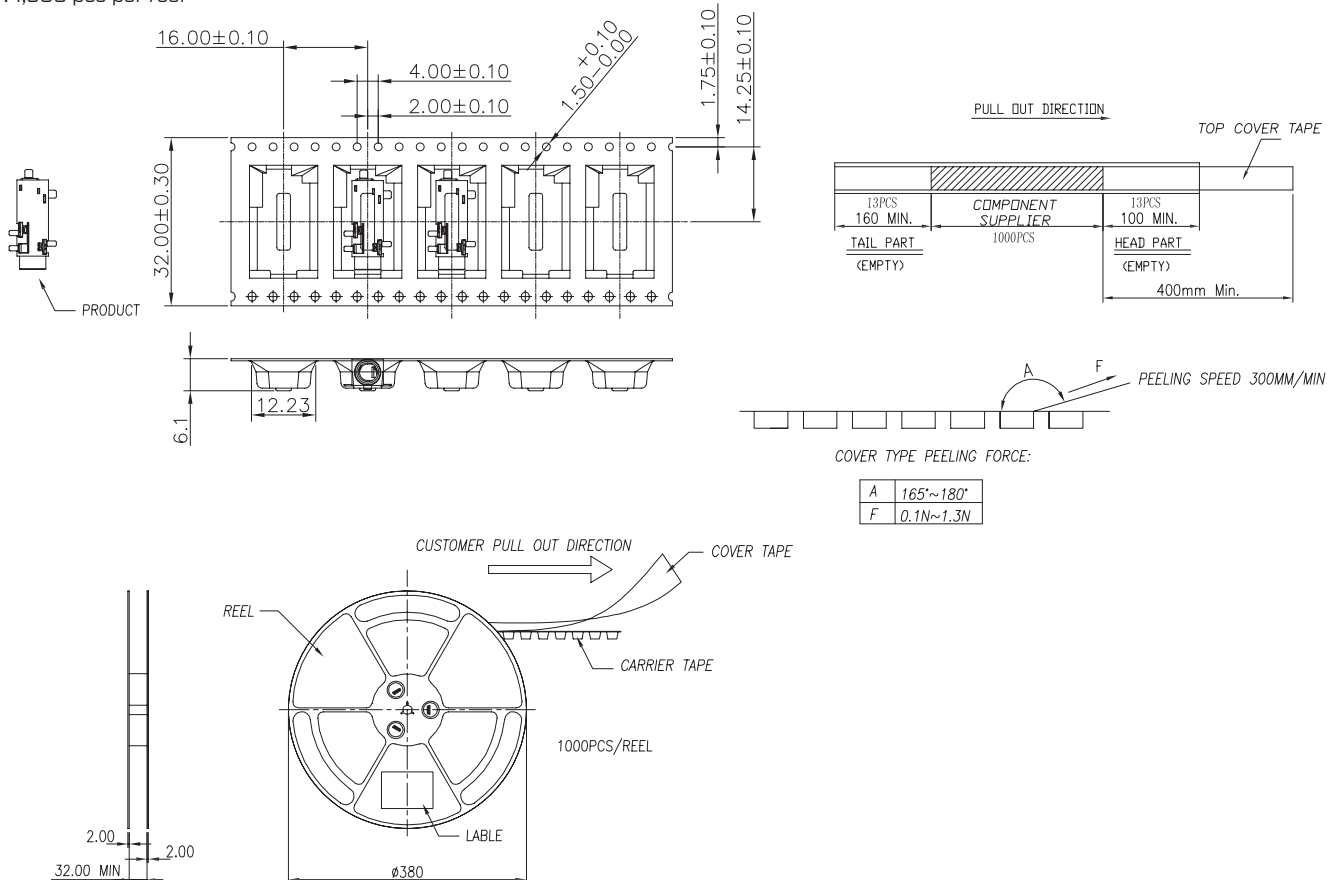
Note: 1. Same Sky recommends usage of the product within 2 hours after T&R is opened. After 6 hours, Same Sky recommends drying the parts prior to use.



## PACKAGING

units: mm

Reel Size:  $\varnothing 380$  mm  
Reel QTY: 1,000 pcs per reel



## REVISION HISTORY

rev.	description	date
1.0	initial release	02/07/2006
1.01	new remplate applied	01/25/2012
1.02	added TR package and color options	11/01/2012
1.03	added storage and drying conditions, and tape and reel packaging details	02/15/2018
1.04	brand update	10/09/2019
1.05	modified housing, changed terminal 4 material	08/24/2022
1.06	CUI Devices rebranded to Same Sky	09/12/2024
1.07	modified housing, terminal materials changed	11/05/2024

The revision history provided is for informational purposes only and is believed to be accurate.



Same Sky offers a one (1) year limited warranty. Complete warranty information is listed on our website.

Same Sky reserves the right to make changes to the product at any time without notice. Information provided by Same Sky is believed to be accurate and reliable. However, no responsibility is assumed by Same Sky for its use, nor for any infringements of patents or other rights of third parties which may result from its use.

Same Sky products are not authorized or warranted for use as critical components in equipment that requires an extremely high level of reliability. A critical component is any component of a life support device or system whose failure to perform can be reasonably expected to cause the failure of the life support device or system, or to affect its safety or effectiveness.

[sameskydevices.com](https://www.sameskydevices.com)