

**MODEL:** PJ-005A | **DESCRIPTION:** DC POWER JACK**FEATURES**

- 2.0 mm center pin
- mounting hardware includes nut and washer
- panel mount

**SPECIFICATIONS**

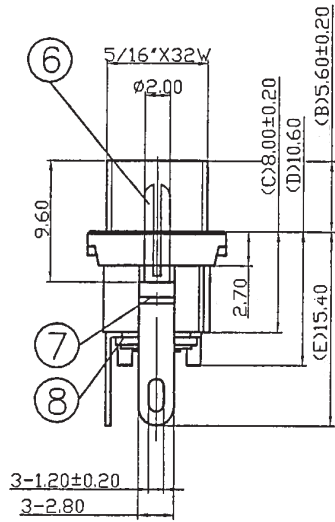
parameter	conditions/description	min	typ	max	units
rated input voltage			24		Vdc
rated input current				5	A
contact resistance				30	mΩ
insulation resistance	at 500 Vdc	100			MΩ
voltage withstand	at 50/60Hz for 1 minute			500	Vac
insertion/withdrawal force		0.3		3	kg
operating temperature		-40		70	°C
life			5,000		cycles
flammability rating	plastic: UL94V-0 insulator: UL94HB				
RoHS	yes				

**SOLDERABILITY**

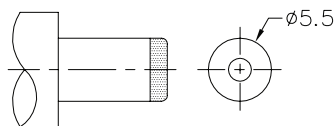
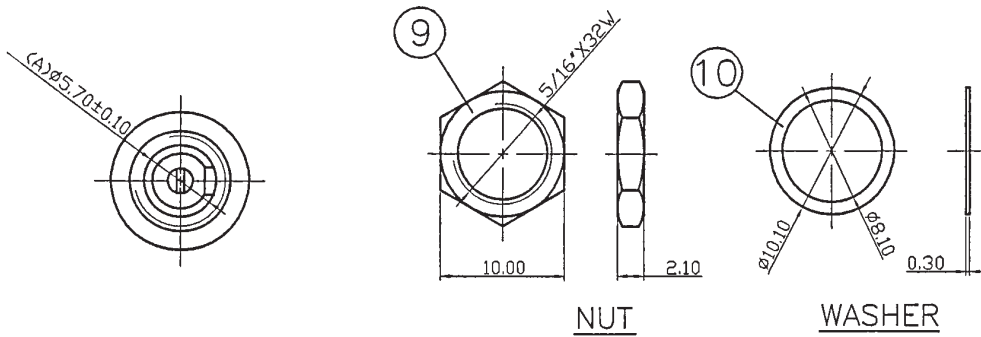
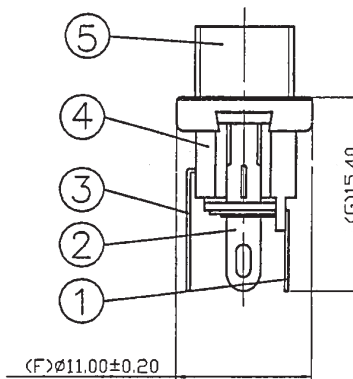
parameter	conditions/description	min	typ	max	units
hand soldering	for 3±0.5 seconds	340	350	360	°C

## MECHANICAL DRAWING

units: mm  
tolerance: ±0.3mm



ITEM	DESCRIPTION	MATERIAL	PLATING/COLOR
1	terminal pin	brass	silver
2	sleeve spring	phosphor bronze	silver
3	break terminal	brass	silver
4	housing	PBT (UL94V-0)	black
5	bushing	brass	nickel
6	pin(Ø2.0)	brass	nickel
7	insulator A	vulcanize fiber	red
8	insulator B	vulcanize fiber	red
9	nut	brass	nickel
10	washer	steel	nickel



**MATING PLUG**  
Jack Insertion Depth: 9.0 mm

SCHEMATIC	
Model	PJ-005A
Center Pin	Ø2.0 mm

Note: 1. All specifications measured at 10-35°C, humidity at 45-85%, under standard atmospheric pressure, unless otherwise noted.

## REVISION HISTORY

rev.	description	date
1.0	initial release	01/30/2006
1.01	applied new spec template	05/06/2011
1.02	updated voltage and current rating	07/09/2014
1.03	removed slot from threaded barrel	09/01/2017
1.04	brand update	10/30/2019
1.05	updated hand soldering recommendations	02/24/2022
1.06	logo, datasheet style update	08/05/2022
1.07	CUI Devices rebranded to Same Sky	09/12/2024

The revision history provided is for informational purposes only and is believed to be accurate.



Same Sky offers a one (1) year limited warranty. Complete warranty information is listed on our website.

Same Sky reserves the right to make changes to the product at any time without notice. Information provided by Same Sky is believed to be accurate and reliable. However, no responsibility is assumed by Same Sky for its use, nor for any infringements of patents or other rights of third parties which may result from its use.

Same Sky products are not authorized or warranted for use as critical components in equipment that requires an extremely high level of reliability. A critical component is any component of a life support device or system whose failure to perform can be reasonably expected to cause the failure of the life support device or system, or to affect its safety or effectiveness.

[sameskydevices.com](https://www.sameskydevices.com)