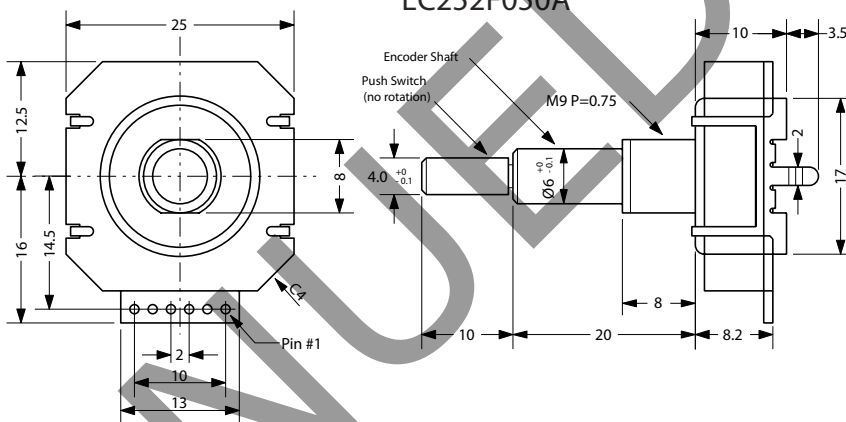
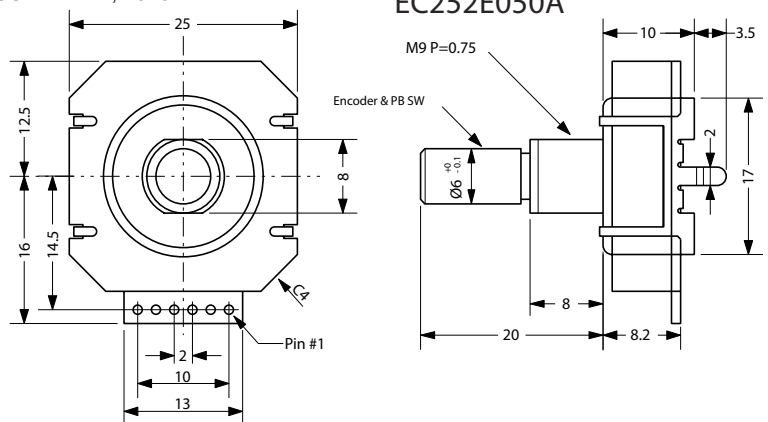


© CUI Devices, 2020

Additional Resources: [Product Page](#)

**EC252E050A**

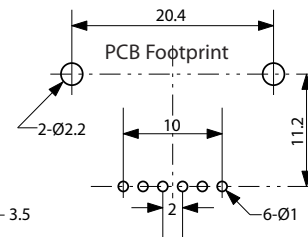
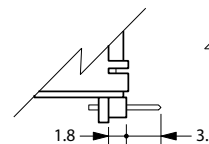
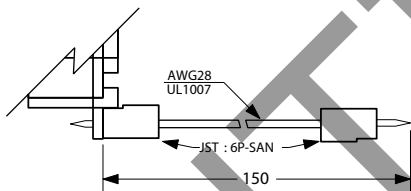
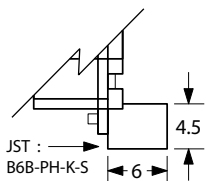
**EC252F050A**



**EC252X050B**

**EC252X050C**

**EC252X050D**



**SPECIFICATIONS**

**ELECTRICAL**

1. Input Voltage: 3.3 VDC  $\pm 10\%$
2. Resolution: 50PPR
3. Current Consumption: 20mA max.
4. Output Voltage: High: VCC-0.5Vmin  
Low: 0.7Vmax
5. Max. Freq. Response: 100Hz

**MECHANICAL**

1. Max Shaft Load, radial: 1.0 kgf  
axial: 1.0 kgf
2. Rotational Angle: 360° continuous
3. Detent Torque: 40 $\pm$ 20 gf cm max.
4. Maximum Speed: 120 RPM
5. Rotational Life: 1,000,000 cycles

**ENVIRONMENTAL**

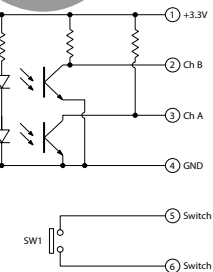
1. Operating Temp: 0° to +60° C
2. Storage Temp: -20° to +80° C
3. Humidity: 85% RH, no condensation
4. Vibration: 10 - 55 Hz, 1.5 mm, 2 hrs
5. Shock: 50G, 6ms, 3 axes, 3 reps

**PUSH SWITCH**

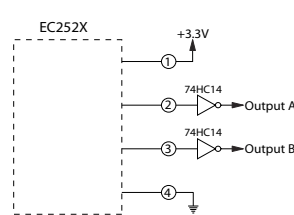
1. Rating: 12VDC, 50mA
2. Contact Resistance: 200m  $\Omega$  max.
3. Insulation Resistance: 100M  $\Omega$  min.
4. Voltage Withstand: 250V AC, 1 min.
5. Operating Force: 306~612gf
6. Travel: 0.7mm  $\pm 0.3$ mm
7. Bounce: 10ms
8. Life: 1,000,000 cycles

**OUTPUT CIRCUIT**

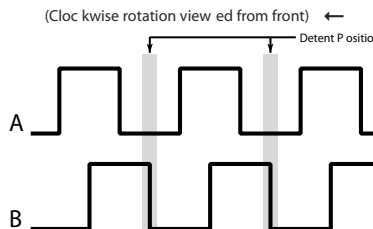
**INTERNAL CIRCUIT**



**EXTERNAL CIRCUIT**



**LOGIC PATTERN**



**ORDERING INSTRUCTIONS**

**EC252X050XX**

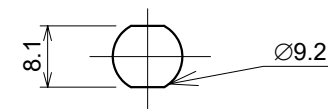
Shaft style:  
E = Single shaft  
F = Dual concentric shaft

Termination options:  
A = Solder holes  
B = Connector  
C = Cable  
D = PC board mount

Jumper:  
1 = With JMP1  
2 = Without JMP1

**CUT-OUT DIMENSIONS**

Mounting Panel Thickness:  
1.6~2.0mm



CUI Devices 6405 SW Rosewood St, Suite C Lake Oswego, OR 97035 www.cuidevices.com			
DRAWN BY KDW	UPDATED 09/03/20	CHECKED 09/03/20	UNIT MM
PART NO. <b>EC252X050XX</b>		REV. <b>B</b>	