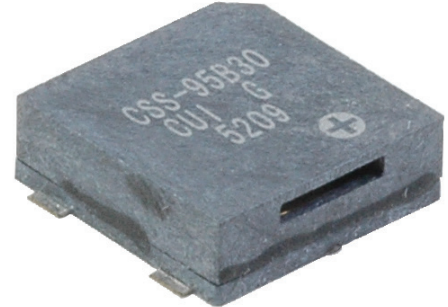





MODEL: CSS-95B30-SMT-TR | **DESCRIPTION:** MAGNETIC BUZZER TRANSDUCER

FEATURES

- surface mount
- side sound port
- externally driven



SPECIFICATIONS

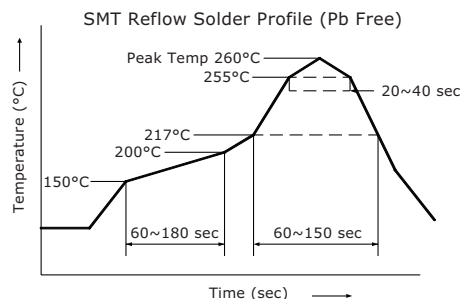
| parameter | conditions/description | min | typ | max | units |
|-----------------------|---|-----|-------|-----|------------------|
| rated voltage |  | | 5 | | V _{0-p} |
| operating voltage | | 4 | | 7 | V _{0-p} |
| current consumption | at rated voltage, 2,700 Hz square wave, ½ duty | | | 80 | mA |
| rated frequency | | | 2,700 | | Hz |
| sound pressure level | at 10 cm (A-weight), rated voltage, 2,700 Hz square wave, ½ duty | 92 | 95 | | dBA |
| coil resistance | | 27 | 30 | 33 | Ω |
| dimensions | 10 x 10 x 3.2 | | | | mm |
| weight | | | 0.8 | | g |
| material | LCP (black) | | | | |
| terminal | SMT type (Sn plating) | | | | |
| operating temperature | | -20 | | 70 | °C |
| storage temperature | | -40 | | 85 | °C |
| RoHS | yes | | | | |

Notes: 1. All specifications measured at 5-35°C, humidity at 45-85%, under 86-106 kPa pressure, unless otherwise noted.

SOLDERABILITY

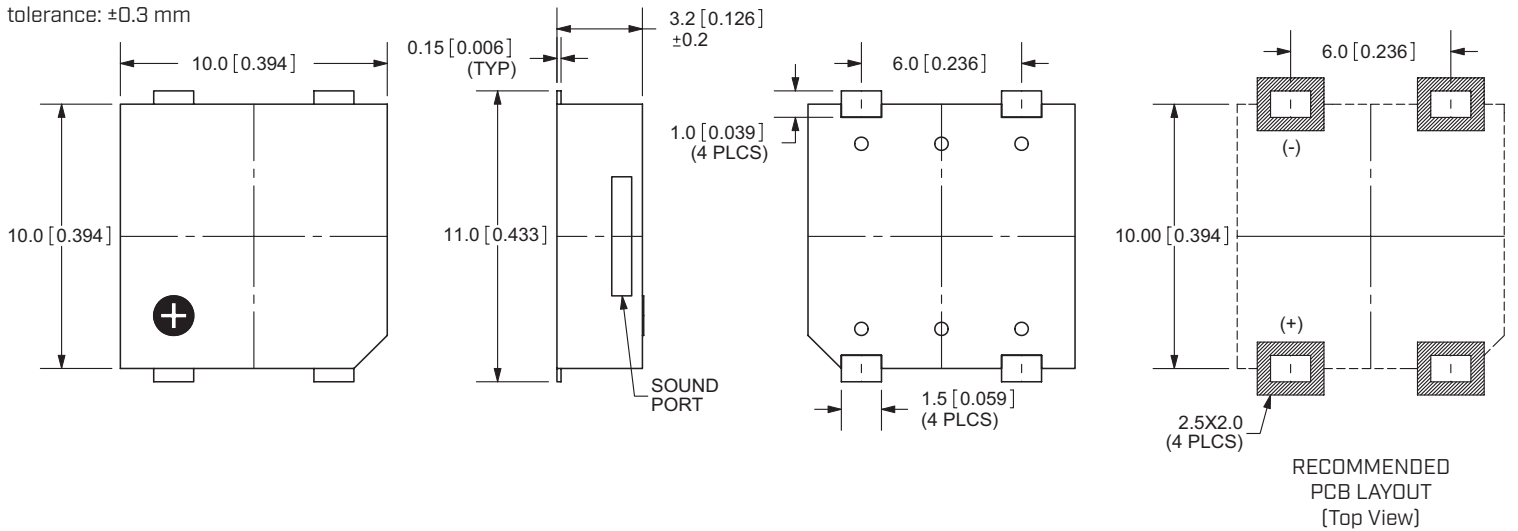
| parameter | conditions/description | min | typ | max | units |
|--------------------------------|--|-----|-----|-----|-------|
| reel storage | at relative humidity <40% | | | 25 | °C |
| reflow soldering ² | see recommended reflow soldering profile | | | 260 | °C |
| drying conditions ³ | bake at 40°C for 24 hours | | | | |

Note: 2. It is recommended to reflow solder within 48 hours from opening vacuum packaging at a temperature <30°C & relative humidity <60%.
 3. When out of packaging for more than 48 hours.

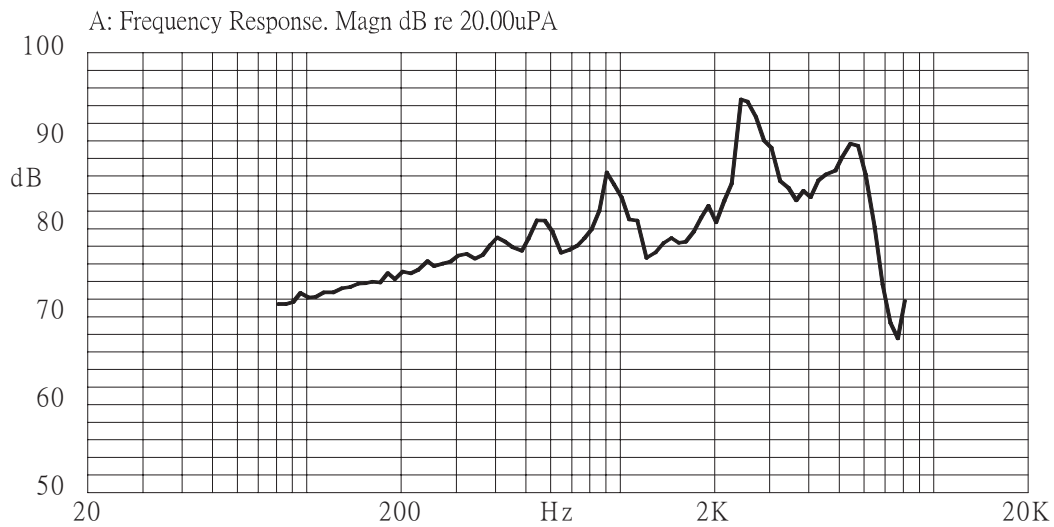


MECHANICAL DRAWING

units: mm
tolerance: ± 0.3 mm



FREQUENCY RESPONSE CURVE



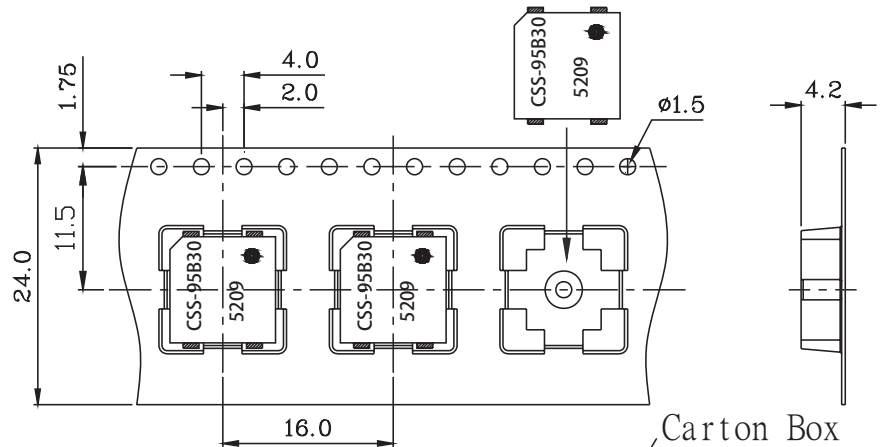
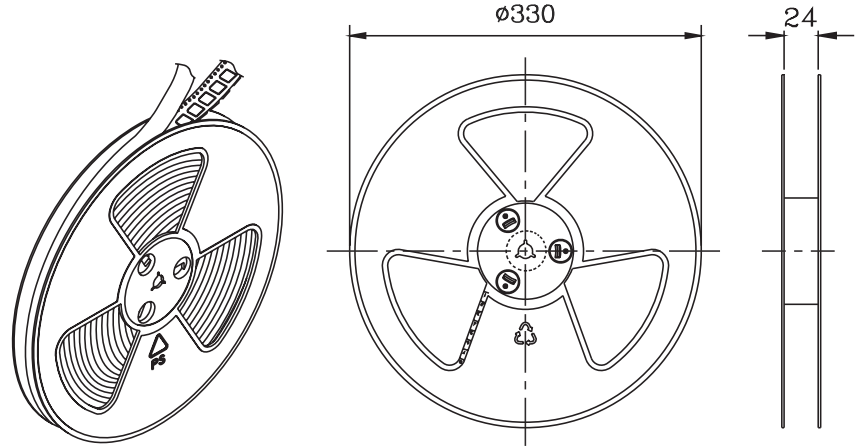
MEASUREMENT METHOD




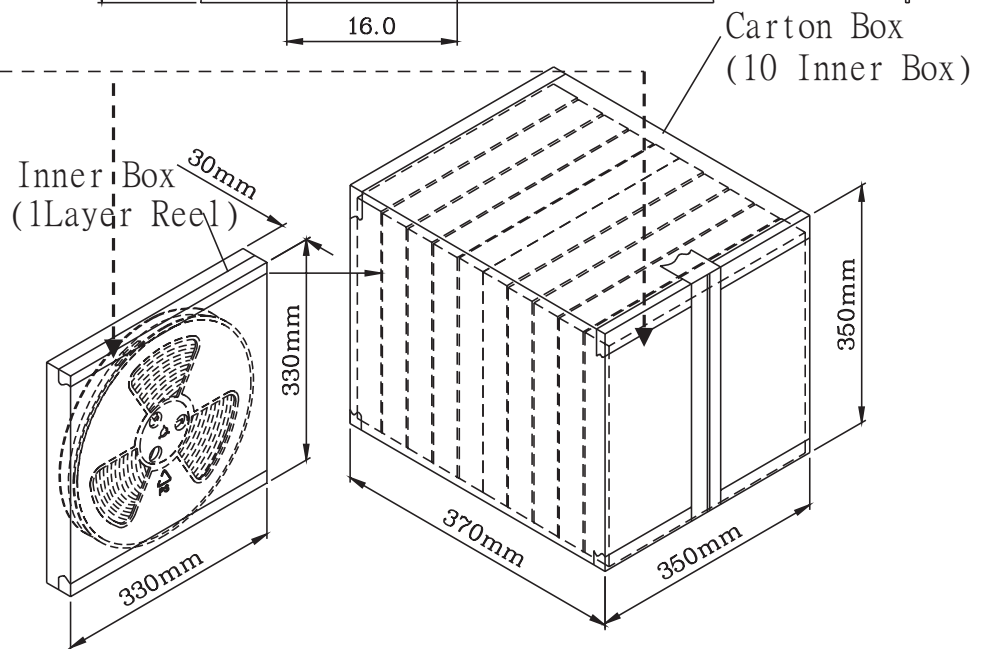
PACKAGING

units: mm

Reel Size: $\varnothing 330$ mm
 Inner Box Size: 330 x 330 x 30 mm
 Carton Size: 370 x 350 x 350 mm
 Reel QTY: 1,000 pcs per reel
 Carton QTY: 10,000 pcs per carton



| | |
|---------------|--|
| Lot No. | XXXXXXXXXX |
| Model No. | XXXXXXXXXX |
| Quantity. | XXXX Pcs |
| Date: | DD MM YY  |
| MADE IN CHINA | |



* The label sticked on inner boxes and the outer of carton.

REVISION HISTORY

| rev. | description | date |
|------|--|------------|
| 1.0 | initial release | 07/13/2010 |
| 1.01 | updated part number, added TR package option, applied new spec template | 05/03/2013 |
| 1.02 | added storage and drying conditions, and tape and reel packaging details | 07/26/2019 |
| 1.03 | brand update | 01/06/2020 |
| 1.04 | logo, datasheet style update | 08/05/2022 |
| 1.05 | CUI Devices rebranded to Same Sky | 09/11/2024 |

The revision history provided is for informational purposes only and is believed to be accurate.



Same Sky offers a one (1) year limited warranty. Complete warranty information is listed on our website.

Same Sky reserves the right to make changes to the product at any time without notice. Information provided by Same Sky is believed to be accurate and reliable. However, no responsibility is assumed by Same Sky for its use, nor for any infringements of patents or other rights of third parties which may result from its use.

Same Sky products are not authorized or warranted for use as critical components in equipment that requires an extremely high level of reliability. A critical component is any component of a life support device or system whose failure to perform can be reasonably expected to cause the failure of the life support device or system, or to affect its safety or effectiveness.

[sameskydevices.com](https://www.sameskydevices.com)