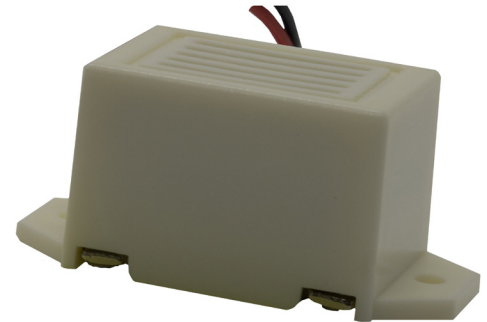


**MODEL:** CS-3603 | **DESCRIPTION:** SOLID STATE INDICATOR**FEATURES**

- solid state
- driving circuit
- wire leads
- mounting tabs

**SPECIFICATIONS**

| parameter             | conditions/description                      | min | typ | max | units |
|-----------------------|---|-----|-----|-----|-------|
| rated voltage         |   |     | 3.0 |     | Vdc   |
| operating voltage     |   | 2.0 |     | 4.0 | Vdc   |
| current consumption   | at rated voltage                            |     |     | 40  | mA    |
| rated frequency       |   | 250 | 400 | 550 | Hz    |
| sound pressure level  | at 30 cm, rated voltage (A-weight free air) | 78  |     |     | dBA   |
| tone                  | continuous                                  |     |     |     |       |
| dimensions            | 33.5 x 17.0 x 15.3                          |     |     |     | mm    |
| weight                |   |     | 8.4 |     | g     |
| material              | ABS (white)                                 |     |     |     |       |
| terminal              | wire leads                                  |     |     |     |       |
| operating temperature |   | -30 |     | 70  | °C    |
| storage temperature   |   | -35 |     | 75  | °C    |
| RoHS                  | yes   |     |     |     |       |

Notes: 1. All specifications measured at 5-35°C, humidity at 45-85%, under 86-106 kPa pressure, unless otherwise noted.

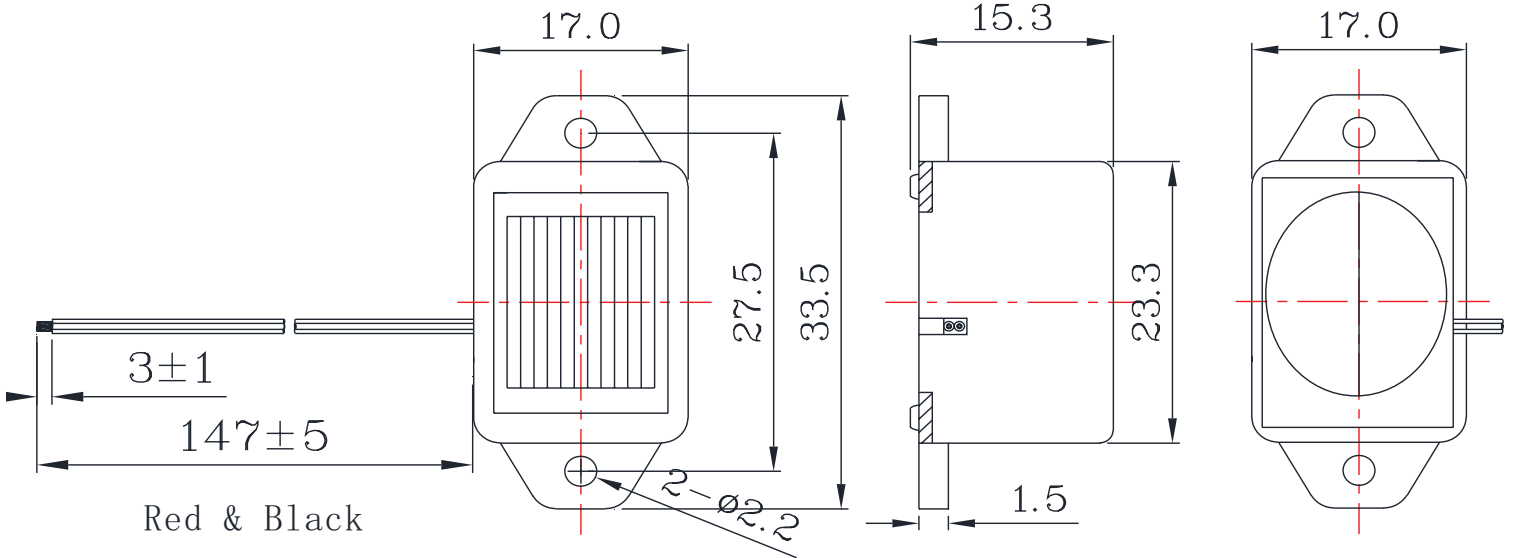
**SOLDERABILITY**

| parameter      | conditions/description | min | typ | max | units |
|----------------|------------------------|-----|-----|-----|-------|
| hand soldering | for maximum 2 seconds  | 330 |     | 380 | °C    |

## MECHANICAL DRAWING

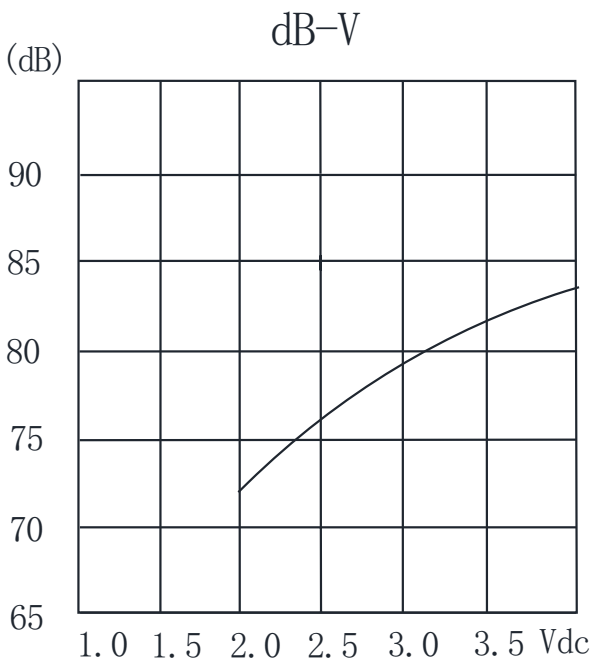
units: mm  
tolerance:  $\pm 0.5$  mm

wire: UL 1007 28 AWG

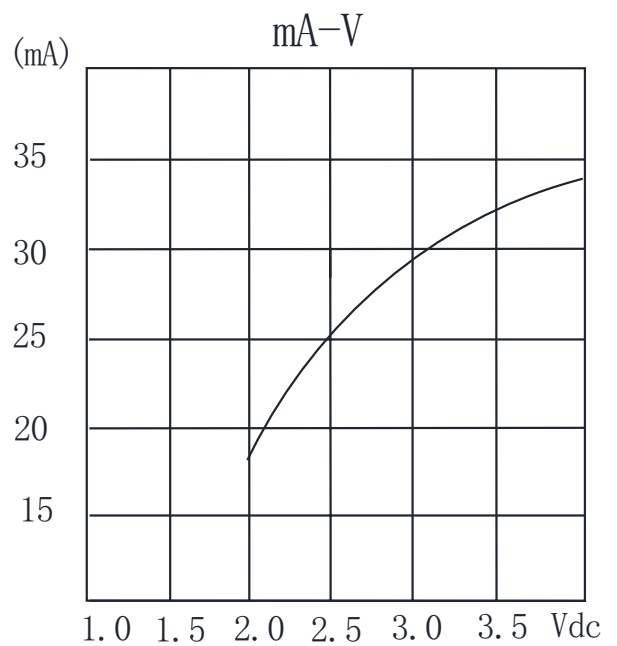


## PERFORMANCE CURVES

Voltage vs. Sound Pressure Level  
at 30 cm, 25°C



Voltage vs. Current Consumption  
at 25°C



## REVISION HISTORY

| rev. | description                       | date       |
|------|-----------------------------------|------------|
| 1.0  | initial release                   | 11/12/2007 |
| 1.01 | modified design                   | 08/21/2023 |
| 1.02 | CUI Devices rebranded to Same Sky | 09/11/2024 |

The revision history provided is for informational purposes only and is believed to be accurate.



CUI Devices offers a one (1) year limited warranty. Complete warranty information is listed on our website.

CUI Devices reserves the right to make changes to the product at any time without notice. Information provided by CUI Devices is believed to be accurate and reliable. However, no responsibility is assumed by CUI Devices for its use, nor for any infringements of patents or other rights of third parties which may result from its use.

CUI Devices products are not authorized or warranted for use as critical components in equipment that requires an extremely high level of reliability. A critical component is any component of a life support device or system whose failure to perform can be reasonably expected to cause the failure of the life support device or system, or to affect its safety or effectiveness.

[cuidevices.com](http://cuidevices.com)