



MODEL: CPT-3010-90T | **DESCRIPTION:** PIEZO BUZZER TRANSDUCER

FEATURES

- piezo
- 90 dB @ 10 cm
- through hole


SPECIFICATIONS

parameter	conditions/description	min	typ	max	units
rated voltage	V _{p-p} 		5		V _{p-p}
operating voltage				30	V _{p-p}
current consumption	at rated voltage			1.5	mA
rated frequency		2,000	2,500	3,000	Hz
sound pressure level	at 10 cm, rated voltage	90			dB
electrostatic capacitance	at 120 Hz	21,000	30,000	39,000	pF
dimensions	∅30 x 12				mm
weight			4.4		g
material	ABS 757 (UL94HB)				
terminal	pin (tin plated brass)				
operating temperature		-20		70	°C
storage temperature		-30		80	°C
washable	no				
RoHS	yes				

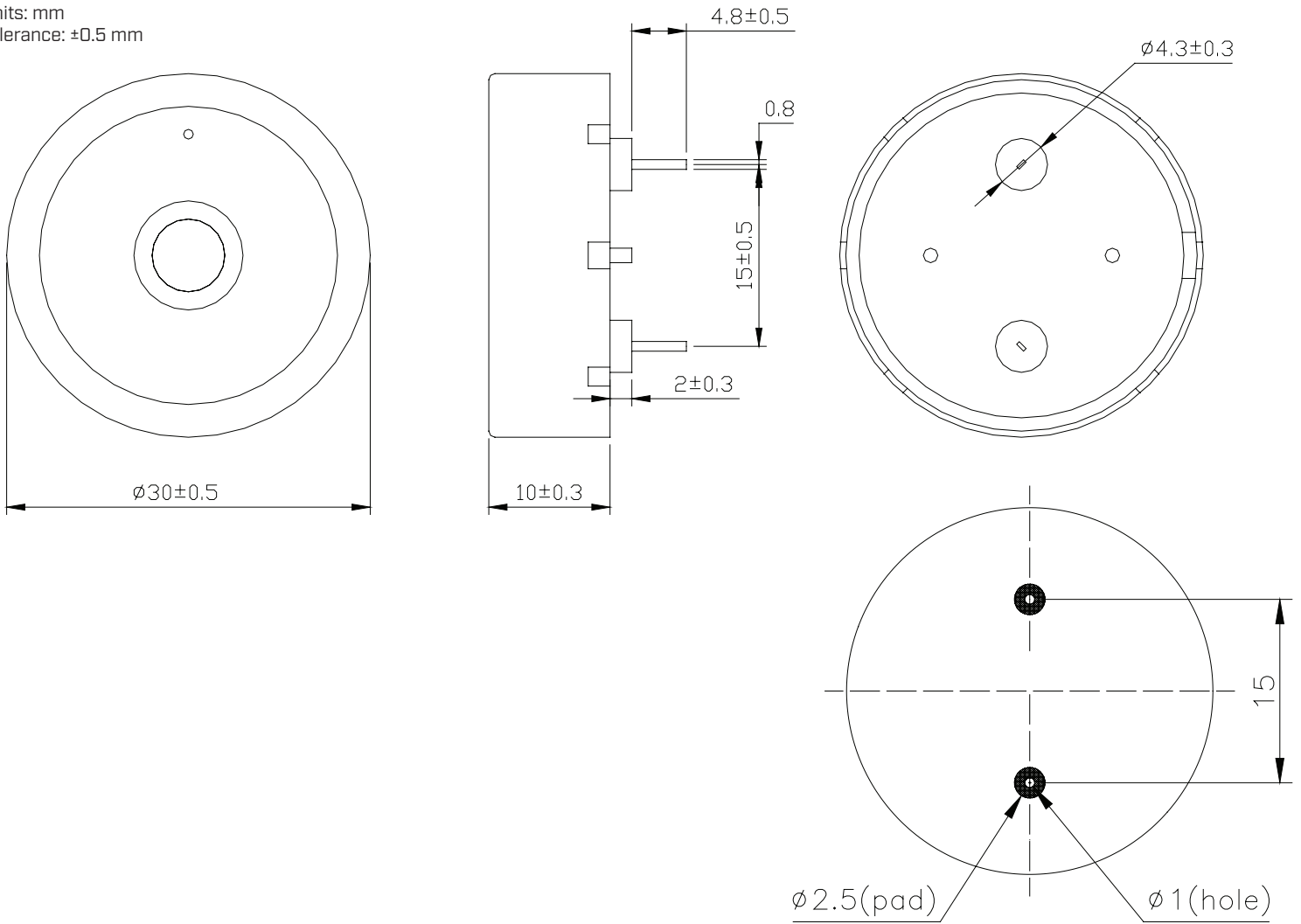
Notes: 1. All specifications measured at 25±2°C, humidity at 45-60%, unless otherwise noted.

SOLDERABILITY

parameter	conditions/description	min	typ	max	units
hand soldering	for maximum 5 seconds	330	350	370	°C
wave soldering	for maximum 5 seconds	255	260	265	°C

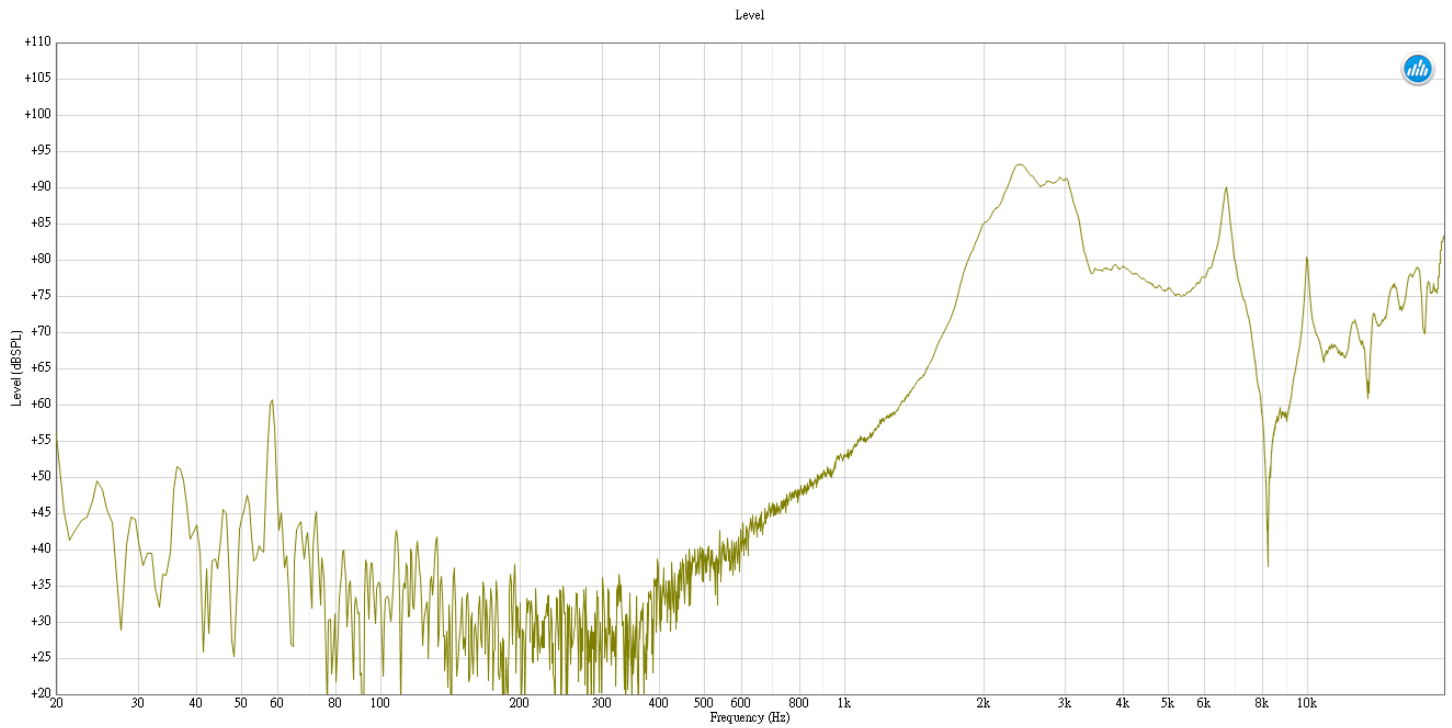
MECHANICAL DRAWING

units: mm
tolerance: ± 0.5 mm



Recommended PCB Layout
Top View

FREQUENCY RESPONSE CURVE



REVISION HISTORY

rev.	description	date
1.0	initial release	09/12/2023
1.01	CUI Devices rebranded to Same Sky	09/11/2024

The revision history provided is for informational purposes only and is believed to be accurate.



Same Sky offers a one (1) year limited warranty. Complete warranty information is listed on our website.

Same Sky reserves the right to make changes to the product at any time without notice. Information provided by Same Sky is believed to be accurate and reliable. However, no responsibility is assumed by Same Sky for its use, nor for any infringements of patents or other rights of third parties which may result from its use.

Same Sky products are not authorized or warranted for use as critical components in equipment that requires an extremely high level of reliability. A critical component is any component of a life support device or system whose failure to perform can be reasonably expected to cause the failure of the life support device or system, or to affect its safety or effectiveness.

[sameskydevices.com](https://www.sameskydevices.com)