



**MODEL:** CPT-2510-28-85T | **DESCRIPTION:** PIEZO BUZZER TRANSDUCER

**FEATURES**

- 24 Vdc rated
- 85 dB
- continuous tone
- feedback pin



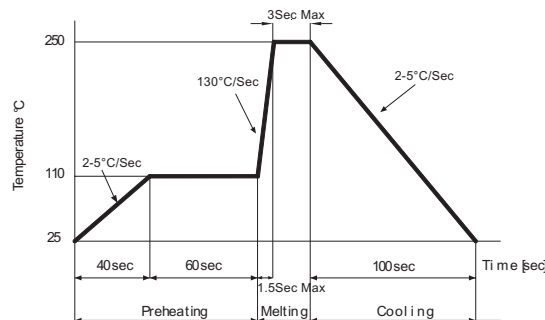
**SPECIFICATIONS**

parameter	conditions/description	min	typ	max	units
rated voltage			24		Vdc
operating voltage		3		28	Vdc
current consumption	at rated voltage			27	mA
rated frequency		2,500	3,000	3,500	Hz
sound pressure level	at 30 cm, rated voltage, 3.0 kHz	85			dB
tone	continuous				
electrostatic capacitance	at 120 Hz, 1 V	28,000	40,000	52,000	pF
dimensions	Ø25.2 x 9.5				mm
weight				2.5	g
material	PBT+30% glass (black)				
terminal	pin type (tin plating)				
operating temperature		-30		85	°C
storage temperature		-40		85	°C
washable	no				
RoHS	yes				

Notes: 1. All specifications measured at 5-35°C, humidity at 45-85%, under 86-106kPa pressure, unless otherwise noted.

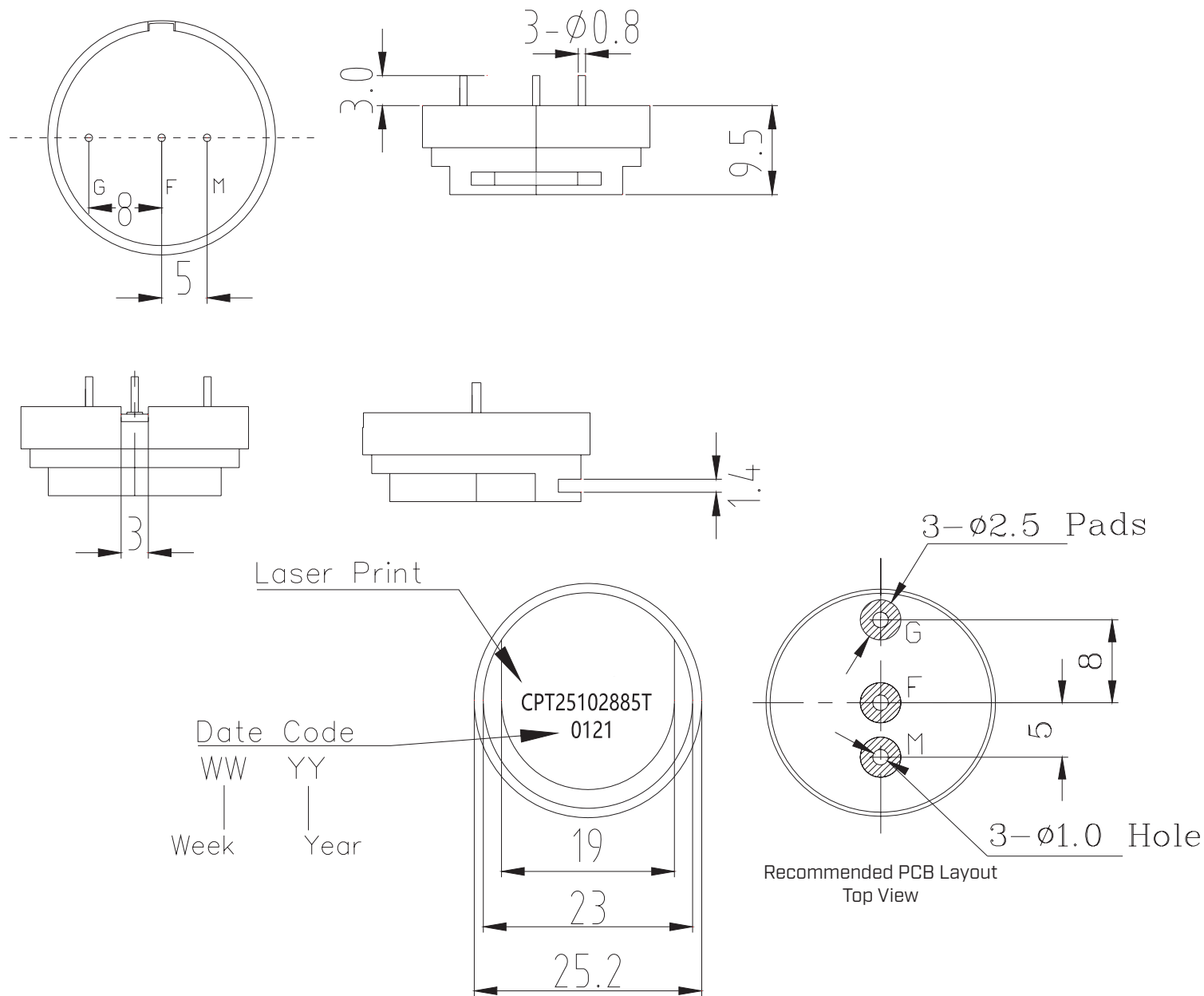
**SOLDERABILITY**

parameter	conditions/description	min	typ	max	units
hand soldering	for maximum 2 seconds	330		380	°C
wave soldering	see wave soldering profile			250	°C



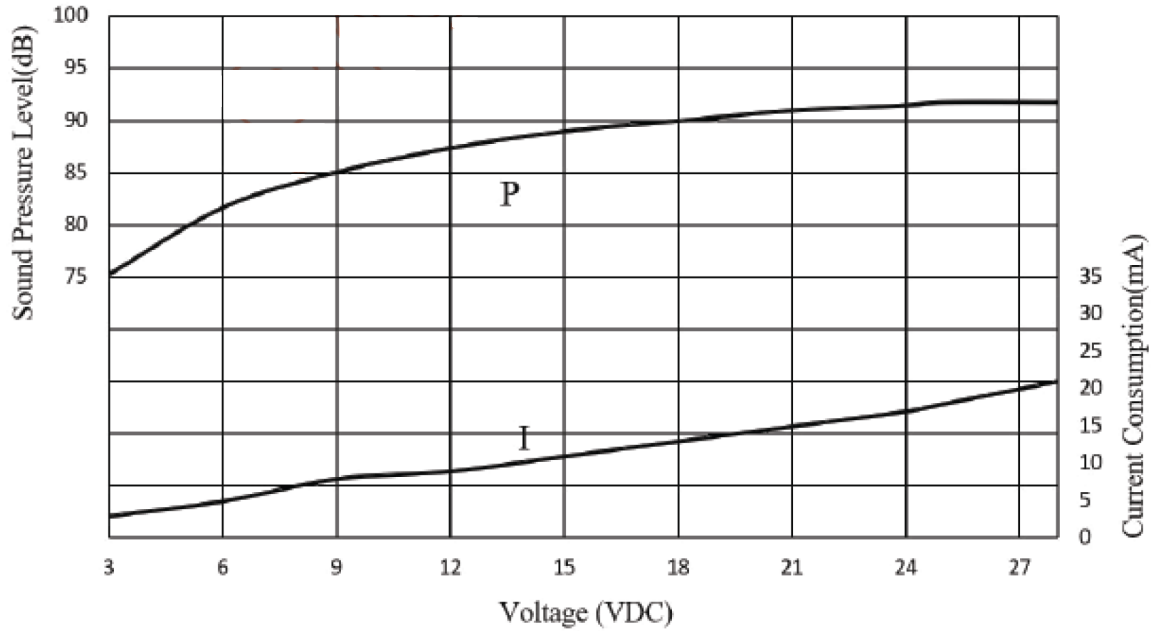
## MECHANICAL DRAWING

units: mm  
tolerance: ±0.5 mm

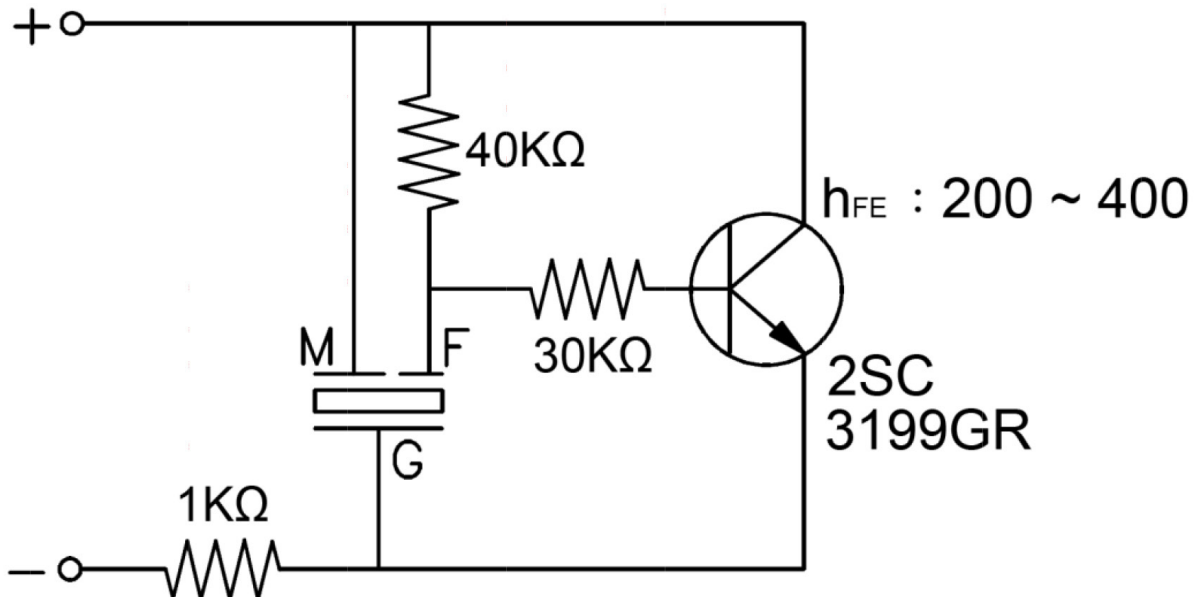


## PERFORMANCE CURVES

P: Voltage vs. Sound Pressure Level  
 I: Voltage vs. Current Consumption  
 at 30 cm



## DRIVING CIRCUIT

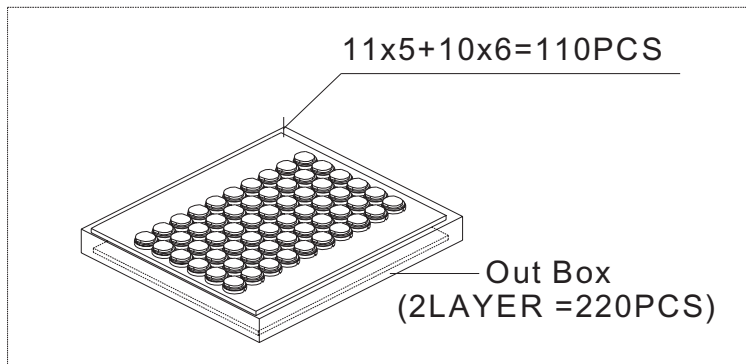


Notes: 1. The current consumption and the sound pressure level are measured by using the recommend driving circuit shown above.

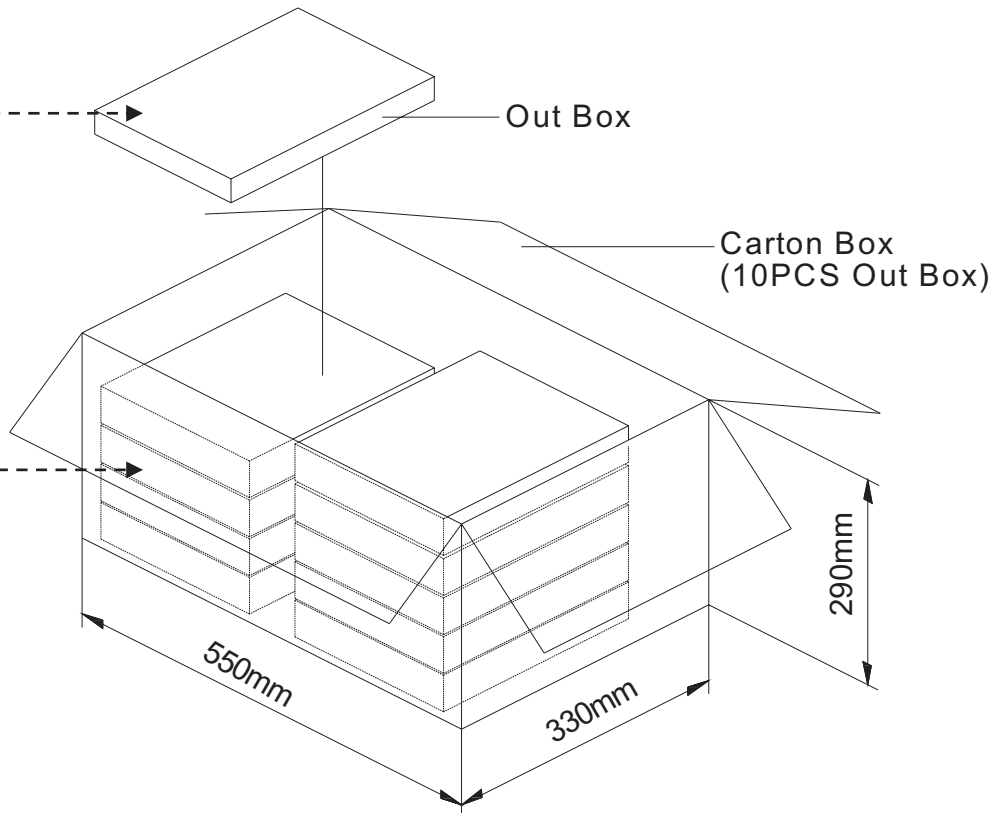
## PACKAGING

units: mm

Inner Box Size: 310 x 248 x 49 mm  
 Carton Box Size: 550 x 330 x 290 mm  
 Inner Box QTY: 110 pcs per tray  
 Carton Box QTY: 2,200 pcs per carton



Lot No.	XXXXXXXXXX
Part No.	XXXXXXXXXX XXXXXXXXXX
Quantity.	XXXX Pcs
Date:	
WW YY	RoHs Compliant
MADE IN CHINA	



## REVISION HISTORY

rev.	description	date
1.0	initial release	11/23/2021
1.01	logo, datasheet style update	08/05/2022
1.02	CUI Devices rebranded to Same Sky	09/11/2024

The revision history provided is for informational purposes only and is believed to be accurate.



CUI Devices offers a one (1) year limited warranty. Complete warranty information is listed on our website.

CUI Devices reserves the right to make changes to the product at any time without notice. Information provided by CUI Devices is believed to be accurate and reliable. However, no responsibility is assumed by CUI Devices for its use, nor for any infringements of patents or other rights of third parties which may result from its use.

CUI Devices products are not authorized or warranted for use as critical components in equipment that requires an extremely high level of reliability. A critical component is any component of a life support device or system whose failure to perform can be reasonably expected to cause the failure of the life support device or system, or to affect its safety or effectiveness.

[cuidevices.com](http://cuidevices.com)