



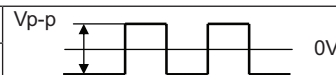
MODEL: CPT-2312-88T | **DESCRIPTION:** PIEZO BUZZER TRANSDUCER

FEATURES

- through hole
- SPL 88 dB
- piezo
- externally driven



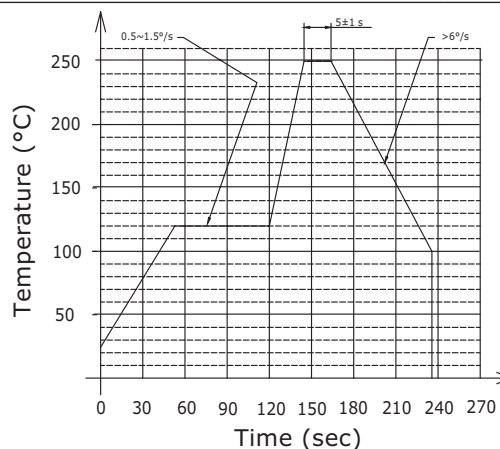
SPECIFICATIONS

| parameter | conditions/description | min | typ | max | units |
|---------------------------|--|--------|--------|--------|-------|
| rated voltage |  Vp-p | | 12 | | Vp-p |
| operating voltage | | 1 | | 30 | Vp-p |
| current consumption | at rated voltage, 2,000 Hz, ½ duty square wave | | | 5 | mA |
| rated frequency | | | 2,000 | | Hz |
| sound pressure level | at 10 cm, rated voltage, 2,000 Hz, ½ duty square wave | 88 | | | dB |
| electrostatic capacitance | at 120 Hz | 18,200 | 26,000 | 33,800 | pF |
| dimensions | ∅23.0 x 12 | | | | mm |
| weight | | | 3.4 | | g |
| material | ABS777D | | | | |
| terminal | pins (red copper with tin plating) | | | | |
| operating temperature | | -40 | | 85 | °C |
| storage temperature | | -40 | | 85 | °C |
| RoHS | yes | | | | |

Notes: 1. All specifications measured at 25±3°C, humidity at 60-70%, under 86-106 kPa pressure, unless otherwise noted.

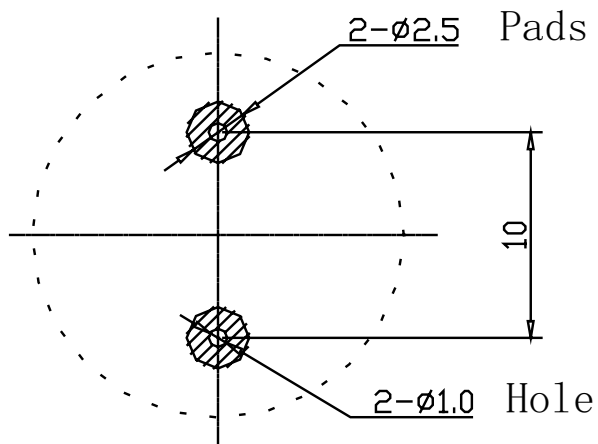
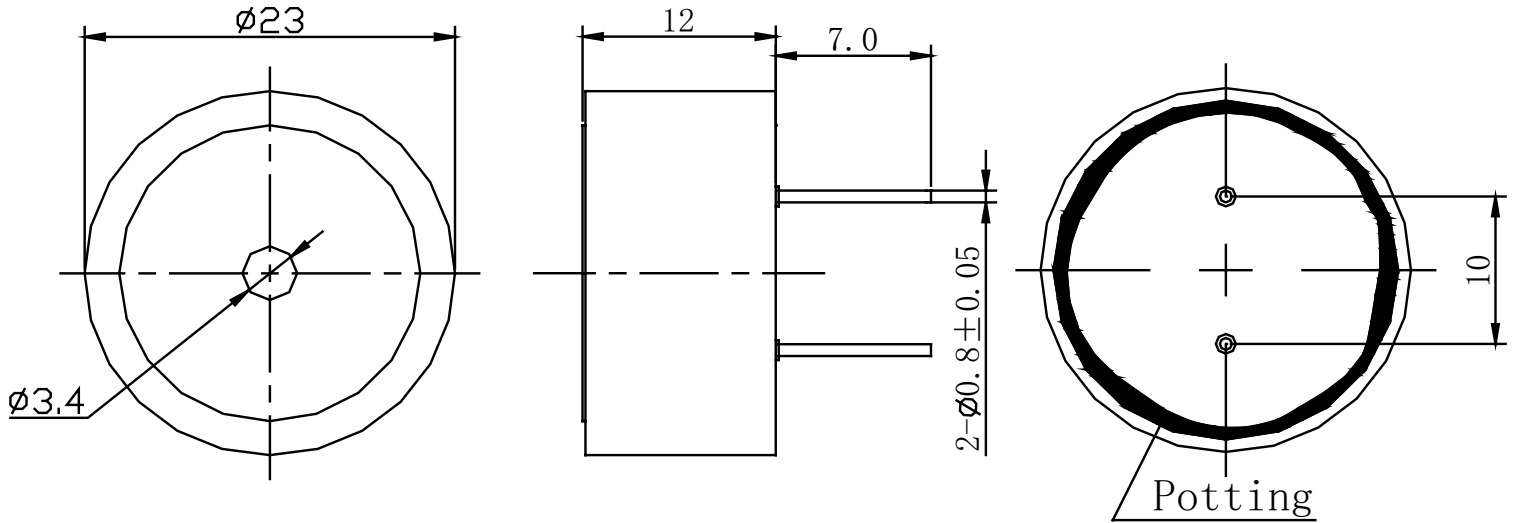
SOLDERABILITY

| parameter | conditions/description | min | typ | max | units |
|----------------|--|-----|-----|-----|-------|
| wave soldering | see recommended wave soldering profile | | | 250 | °C |



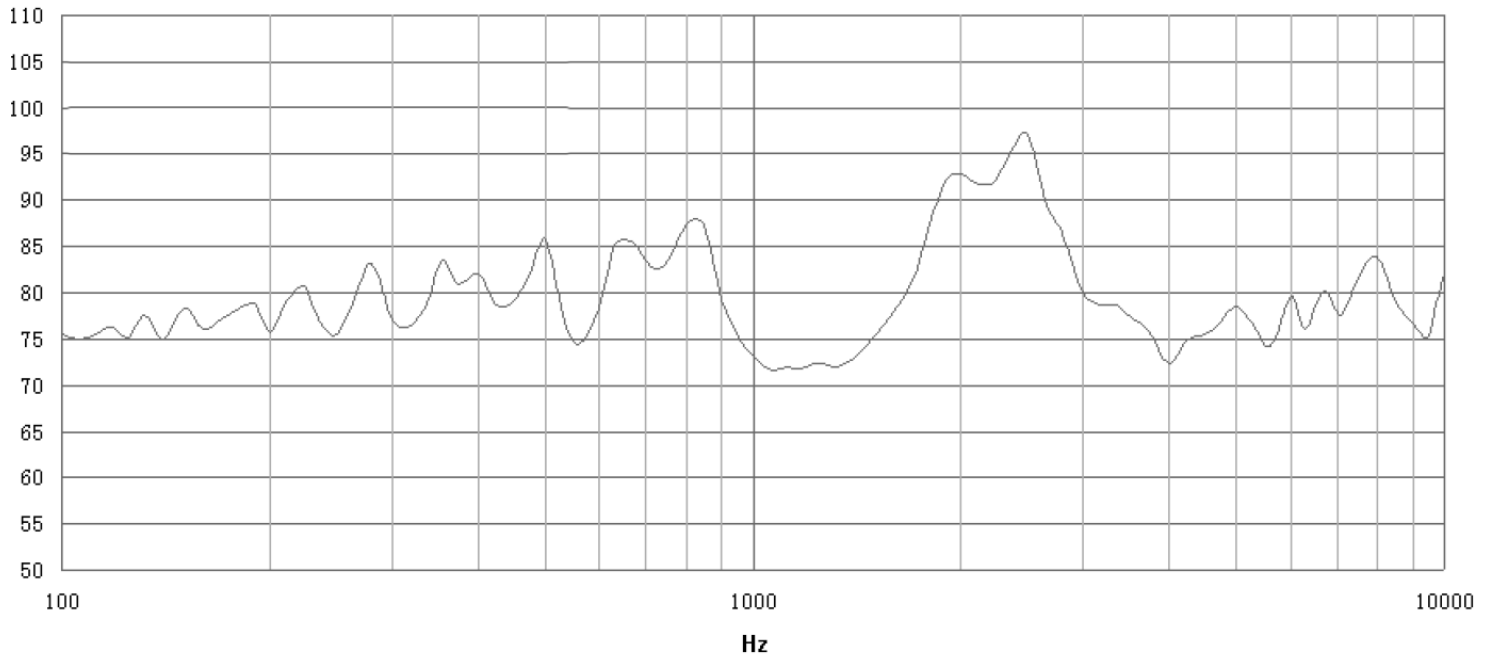
MECHANICAL DRAWING

units: mm
tolerance: ± 0.5 mm

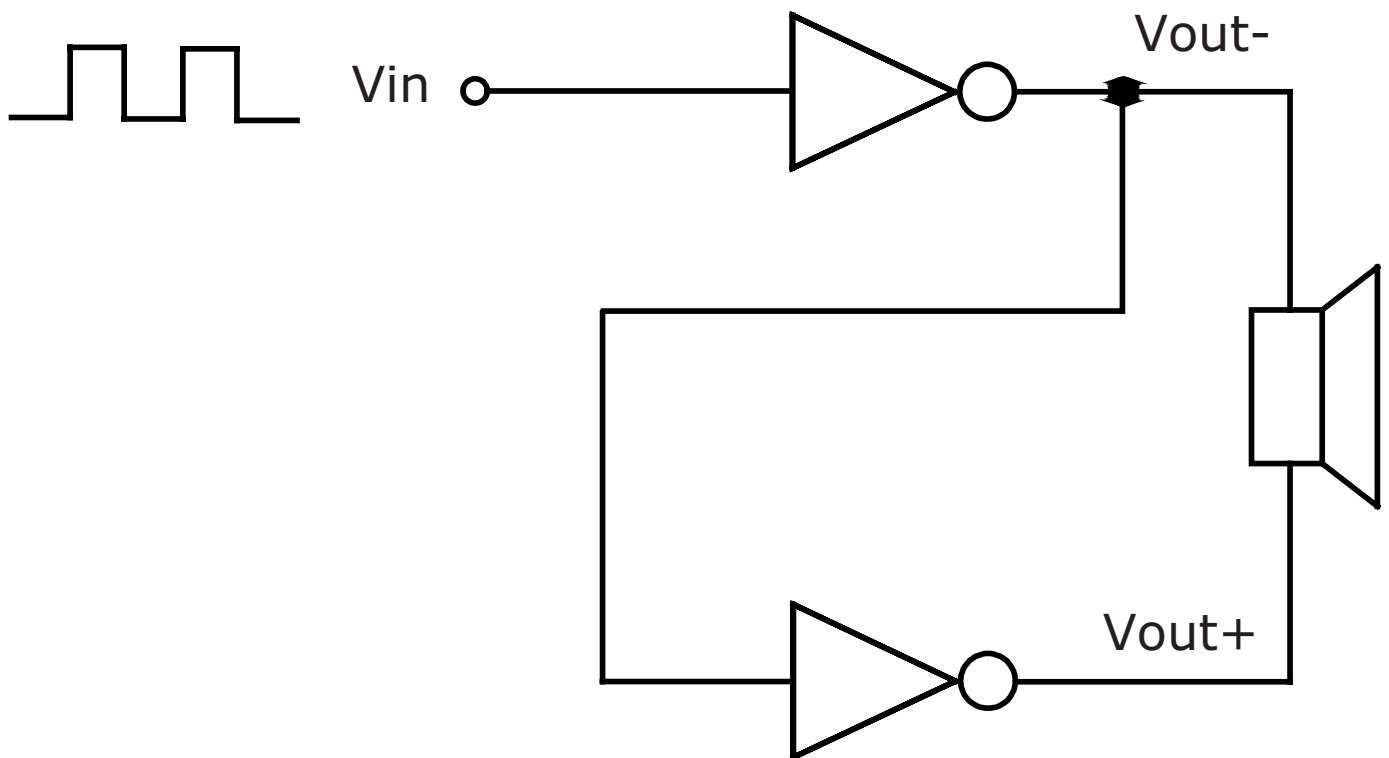


Recommended PCB Layout
Top View

FREQUENCY RESPONSE CURVE



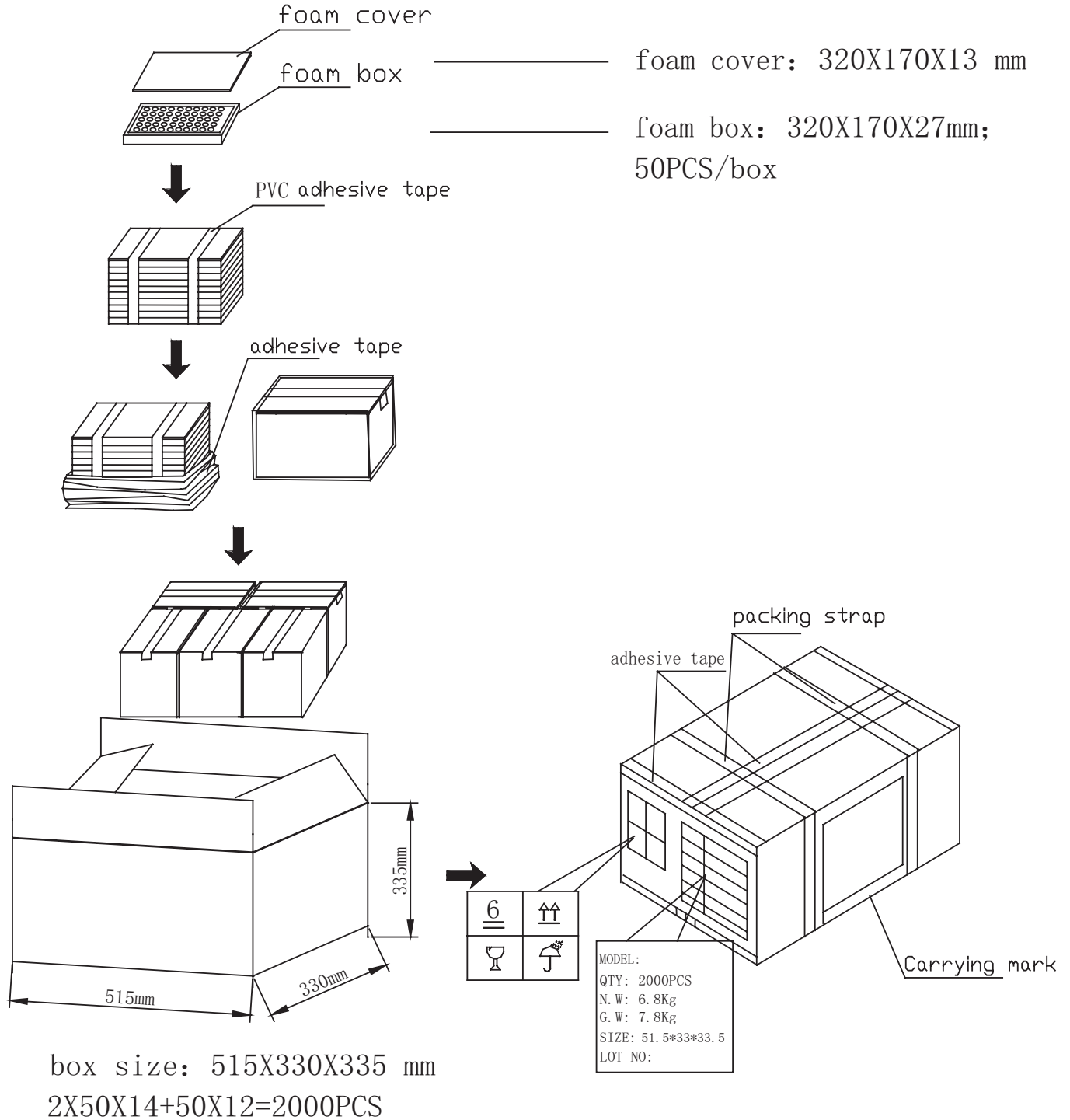
APPLICATION CIRCUIT



PACKAGING

units: mm

Carton Size: 515 x 330 x 335 mm
 Carton QTY: 2,000 pcs per carton



REVISION HISTORY

| rev. | description | date |
|------|-----------------------------------|------------|
| 1.0 | initial release | 07/16/2019 |
| 1.01 | brand update | 01/03/2020 |
| 1.02 | logo, datasheet style update | 08/05/2022 |
| 1.03 | CUI Devices rebranded to Same Sky | 09/11/2024 |

The revision history provided is for informational purposes only and is believed to be accurate.



Same Sky offers a one (1) year limited warranty. Complete warranty information is listed on our website.

Same Sky reserves the right to make changes to the product at any time without notice. Information provided by Same Sky is believed to be accurate and reliable. However, no responsibility is assumed by Same Sky for its use, nor for any infringements of patents or other rights of third parties which may result from its use.

Same Sky products are not authorized or warranted for use as critical components in equipment that requires an extremely high level of reliability. A critical component is any component of a life support device or system whose failure to perform can be reasonably expected to cause the failure of the life support device or system, or to affect its safety or effectiveness.

[sameskydevices.com](https://www.sameskydevices.com)