

**MODEL:** CPG-36-TH-TR | **DESCRIPTION:** POGO PIN**FEATURES**

- pogo pin
- surface mount
- gold plated

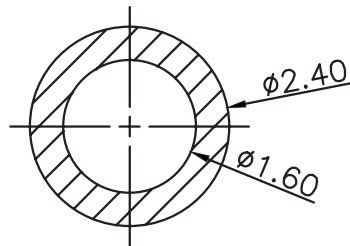
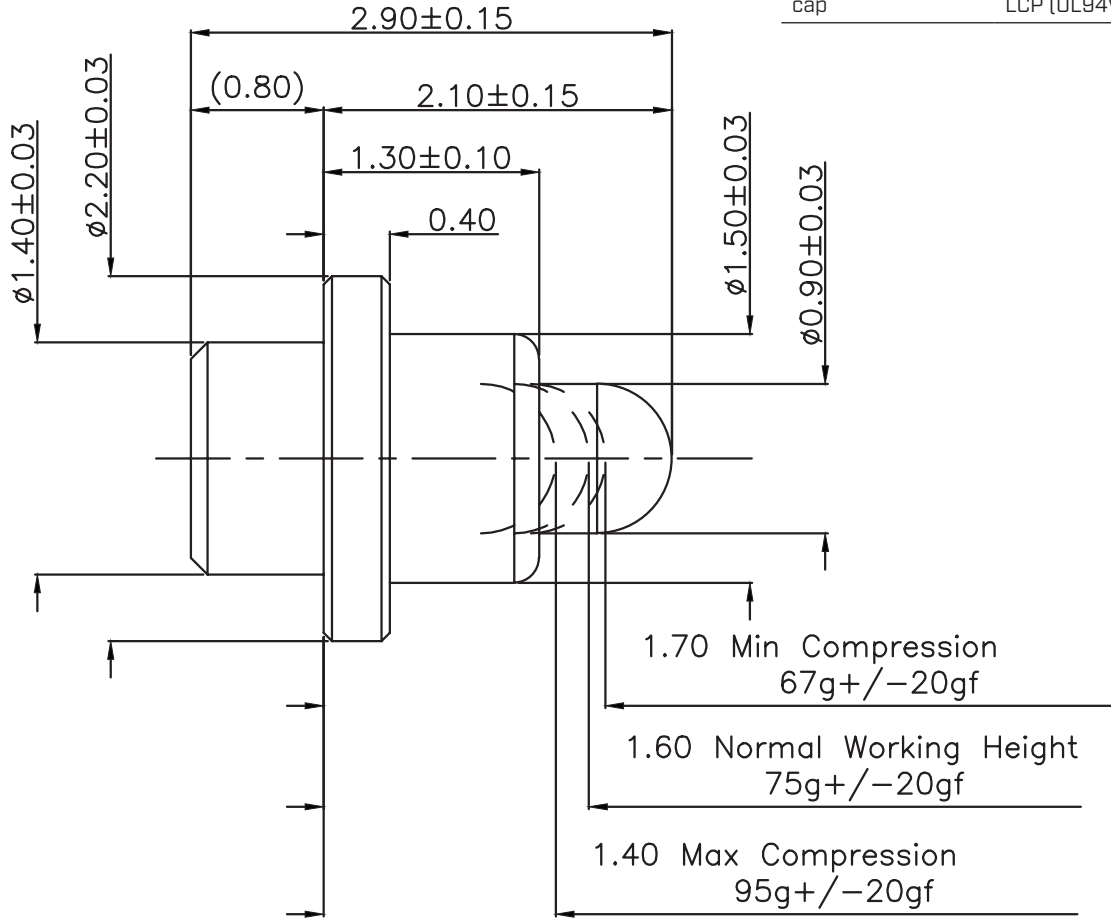
**SPECIFICATIONS**

| parameter | conditions/description | min | typ | max | units |
|-----------------------|------------------------|--------|-----|-----|--------|
| rated voltage | | | | 12 | Vdc |
| rated current | | | | 1 | A |
| contact resistance | at working height | | | 100 | mΩ |
| force | at minimum compression | 47 | 67 | 87 | gf |
| | at working height | 55 | 75 | 95 | gf |
| | at maximum compression | 75 | 95 | 115 | gf |
| mid stroke | | | 1.3 | | mm |
| full stroke | | | 1.5 | | mm |
| working height | | | 1.6 | | mm |
| life | | 10,000 | | | cycles |
| operating temperature | | -40 | | 85 | °C |
| RoHS | yes | | | | |

MECHANICAL DRAWING

units: mm
 tolerance:
 X.X: ±0.15 mm
 X.XX: ±0.10 mm
 PCB: ±0.05 mm
 unless otherwise noted

| DESCRIPTION | MATERIAL | PLATING/COLOR |
|-------------|----------------------|--|
| barrel | brass | 0.1 µm min gold over 0.125 µm min nickel |
| plunger | brass | 0.25 µm min gold over 1.25 µm min nickel |
| spring | stainless steel wire | |
| cap | LCP (UL94V-0) | black |



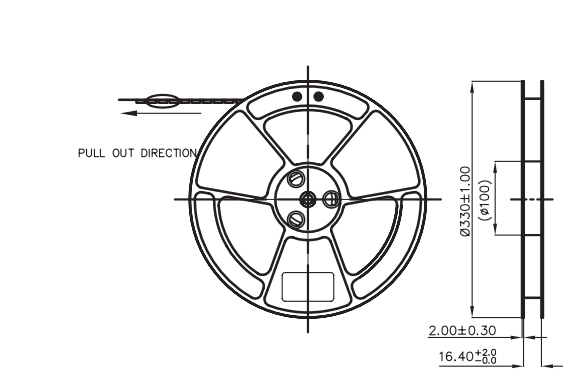
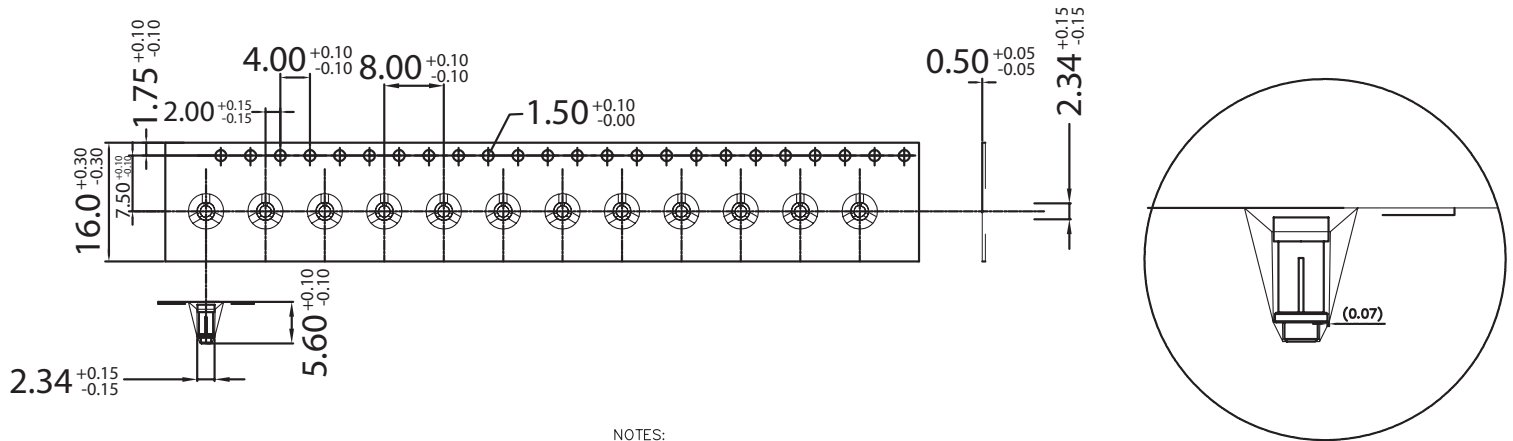
Recommended PCB Layout
 Top View

PACKAGING

units: mm

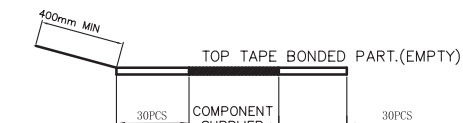
Reel Size: Ø330 mm

Reel QTY: 1,500 pcs per reel



NOTES:

1. NUMBER OF CONNECTORS : 1500 PCS/REEL
2. LEAD TAPE LENGTH



3. PEELING OFF FORCE OF TOP TAPE : 10.2gf ~ 71.4gf
PULL OUT DIRECTION

4. Reel Package MATERIAL
CARRIER TAPE: PET
TOP TAPE: PET
REEL: PS (RECYCLE MATERIAL CONTAINED)

Detail
5:1

REVISION HISTORY

| rev. | description | date |
|------|-----------------|------------|
| 1.0 | initial release | 11/07/2024 |

The revision history provided is for informational purposes only and is believed to be accurate.



Same Sky offers a one (1) year limited warranty. Complete warranty information is listed on our website.

Same Sky reserves the right to make changes to the product at any time without notice. Information provided by Same Sky is believed to be accurate and reliable. However, no responsibility is assumed by Same Sky for its use, nor for any infringements of patents or other rights of third parties which may result from its use.

Same Sky products are not authorized or warranted for use as critical components in equipment that requires an extremely high level of reliability. A critical component is any component of a life support device or system whose failure to perform can be reasonably expected to cause the failure of the life support device or system, or to affect its safety or effectiveness.

[sameskydevices.com](https://www.sameskydevices.com)