



**MODEL:** CPE-502 | **DESCRIPTION:** PIEZO BUZZER TRANSDUCER

**FEATURES**

- piezo transducer
- right-angle mount
- wide operating temperature



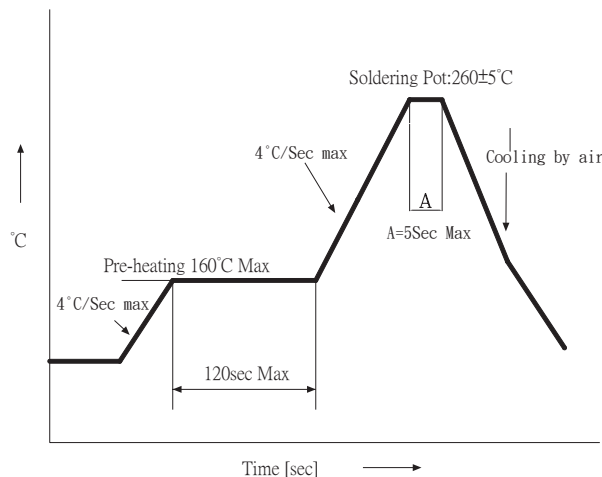
**SPECIFICATIONS**

parameter	conditions/description	min	typ	max	units
operating voltage				30	Vp-p
current consumption	at 10Vp-p, 3,300 Hz square wave			10	mA
rated frequency			3,300		Hz
sound pressure level	at 10 cm, 10Vp-p, 3,300 Hz square wave	93			dB
electrostatic capacity	at 1 KHz/1 V	11,900	17,000	22,100	pF
dimensions	25.0 x 24.0 x 10.0				mm
weight				3.7	g
material	PC+10% glass (black)				
terminal	pin type (Au plating)				
operating temperature		-30		115	°C
storage temperature		-40		125	°C
RoHS	yes				

Notes: 1. All specifications measured at 5-35°C, humidity at 45-85%, under 86-106kPa pressure, unless otherwise noted.

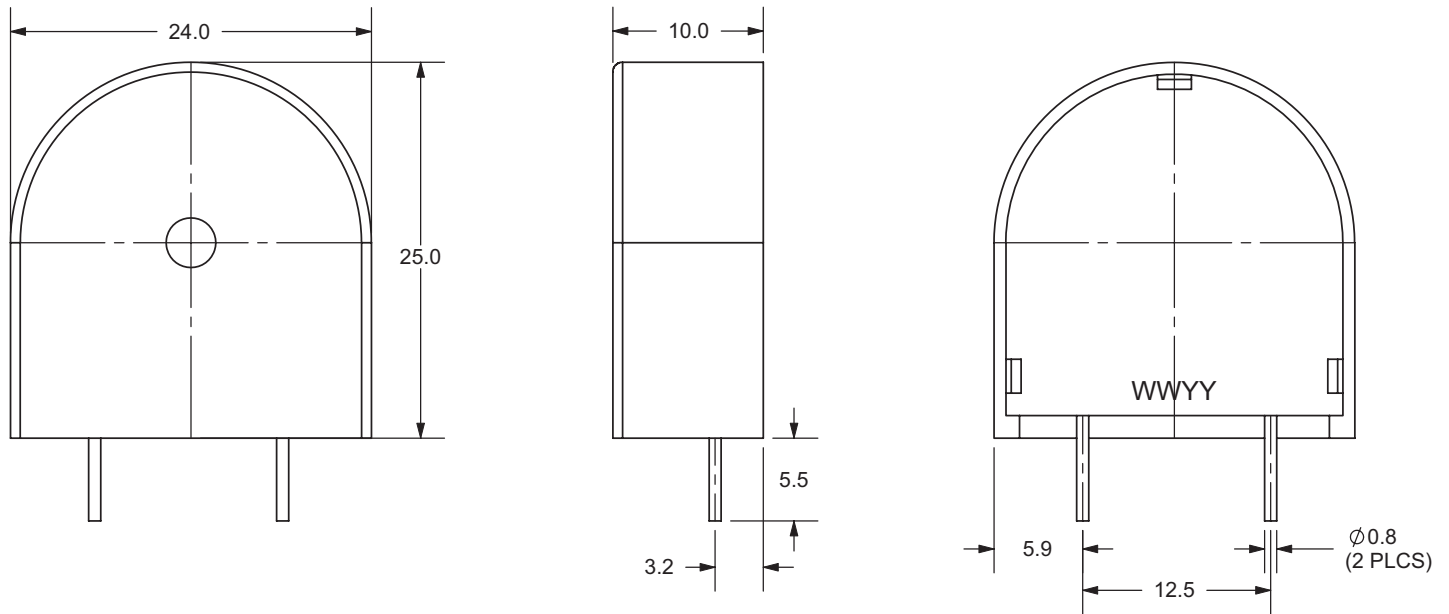
**SOLDERABILITY**

parameter	conditions/description	min	typ	max	units
wave soldering	see wave solder profile	255	260	265	°C



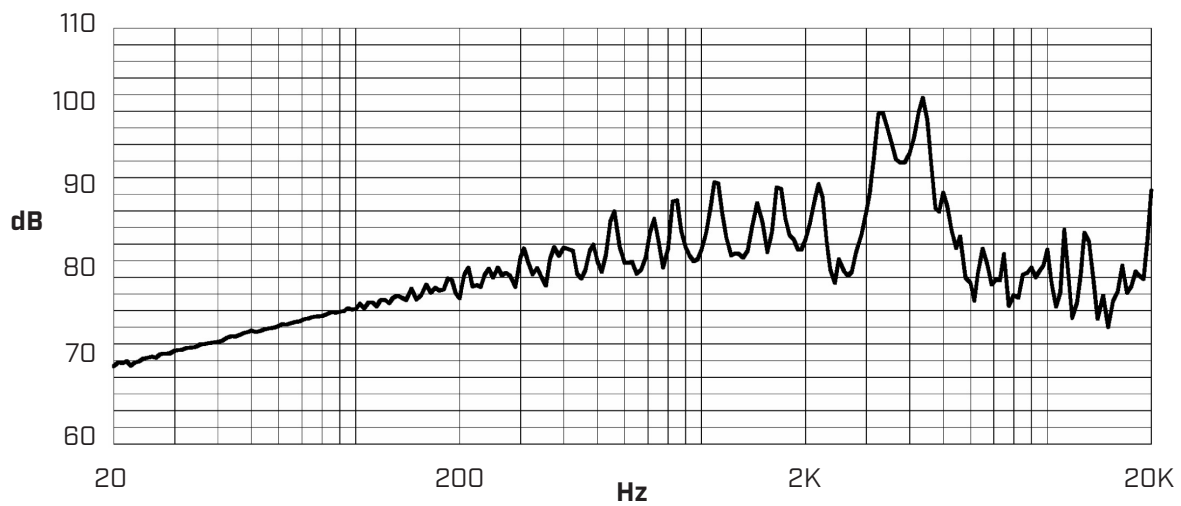
## MECHANICAL DRAWING

units: mm  
tolerance: ±0.5 mm



## FREQUENCY RESPONSE CURVE

A: frequency response. Magn dB re 20.00 $\mu$ PA



## REVISION HISTORY

rev.	description	date
1.0	initial release	11/12/2007
1.01	applied new spec template	06/25/2015
1.02	brand update	03/16/2020
1.03	logo, datasheet style update	08/05/2022
1.04	CUI Devices rebranded to Same Sky	09/11/2024

The revision history provided is for informational purposes only and is believed to be accurate.



Same Sky offers a one (1) year limited warranty. Complete warranty information is listed on our website.

Same Sky reserves the right to make changes to the product at any time without notice. Information provided by Same Sky is believed to be accurate and reliable. However, no responsibility is assumed by Same Sky for its use, nor for any infringements of patents or other rights of third parties which may result from its use.

Same Sky products are not authorized or warranted for use as critical components in equipment that requires an extremely high level of reliability. A critical component is any component of a life support device or system whose failure to perform can be reasonably expected to cause the failure of the life support device or system, or to affect its safety or effectiveness.

[sameskydevices.com](https://www.sameskydevices.com)