


MODEL: CPE-400AC | **DESCRIPTION:** PIEZO BUZZER INDICATOR

FEATURES

- wire lead with panel-mount tabs
- 12 Vac rating
- 89 dB
- 3.1 kHz rated frequency

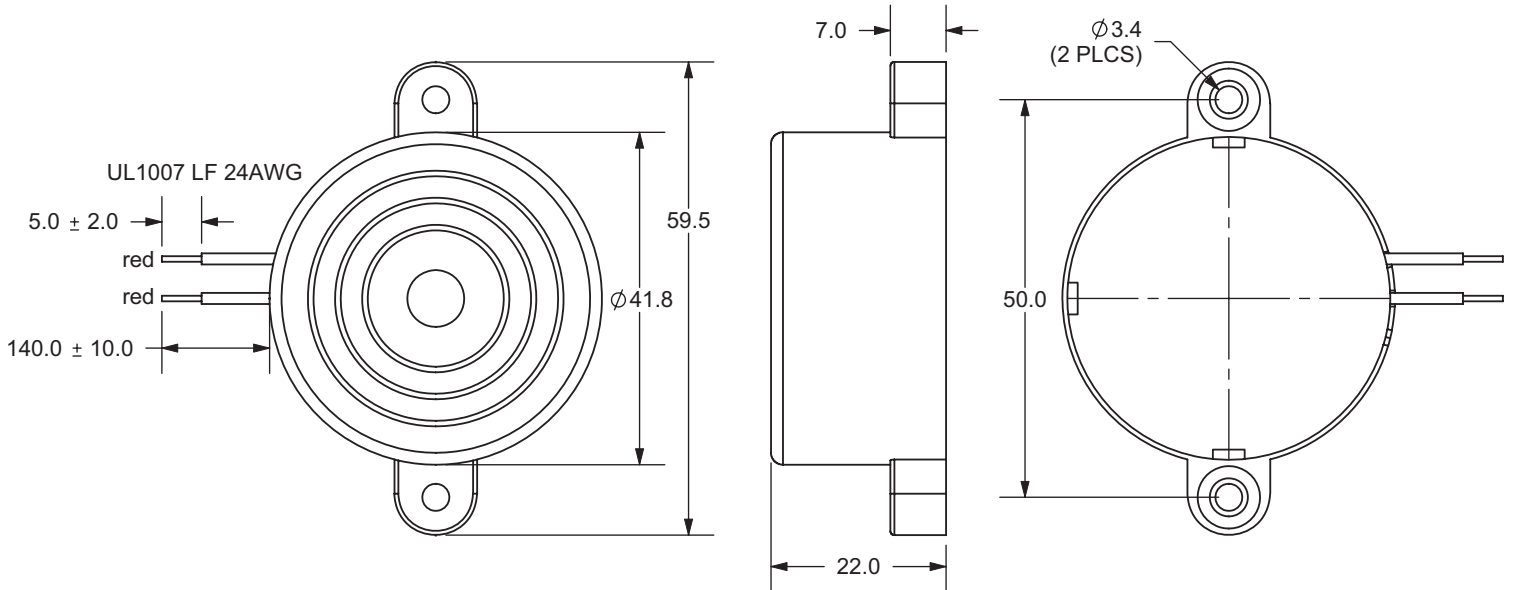

SPECIFICATIONS

parameter	conditions/description	min	typ	max	units
rated voltage			12		Vac
operating voltage		3		30	Vac/Vdc
current consumption	at rated voltage			8	mA
rated frequency		2,600	3,100	3,600	Hz
sound pressure level	at 30 cm, rated voltage	89			dB
dimensions	∅41.8 x 22.0				mm
weight				15.7	g
material	ABS UL94 1/16" HB				
terminal	wire leads				
operating temperature		-30		85	°C
storage temperature		-40		95	°C
RoHS	yes				

Notes: 1. All specifications measured at 5-35°C, humidity at 45-85%, under 86-106kPa pressure, unless otherwise noted.

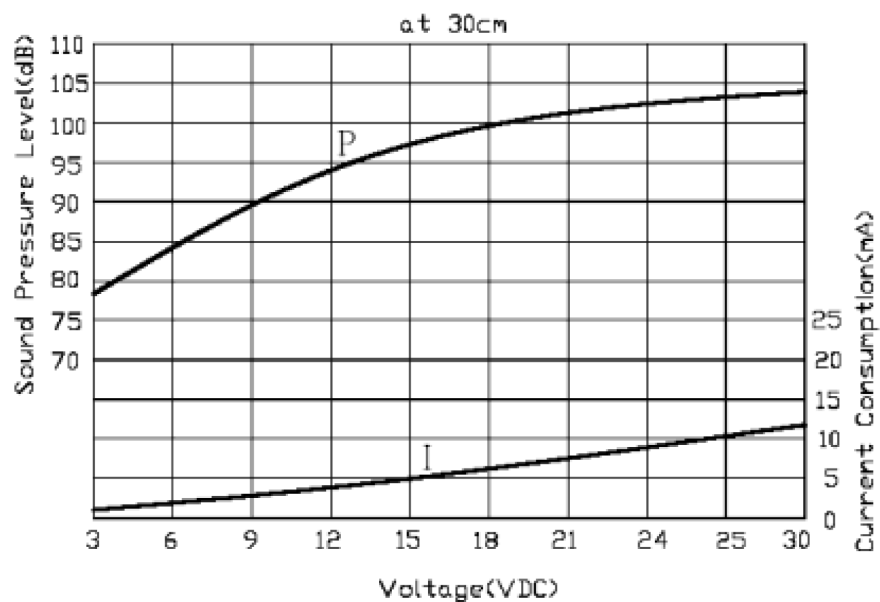
MECHANICAL DRAWING

units: mm
tolerance: ±0.5 mm



PERFORMANCE CURVES

P: Voltage vs. Sound Pressure Level
I: Voltage vs. Current Consumption



REVISION HISTORY

rev.	description	date
1.0	initial release	11/12/2007
1.01	brand update	12/16/2019
1.02	logo, datasheet style update	08/05/2022
1.03T	CUI Devices rebranded to Same Sky	09/11/2024

The revision history provided is for informational purposes only and is believed to be accurate.



Same Sky offers a one (1) year limited warranty. Complete warranty information is listed on our website.

Same Sky reserves the right to make changes to the product at any time without notice. Information provided by Same Sky is believed to be accurate and reliable. However, no responsibility is assumed by Same Sky for its use, nor for any infringements of patents or other rights of third parties which may result from its use.

Same Sky products are not authorized or warranted for use as critical components in equipment that requires an extremely high level of reliability. A critical component is any component of a life support device or system whose failure to perform can be reasonably expected to cause the failure of the life support device or system, or to affect its safety or effectiveness.

[sameskydevices.com](https://www.sameskydevices.com)