

MODEL: CPE-121 | **DESCRIPTION:** PIEZO BUZZER TRANSDUCER**FEATURES**

- wire leads with feedback
- 12 Vdc rating
- low profile
- 4.5 kHz rated frequency

**SPECIFICATIONS**

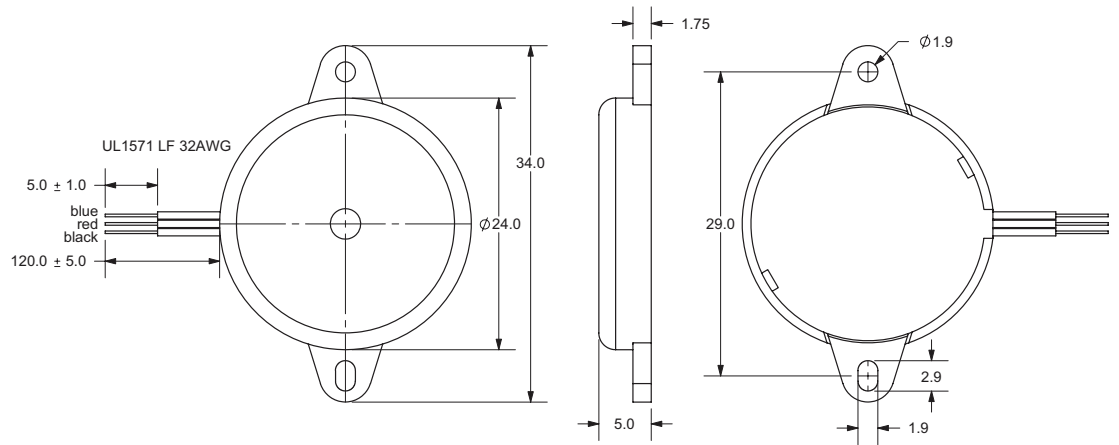
parameter	conditions/description	min	typ	max	units
rated voltage			12		Vdc
operating voltage		3		28	Vdc
current consumption	at rated voltage			13	mA
rated frequency		4,000	4,500	5,000	Hz
sound pressure level	at 30 cm, rated voltage	83			dB
dimensions	∅24.0 x 5.0				mm
weight				7.4	g
material	ABS UL94 1/16" HB High Heat (black)				
terminal	wire leads				
operating temperature		-30		85	°C
storage temperature		-40		95	°C
RoHS	yes				

Notes: 1. All specifications measured at 5-35°C, humidity at 45-85%, under 86-106kPa pressure, unless otherwise noted.

MECHANICAL DRAWING

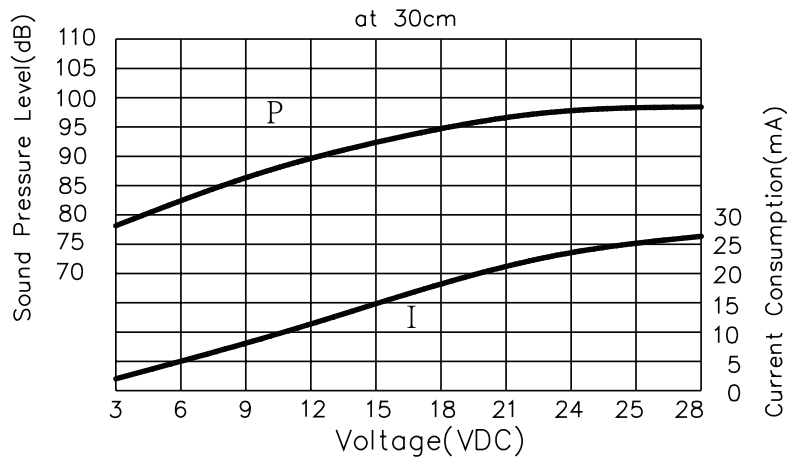
units: mm
tolerance: ±0.5 mm

WIRE CONNECTIONS	
Color	Function
Red	+terminal (M)
Black	-terminal (G)
Blue	feedback (F)

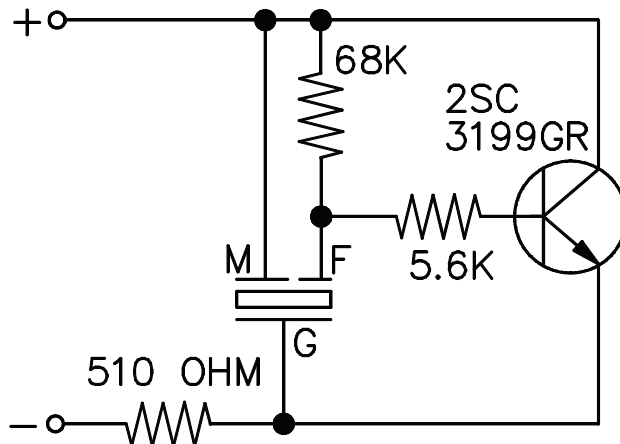


PERFORMANCE CURVES

P: Voltage vs. Sound Pressure Level
I: Voltage vs. Current Consumption



DRIVING CIRCUIT



Notes: 1. The current consumption and the sound pressure level are measured by using the recommended driving circuit shown above.

REVISION HISTORY

rev.	description	date
1.0	initial release	11/12/2007
1.01	applied new spec template	06/25/2015
1.02	brand update	11/18/2019
1.03	logo, datasheet style update	08/05/2022
1.04	CUI Devices rebranded to Same Sky	09/11/2024

The revision history provided is for informational purposes only and is believed to be accurate.



Same Sky offers a one (1) year limited warranty. Complete warranty information is listed on our website.

Same Sky reserves the right to make changes to the product at any time without notice. Information provided by Same Sky is believed to be accurate and reliable. However, no responsibility is assumed by Same Sky for its use, nor for any infringements of patents or other rights of third parties which may result from its use.

Same Sky products are not authorized or warranted for use as critical components in equipment that requires an extremely high level of reliability. A critical component is any component of a life support device or system whose failure to perform can be reasonably expected to cause the failure of the life support device or system, or to affect its safety or effectiveness.

[sameskydevices.com](https://www.sameskydevices.com)