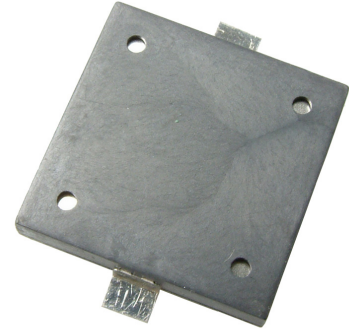


**MODEL:** CMT-1603-SMT-TR | **DESCRIPTION:** PIEZO BUZZER TRANSDUCER

**FEATURES**

- low current
- low profile
- externally driven


**SPECIFICATIONS**

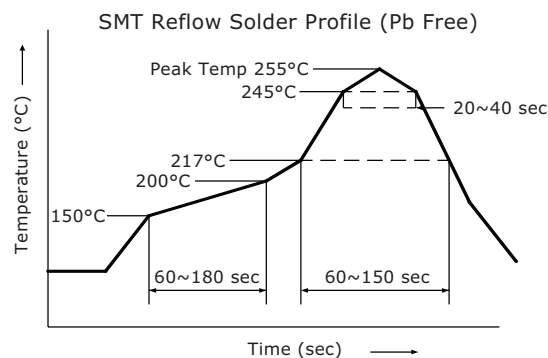
| parameter              | conditions/description                 | min   | typ    | max    | units |
|------------------------|--|-------|--------|--------|-------|
| operating voltage      |  |       |        | 25     | Vp-p  |
| current consumption    | at 3 Vp-p, 4,000 Hz square wave        |       |        | 3      | mA    |
| rated frequency        |  |       | 4,000  |        | Hz    |
| sound pressure level   | at 10 cm, 3 Vp-p, 4,000 Hz square wave | 70    |        |        | dB    |
| electrostatic capacity | at 1 kHz/1 V                           | 9,800 | 14,000 | 18,200 | pF    |
| dimensions             | 16 x 16 x 2.6                          |       |        |        | mm    |
| weight                 |  |       |        | 0.96   | g     |
| material               | LCP (white)                            |       |        |        |       |
| terminal               | SMT type [Au plating]                  |       |        |        |       |
| operating temperature  |  | -30   |        | 70     | °C    |
| storage temperature    |  | -40   |        | 85     | °C    |
| RoHS                   | yes                                    |       |        |        |       |

Notes: 1. All specifications measured at 5-35°C, humidity at 45-85%, under 86-106 kPa pressure, unless otherwise noted.

**SOLDERABILITY**

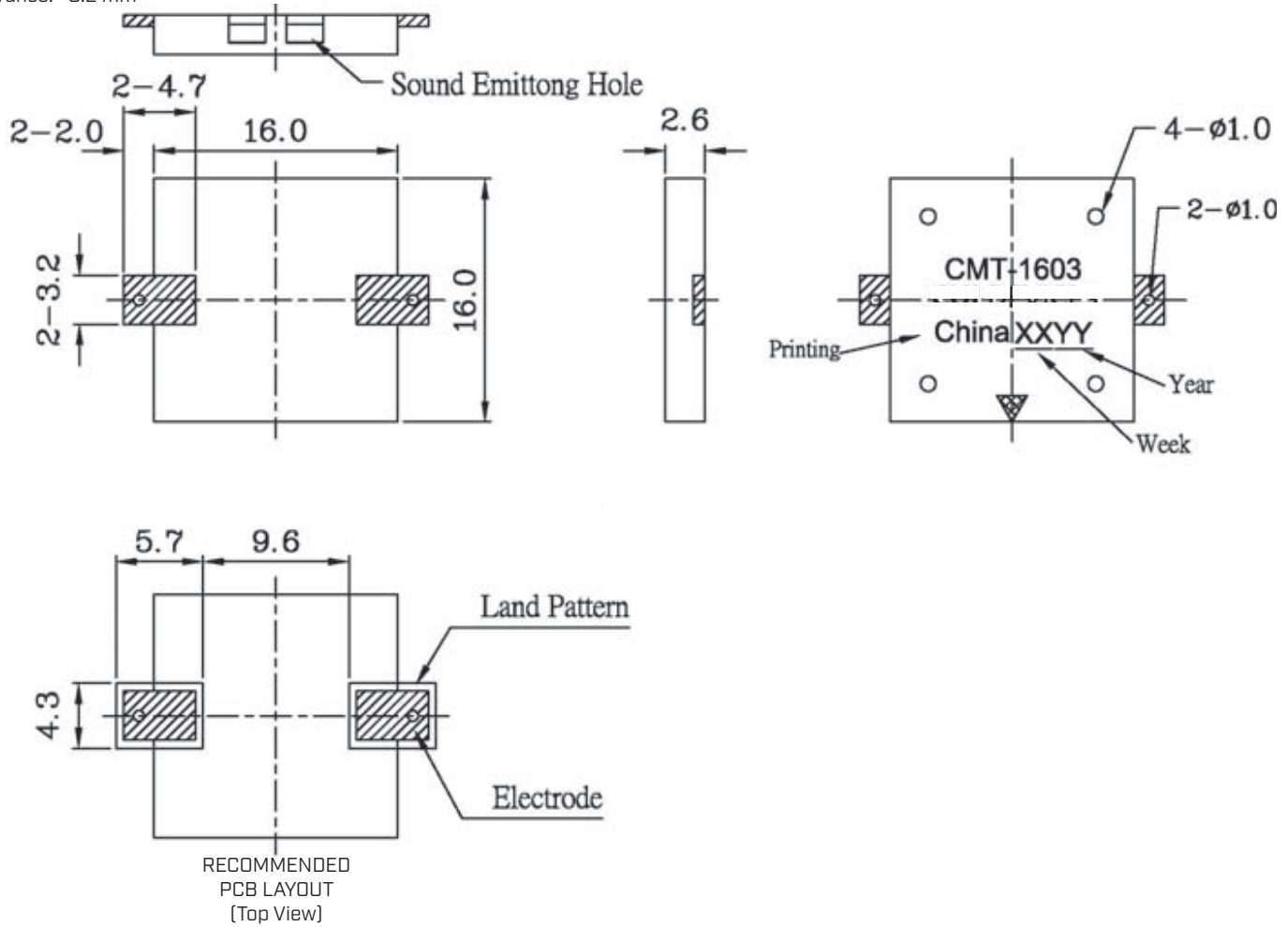
| parameter                      | conditions/description                   | min | typ | max | units |
|--------------------------------|--|-----|-----|-----|-------|
| reel storage                   | at relative humidity <60%                |     |     | 30  | °C    |
| reflow soldering <sup>2</sup>  | see recommended reflow soldering profile |     |     | 255 | °C    |
| drying conditions <sup>3</sup> | bake at 40°C for 24 hours                |     |     |     |       |

Note: 2. It is recommended to reflow solder within 48 hours from opening vacuum packaging at a temperature <30°C & relative humidity <60%.  
3. When out of packaging for more than 48 hours.

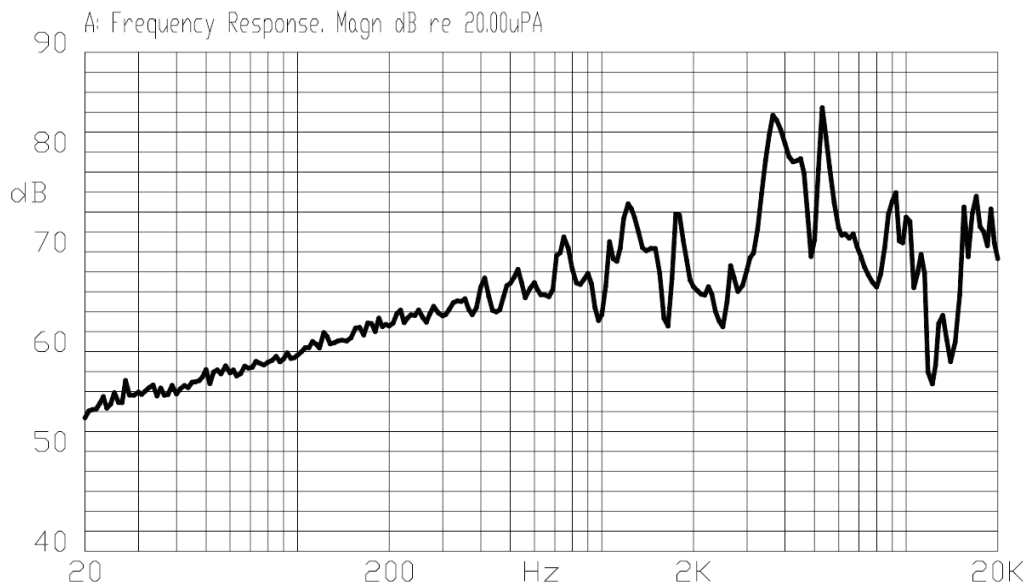


## MECHANICAL DRAWING

units: mm  
tolerance: ±0.2 mm



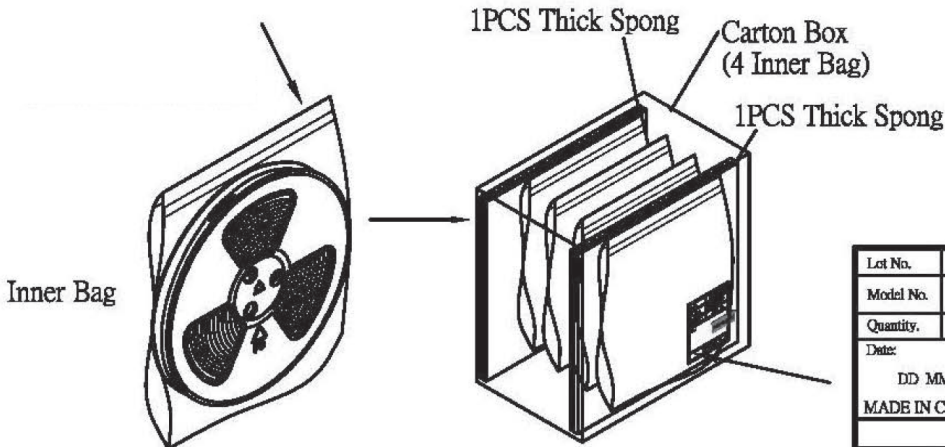
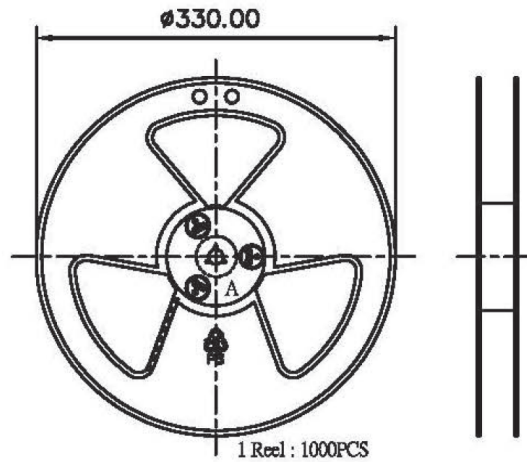
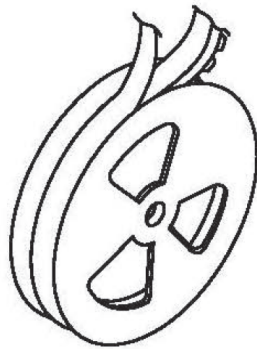
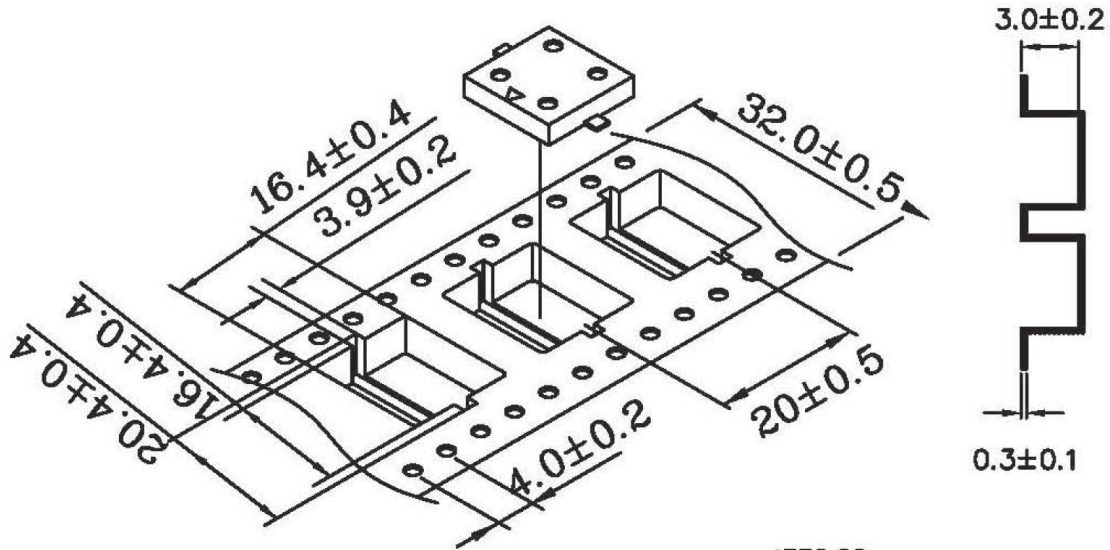
## FREQUENCY RESPONSE CURVE



## PACKAGING

units: mm

Reel Size:  $\varnothing 330$  mm  
 Carton Size: 340 x 170 x 340 mm  
 Reel QTY: 1,000 pcs per reel  
 Carton QTY: 4,000 pcs per carton



|               |                                |
|---------------|--------------------------------|
| Lot No.       | XXXXXXXXXX                     |
| Model No.     | XXXXXXXXXX<br>XXXXXXXXXX       |
| Quantity.     | XXXX Pcs                       |
| Date:         | DD MM YY <b>RoHS Compliant</b> |
| MADE IN CHINA |                                |

Vacuum bag contains desiccant

## REVISION HISTORY

| rev. | description  | date       |
|------|--|------------|
| 1.0  | initial release  | 06/03/2005 |
| 1.01 | applied new template   | 09/19/2006 |
| 1.02 | updated part number, added TR package option, applied new spec template  | 05/13/2013 |
| 1.03 | updated pin plating  | 05/24/2016 |
| 1.04 | added storage and drying conditions, and tape and reel packaging details | 07/25/2019 |
| 1.05 | brand update   | 01/06/2020 |
| 1.06 | updated packaging  | 10/22/2020 |
| 1.07 | logo, datasheet style update   | 08/05/2022 |
| 1.08 | CUI Devices rebranded to Same Sky  | 09/11/2024 |

The revision history provided is for informational purposes only and is believed to be accurate.



Same Sky offers a one (1) year limited warranty. Complete warranty information is listed on our website.

Same Sky reserves the right to make changes to the product at any time without notice. Information provided by Same Sky is believed to be accurate and reliable. However, no responsibility is assumed by Same Sky for its use, nor for any infringements of patents or other rights of third parties which may result from its use.

Same Sky products are not authorized or warranted for use as critical components in equipment that requires an extremely high level of reliability. A critical component is any component of a life support device or system whose failure to perform can be reasonably expected to cause the failure of the life support device or system, or to affect its safety or effectiveness.

[sameskydevices.com](https://www.sameskydevices.com)