



**MODEL:** CMT-1209-590T | **DESCRIPTION:** MAGNETIC BUZZER TRANSDUCER

**FEATURES**

- round
- 5 mm pin pitch
- rated frequency 2048 Hz



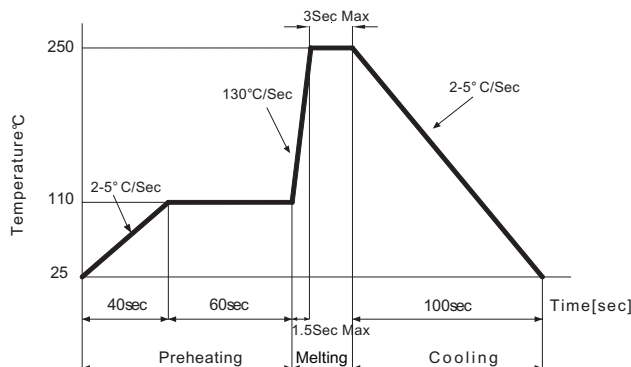
**SPECIFICATIONS**

| parameter             | conditions/description                                | min | typ   | max  | units |
|-----------------------|---|-----|-------|------|-------|
| rated voltage         |   |     | 5.0   |      | Vo-p  |
| operating voltage     |   | 3.0 |       | 7.0  | Vo-p  |
| current consumption   | at rated voltage, 2,048 Hz, ½ duty square wave        |     |       | 65   | mA    |
| rated frequency       |   |     | 2,048 |      | Hz    |
| sound pressure level  | at 10 cm, rated voltage, 2,048 Hz, ½ duty square wave | 85  | 90    |      | dBA   |
| coil resistance       |   | 25  | 30    | 35   | Ω     |
| dimensions            | ∅12.0 x 9.0   |     |       |      | mm    |
| weight                |   |     |       | 1.80 | g     |
| material              | PBT (black)   |     |       |      |       |
| terminal              | pins (tin plating)                                    |     |       |      |       |
| operating temperature |   | -40 |       | 85   | °C    |
| storage temperature   |   | -40 |       | 85   | °C    |
| washable              | yes   |     |       |      |       |
| RoHS                  | yes   |     |       |      |       |

Notes: 1. All specifications measured at 5-35 °C, humidity at 45-85%, under 86-106 kPa pressure, unless otherwise noted.

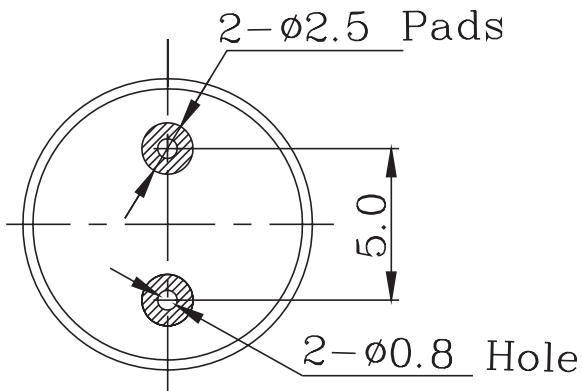
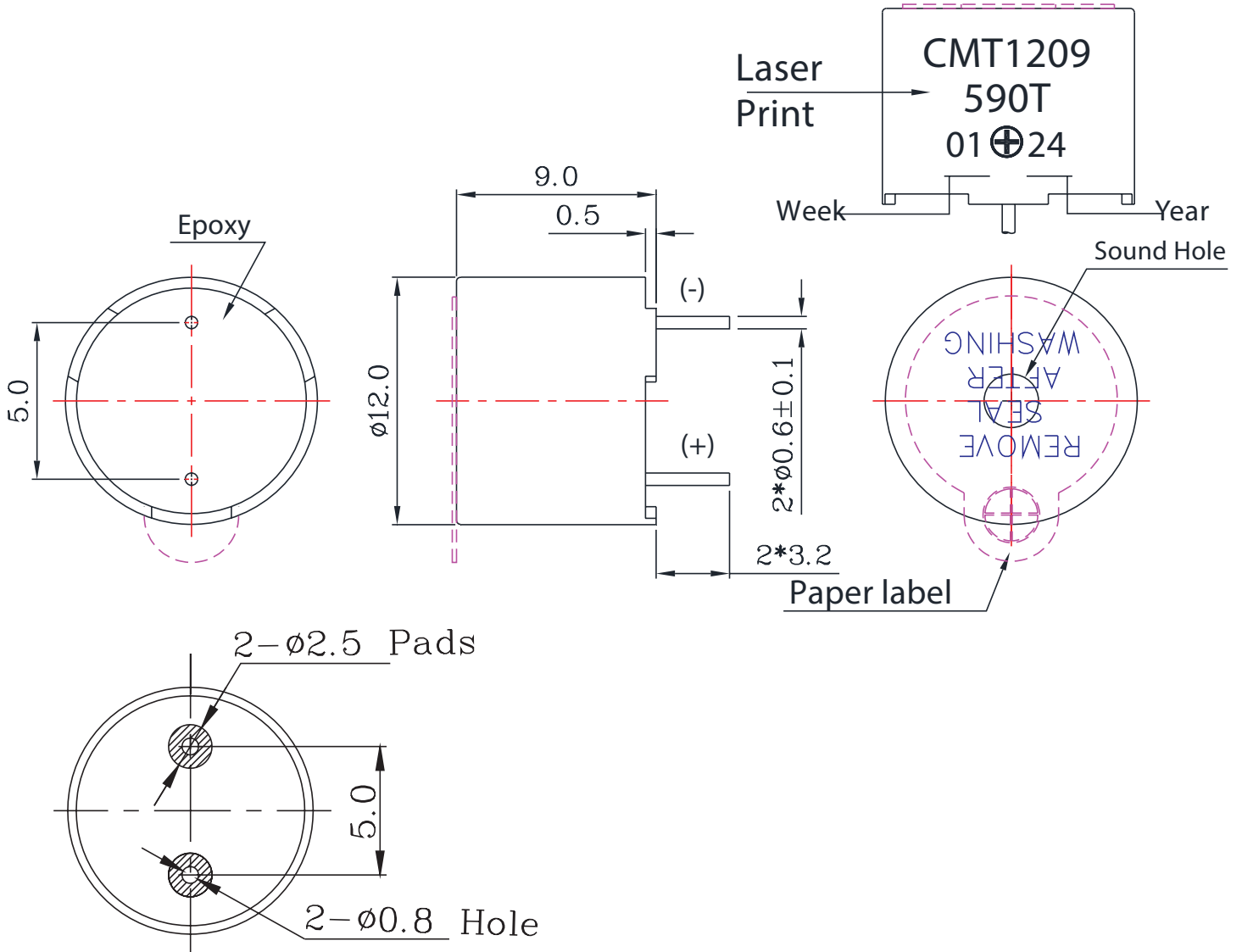
**SOLDERABILITY**

| parameter      | conditions/description                 | min | typ | max | units |
|----------------|--|-----|-----|-----|-------|
| hand soldering | for maximum 3 seconds                  | 330 |     | 360 | °C    |
| wave soldering | see recommended wave soldering profile |     |     | 250 | °C    |



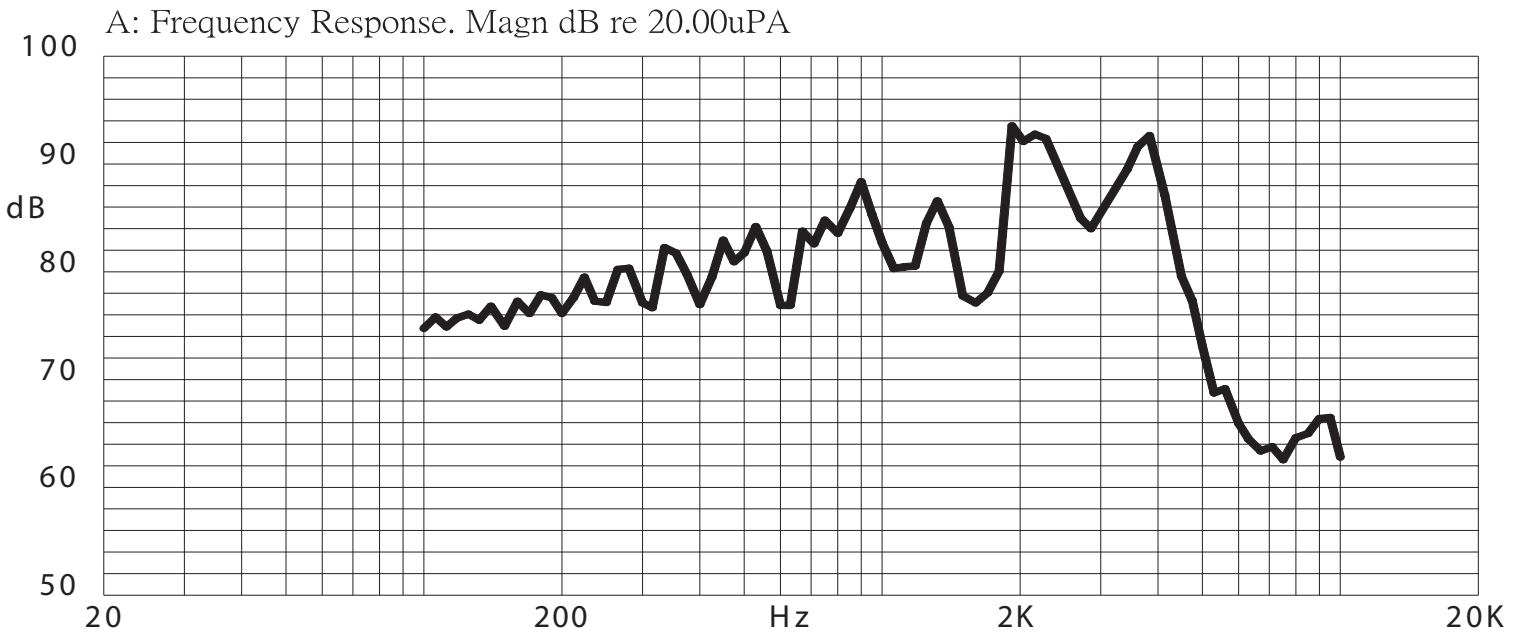
## MECHANICAL DRAWING

units: mm  
tolerance: ±0.5 mm

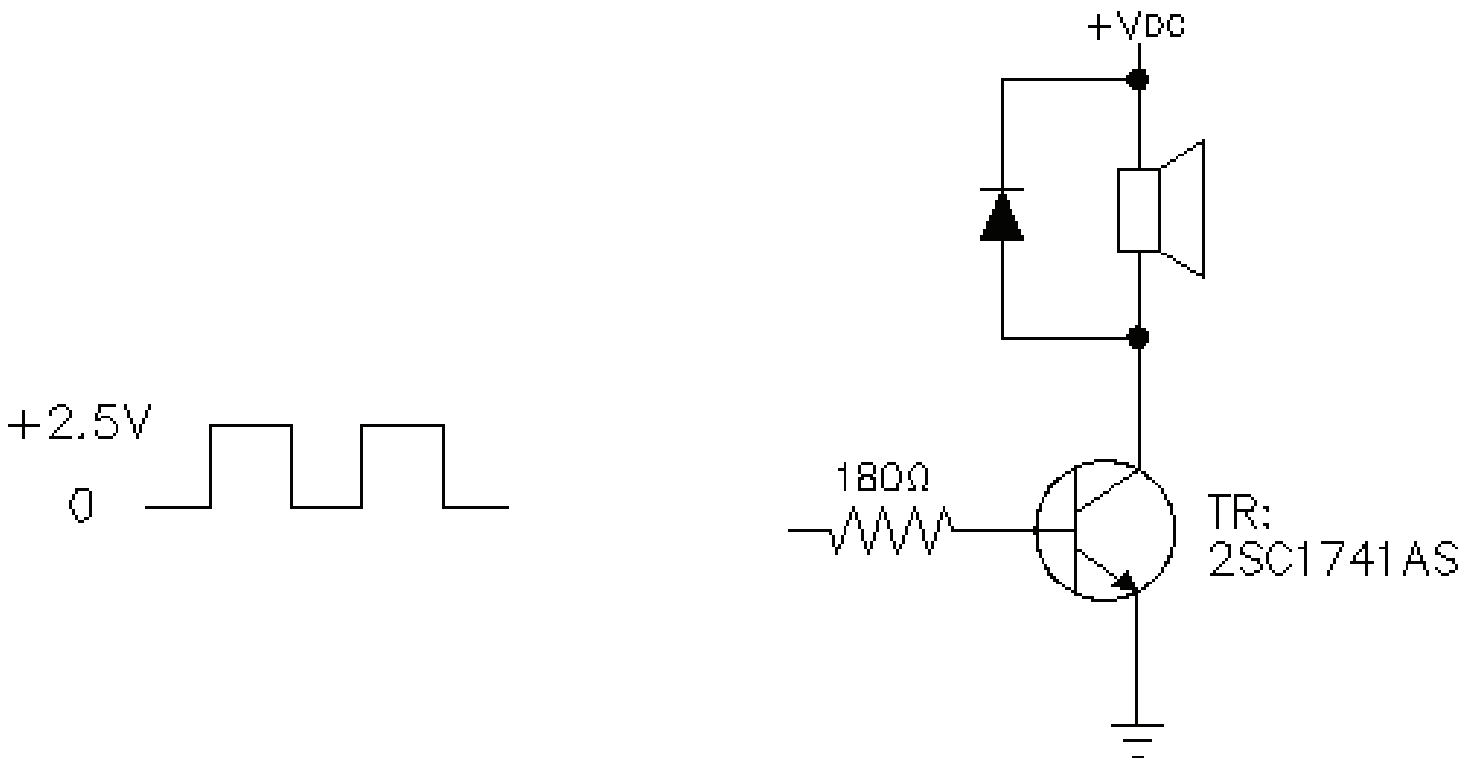


Recommended PCB Layout  
Top View

## FREQUENCY RESPONSE CURVE



## APPLICATION CIRCUIT



## REVISION HISTORY

| rev. | description     | date       |
|------|-----------------|------------|
| 1.0  | initial release | 04/30/2024 |

The revision history provided is for informational purposes only and is believed to be accurate.



CUI Devices offers a one (1) year limited warranty. Complete warranty information is listed on our website.

CUI Devices reserves the right to make changes to the product at any time without notice. Information provided by CUI Devices is believed to be accurate and reliable. However, no responsibility is assumed by CUI Devices for its use, nor for any infringements of patents or other rights of third parties which may result from its use.

CUI Devices products are not authorized or warranted for use as critical components in equipment that requires an extremely high level of reliability. A critical component is any component of a life support device or system whose failure to perform can be reasonably expected to cause the failure of the life support device or system, or to affect its safety or effectiveness.

[cuidevices.com](http://cuidevices.com)