



MODEL: CMS-29958F | DESCRIPTION: SPEAKER

FEATURES

- miniature speaker
- 650 Hz resonant frequency
- ferrite magnet



SPECIFICATIONS

parameter	conditions/description	min	typ	max	units
input power	maximum power: IEC-60268-5, filter 60s on/120s off, 10 cycles at room temp		0.1	0.2	W
impedance	at 1.0 kHz, 1.0 V	6.8	8	9.2	Ω
resonant frequency (Fo)	at 1.0 V	520	650	780	Hz
frequency response	output SPL ± 10 dB	Fo		4,000	Hz
sound pressure level	at 0.1 W, 0.1 m ave, at 1.0, 1.2, 1.5, 2.0 kHz	85	88	91	dB
	at 1 W, 1 m ave, at 1.0, 1.2, 1.5, 2.0 kHz	75	78	81	dB
distortion	at 1.0 kHz, 0.1 W			10	%
buzz, rattle, etc.	must be normal at sine wave between Fo ~ 4,000 kHz		0.89		V
dimensions	$\varnothing 29.0 \times 9.5$				mm
magnet	ferrite ($\varnothing 16.0 \times 7 \times 5$ mm)				
material	ABS UL-94 1/16" HB				
cone material	PET				
terminal	solder pads				
weight			8.0		g
operating temperature		-20		55	$^{\circ}\text{C}$
storage temperature		-20		55	$^{\circ}\text{C}$
RoHS	yes				

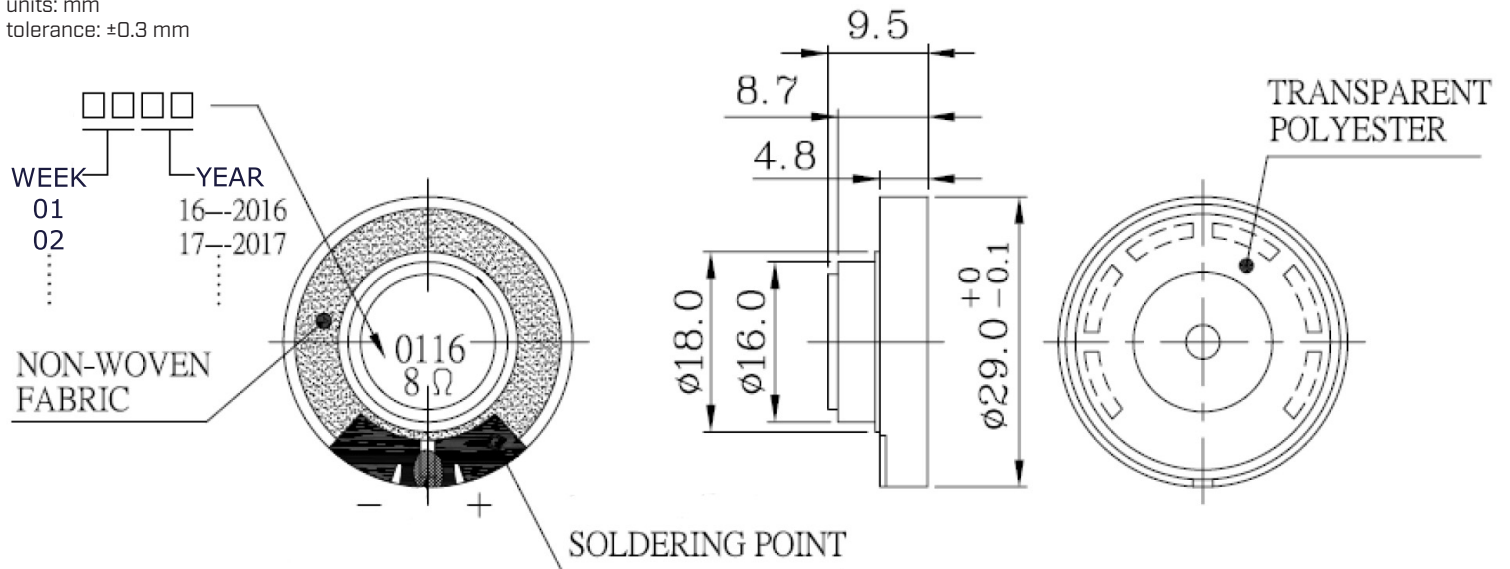
Notes: 1. All specifications measured at 5-35 $^{\circ}\text{C}$, humidity at 45-85%, under 86-106 kPa pressure, unless otherwise noted.

SOLDERABILITY

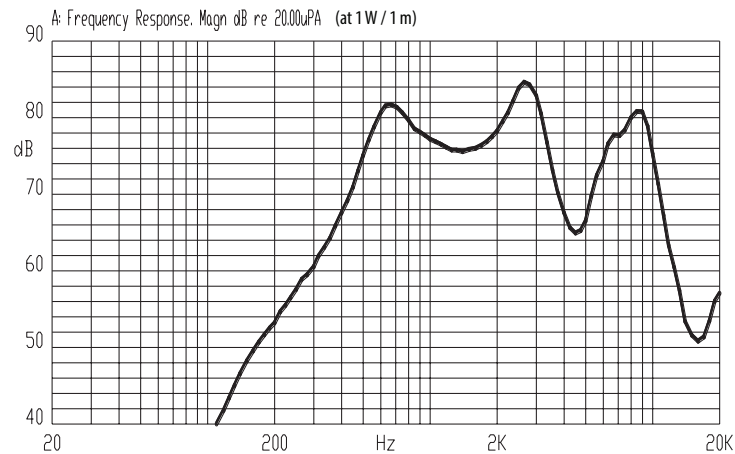
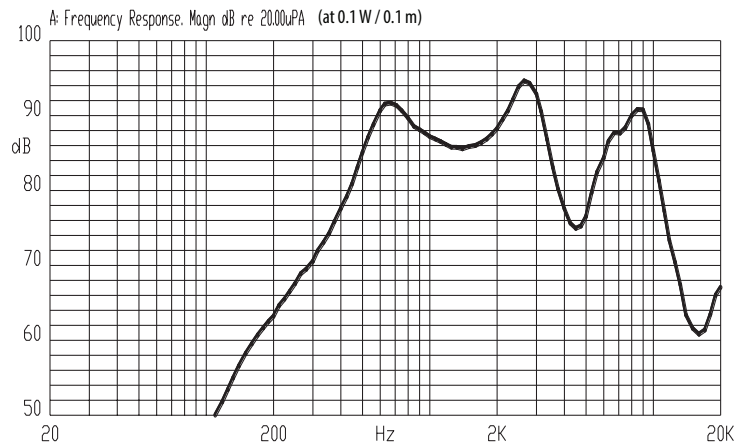
parameter	conditions/description	min	typ	max	units
hand soldering	for 3 ± 1 seconds	360	370	380	$^{\circ}\text{C}$

MECHANICAL DRAWING

units: mm
tolerance: ± 0.3 mm



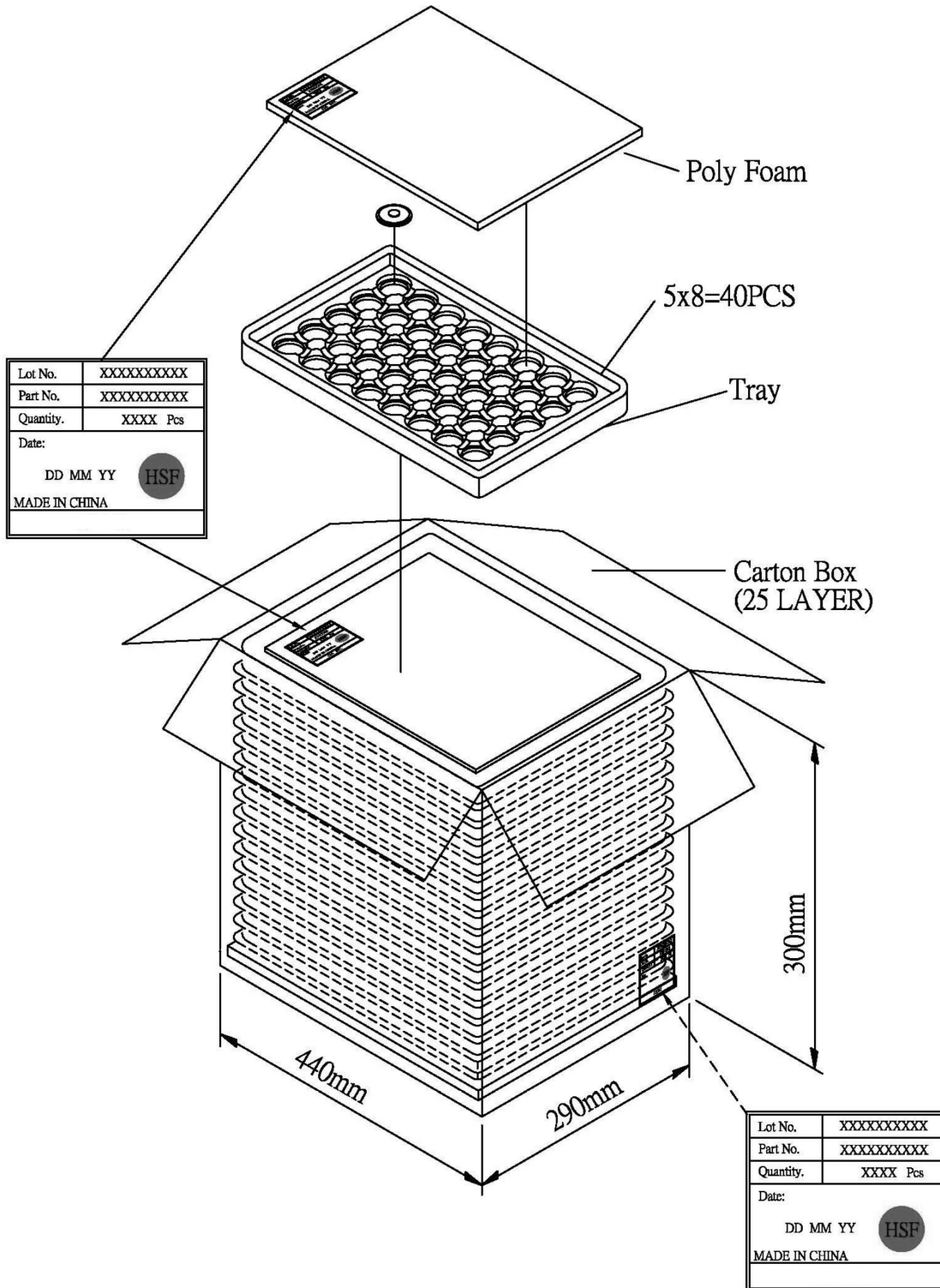
FREQUENCY RESPONSE CURVES



PACKAGING

units: mm

Tray Size: 420 x 270 x 22 mm
 Carton Size: 440 x 290 x 300 mm
 Tray QTY: 40 pcs per tray
 Carton QTY: 1,000 pcs per carton



REVISION HISTORY

rev.	description	date
1.0	initial release	06/24/2016
1.01	brand update	01/20/2020
1.02	logo, datasheet style update	08/05/2022
1.03	CUI Devices rebranded to Same Sky	09/11/2024

The revision history provided is for informational purposes only and is believed to be accurate.



Same Sky offers a one (1) year limited warranty. Complete warranty information is listed on our website.

Same Sky reserves the right to make changes to the product at any time without notice. Information provided by Same Sky is believed to be accurate and reliable. However, no responsibility is assumed by Same Sky for its use, nor for any infringements of patents or other rights of third parties which may result from its use.

Same Sky products are not authorized or warranted for use as critical components in equipment that requires an extremely high level of reliability. A critical component is any component of a life support device or system whose failure to perform can be reasonably expected to cause the failure of the life support device or system, or to affect its safety or effectiveness.

[sameskydevices.com](https://www.sameskydevices.com)