


**MODEL:** CMC-5044TF-A | **DESCRIPTION:** ELECTRET CONDENSER MICROPHONE

**FEATURES**

- omnidirectional
- analog
- solder pads


**ELECTRICAL**

parameter	conditions/description	min	typ	max	units
directivity	omnidirectional				
sensitivity [S]	at 1 kHz [0 dB = 1 V/Pa]	-47	-44	-41	dB
supply voltage [V <sub>DD</sub> ]			2.0	10	V
current consumption	V <sub>DD</sub> = 2.0 V, R <sub>L</sub> = 2.2 k $\Omega$			0.5	mA
sensitivity reduction	V <sub>DD</sub> = 2.0 ~ 1.5 V			-3	dB
frequency [f]		100		20,000	Hz
signal to noise ratio [S/N]	at 1 kHz, P <sub>in</sub> = 1 Pa [A-weighted]		60		dBA
total harmonic distortion [THD]	at 115 dB SPL, 1 kHz			10	%
acoustic overload point [AOP]	at 1 kHz			115	dB SPL
output impedance [Z <sub>out</sub> ]	at 1 kHz			2.2	k $\Omega$

Notes: 1. All specifications measured at 5-35°C, humidity at 45-85%, under 86-106 kPa pressure, unless otherwise noted.

**ENVIRONMENTAL**

parameter	conditions/description	min	typ	max	units
operating temperature		-20		70	°C
storage temperature		-20		70	°C
hand soldering	for 2±0.5 seconds	310	320	330	°C
RoHS	yes				

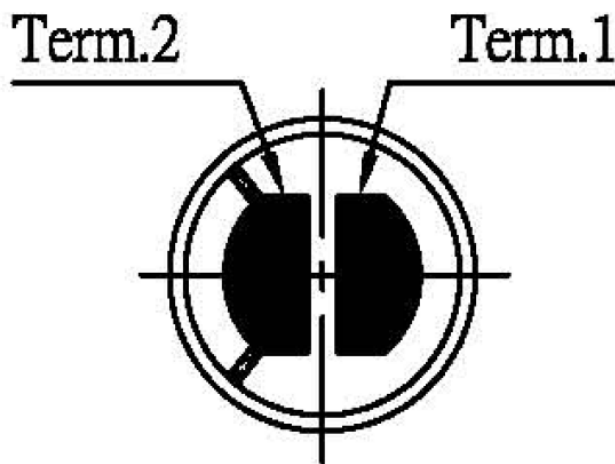
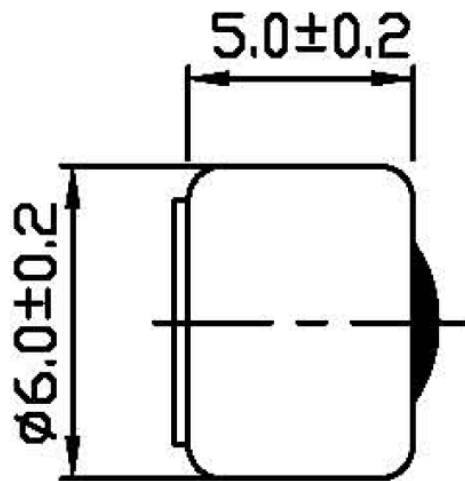
## MECHANICAL

parameter	conditions/description	min	typ	max	units
dimensions	Ø6.0 x 5				mm
acoustic port	top				
material	AL				
terminals	solder pads				
weight			0.30		g

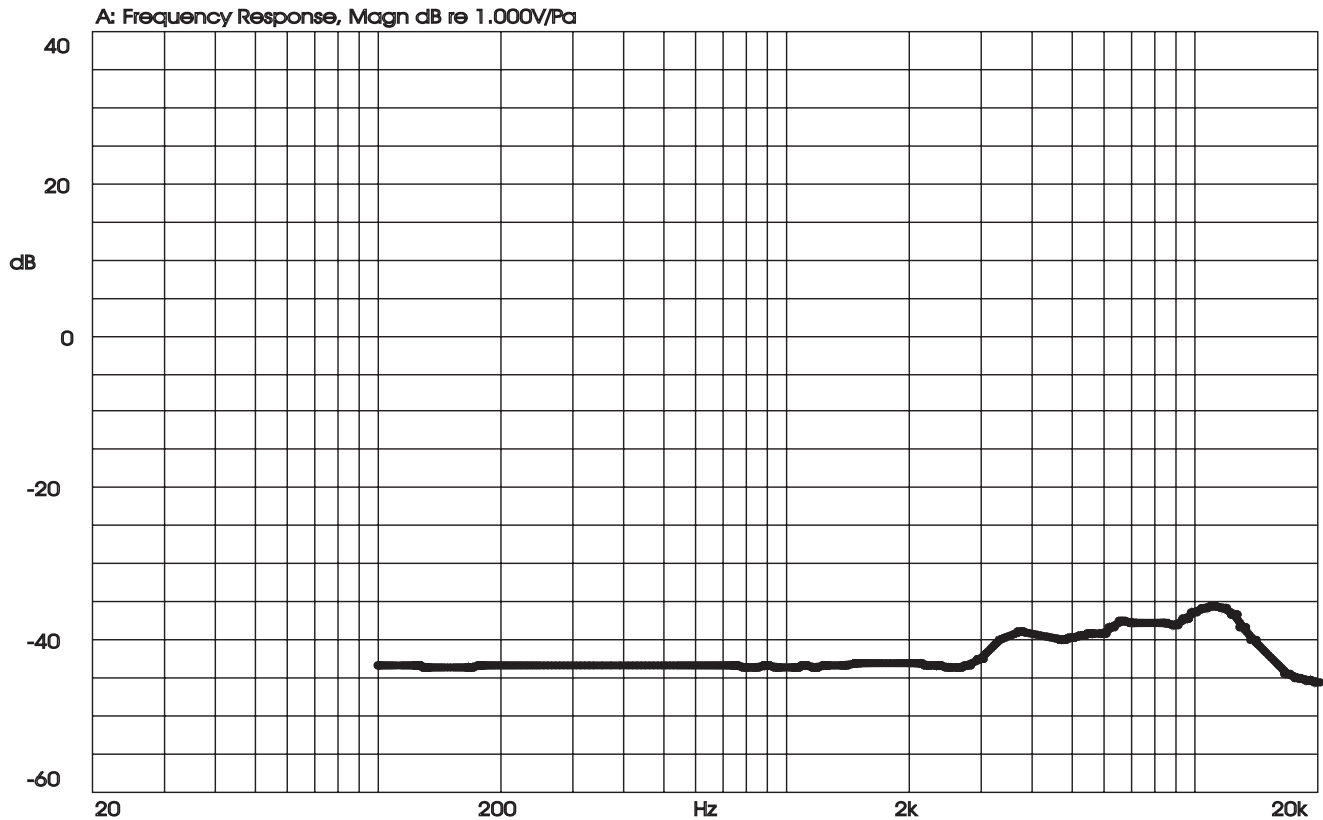
## MECHANICAL DRAWING

units: mm  
tolerance: ±0.2 mm

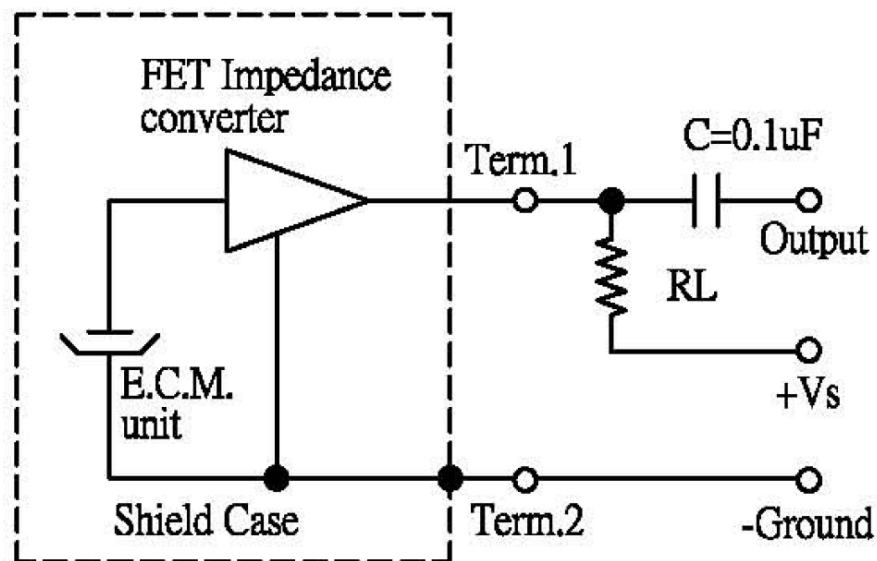
TERMINAL CONNECTIONS	
TERM.	FUNCTION
1	Output (+)
2	GND (-)



## FREQUENCY RESPONSE CURVE

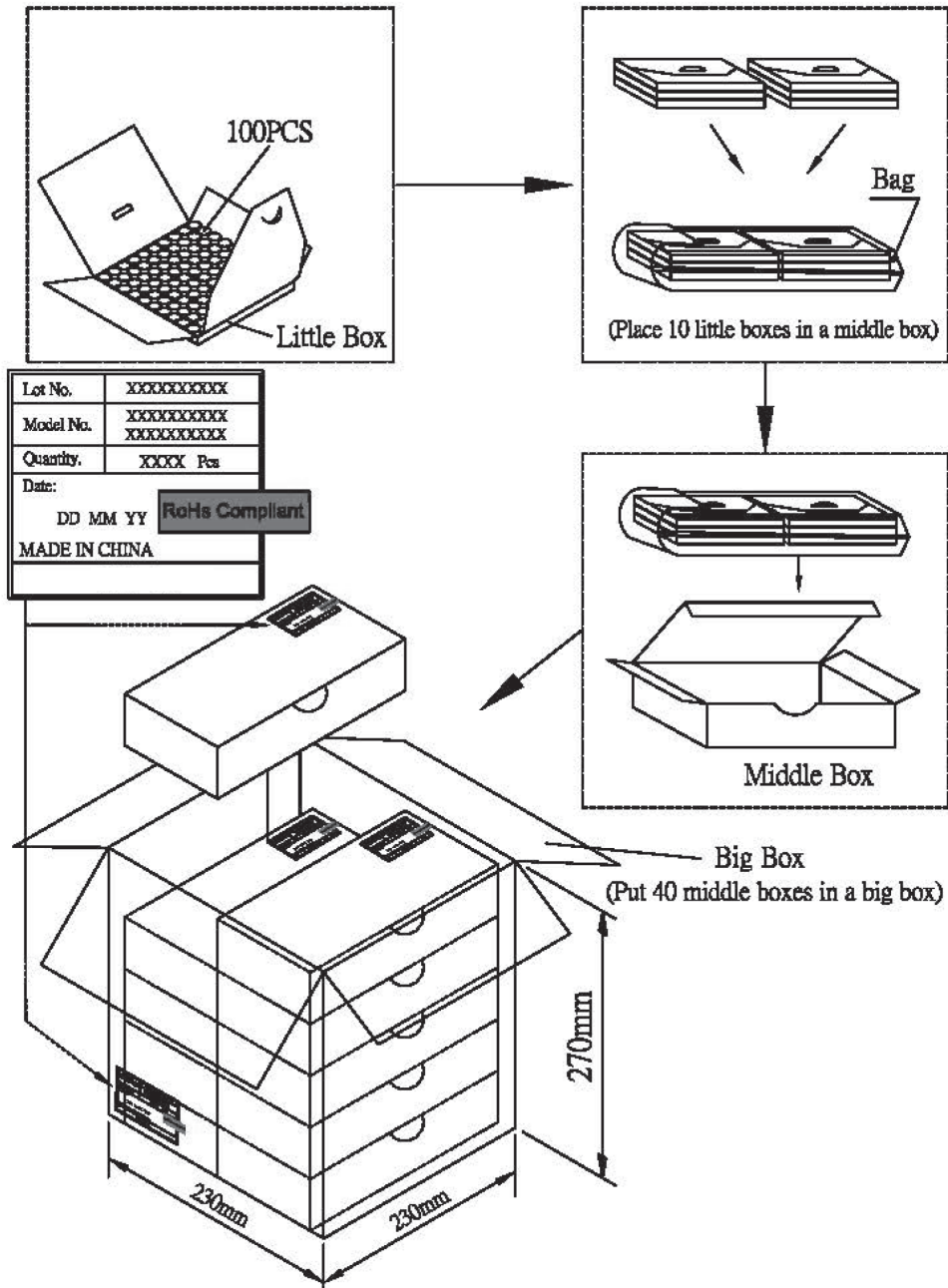


## APPLICATION CIRCUIT



## PACKAGING

Small Box Size: 63 x 63 x 8 mm  
 Medium Box Size: 125 x 65 x 45 mm  
 Carton Size: 230 x 230 x 270 mm  
 Small Box QTY: 100 pcs per box  
 Carton QTY: 40,000 pcs per carton



## REVISION HISTORY

rev.	description	date
1.0	initial release	07/21/2008
1.01	changed color of mesh cloth	06/24/2019
1.02	brand update	01/17/2020
1.03	logo, datasheet style update	08/05/2022
1.04	CUI Devices rebranded to Same Sky	09/11/2024

The revision history provided is for informational purposes only and is believed to be accurate.



Same Sky offers a one (1) year limited warranty. Complete warranty information is listed on our website.

Same Sky reserves the right to make changes to the product at any time without notice. Information provided by Same Sky is believed to be accurate and reliable. However, no responsibility is assumed by Same Sky for its use, nor for any infringements of patents or other rights of third parties which may result from its use.

Same Sky products are not authorized or warranted for use as critical components in equipment that requires an extremely high level of reliability. A critical component is any component of a life support device or system whose failure to perform can be reasonably expected to cause the failure of the life support device or system, or to affect its safety or effectiveness.

[sameskydevices.com](https://www.sameskydevices.com)