

**MODEL:** CLS0381M | **DESCRIPTION:** SPEAKER**FEATURES**

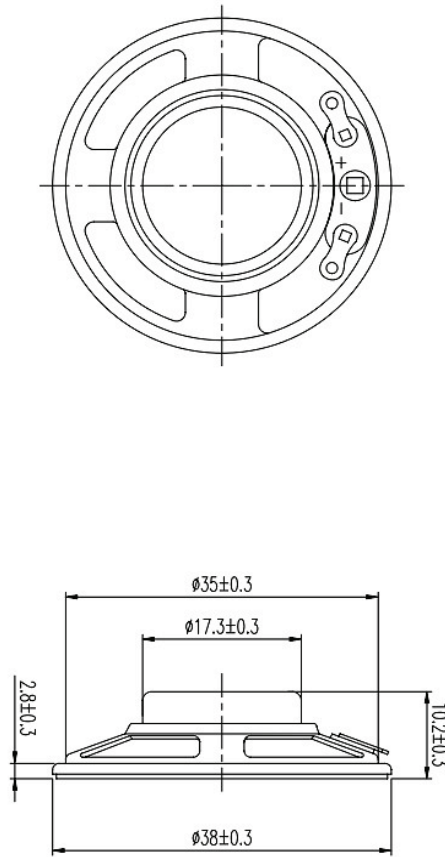
- 38 mm round frame
- 8  $\Omega$  impedance
- rated 0.2 W
- neodymium magnet
- PET cone

**SPECIFICATIONS**

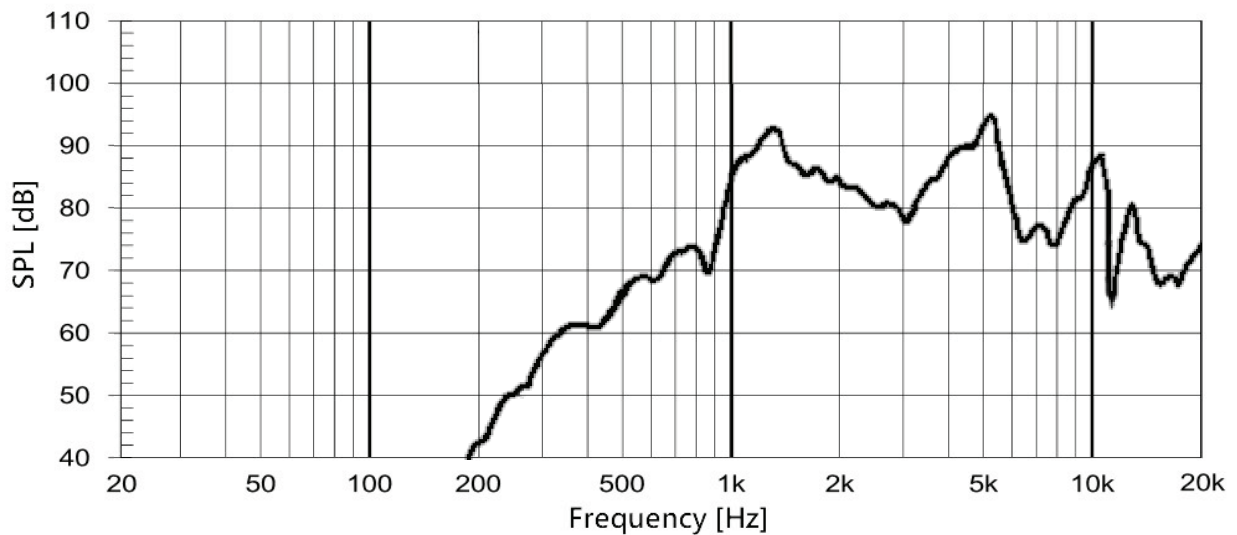
parameter	conditions/description	min	typ	max	units
input power			0.2	0.4	W
impedance	at 800 Hz, 1.0 V	6.8	8	9.2	$\Omega$
resonant frequency (Fo)		880	1,100	1,320	Hz
frequency response		Fo		10,000	Hz
sound pressure level	at 0.2 W, 30 cm, avg at 1.5, 2.0, 2.5, 3.0 kHz	82	85	88	dB
distortion	at 1.0 kHz, 1.0 W			5	%
buzz, rattle, etc.	must be normal at sine wave, frequency range			1.26	V
dimensions	$\varnothing$ 38 x 10.2				mm
magnet	Nd-Fe-B				
cone material	PET				
weight			10.6		g
terminal	solder eyelets				
operating temperature		-25		60	$^{\circ}$ C
RoHS	yes				

## MECHANICAL DRAWING

units: mm



## FREQUENCY RESPONSE CURVES



## REVISION HISTORY

rev.	description	date
1.0	initial release	07/03/2007
1.01	brand update	04/15/2021
1.02	logo, datasheet style update	08/05/2022
1.03	CUI Devices rebranded to Same Sky	09/11/2024

The revision history provided is for informational purposes only and is believed to be accurate.



Same Sky offers a one (1) year limited warranty. Complete warranty information is listed on our website.

Same Sky reserves the right to make changes to the product at any time without notice. Information provided by Same Sky is believed to be accurate and reliable. However, no responsibility is assumed by Same Sky for its use, nor for any infringements of patents or other rights of third parties which may result from its use.

Same Sky products are not authorized or warranted for use as critical components in equipment that requires an extremely high level of reliability. A critical component is any component of a life support device or system whose failure to perform can be reasonably expected to cause the failure of the life support device or system, or to affect its safety or effectiveness.

[sameskydevices.com](https://www.sameskydevices.com)