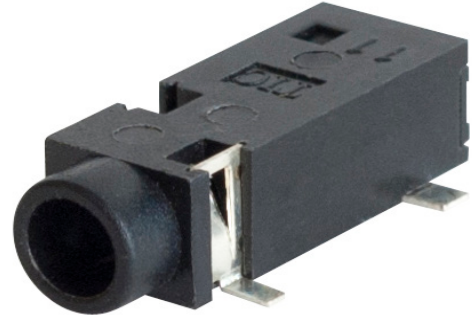




MODEL: MJ-3523-SMT-TR | **DESCRIPTION:** AUDIO JACK

FEATURES

- 3.5 mm
- right angle
- reflow solder compatible
- surface mount

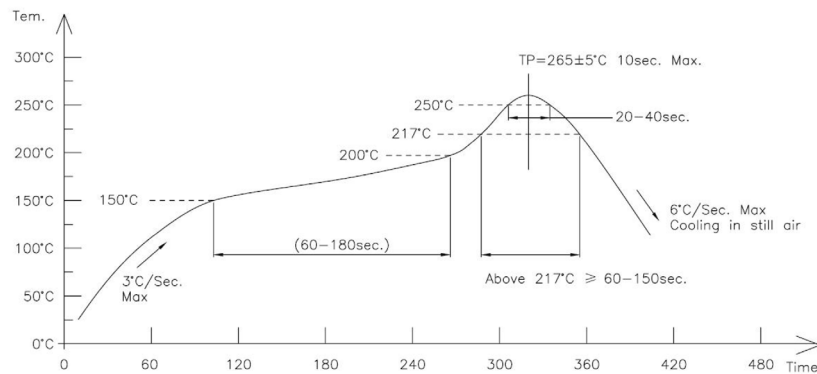


SPECIFICATIONS

| parameter | conditions/description | min | typ | max | units |
|----------------------------|------------------------|-----|-------|-----|--------|
| rated input voltage | | | 12 | | Vdc |
| rated input current | | | | 1 | A |
| contact resistance | | | | 50 | mΩ |
| insulation resistance | at 500 Vdc | 100 | | | MΩ |
| voltage withstand | for 1 minute | | | 500 | Vac |
| insertion/withdrawal force | | 0.3 | | 3 | kg |
| operating temperature | | -25 | | 85 | °C |
| life | | | 5,000 | | cycles |
| flammability rating | UL94V-0 | | | | |
| RoHS | yes | | | | |

SOLDERABILITY

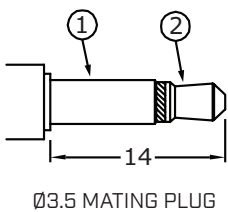
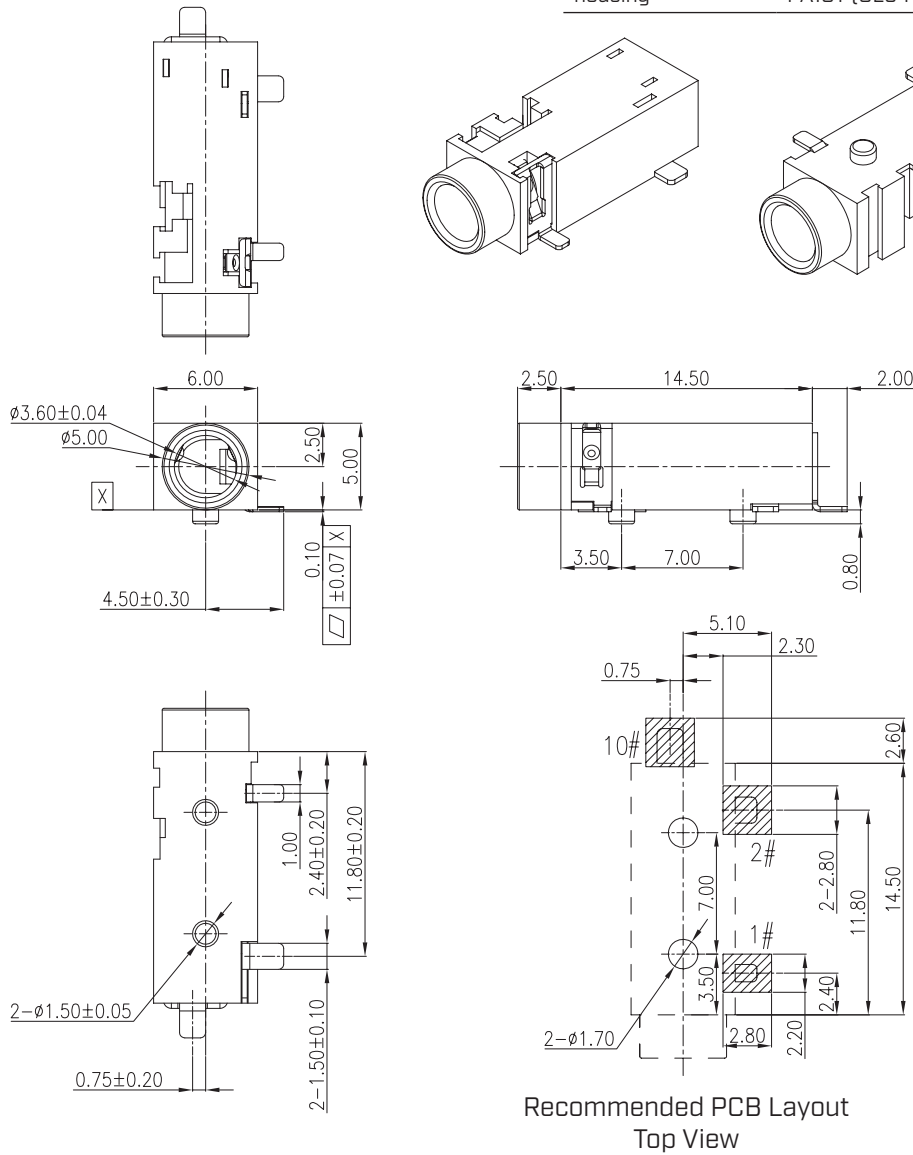
| parameter | conditions/description | min | typ | max | units |
|------------------|------------------------|-----|-----|-----|-------|
| reflow soldering | see reflow profile | 260 | 265 | 270 | °C |



MECHANICAL DRAWING

units: mm
 tolerance:
 X, ± 0.50 mm
 X.X ± 0.30 mm
 X.XX ± 0.20 mm
 PCB: ± 0.05 mm
 unless otherwise specified

| DESCRIPTION | MATERIAL | PLATING/COLOR |
|-------------|-----------------|---------------|
| terminal 1 | copper alloy | silver |
| terminal 2 | copper alloy | silver |
| terminal 10 | brass | silver |
| housing | PA10T [UL94V-0] | black |

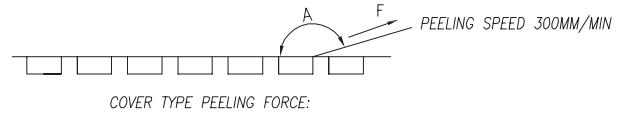
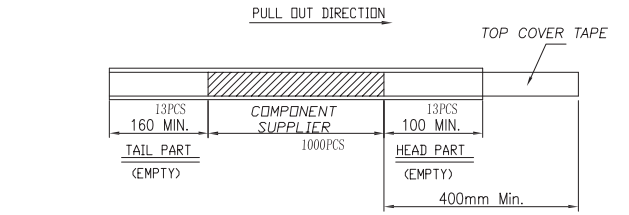
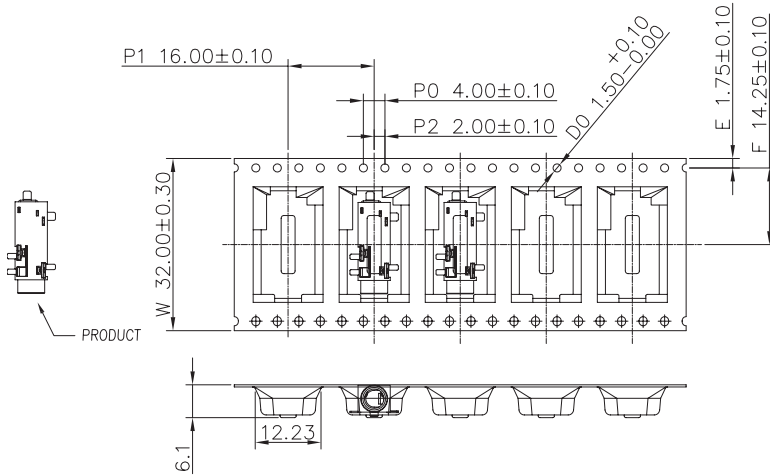


| | |
|-----------|------------|
| Schematic | |
| PIN | |
| 1 | sleeve |
| 2 | tip |
| 10 | tip switch |

PACKAGING

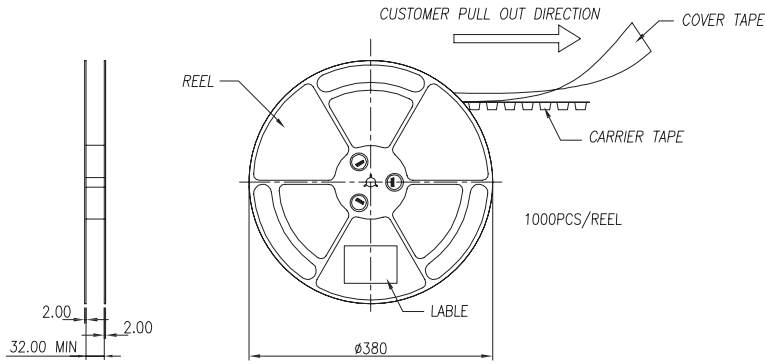
units: mm

Reel Size: $\varnothing 380$ mm
 Reel QTY: 1,000 pcs per reel



COVER TYPE PEELING FORCE:

| | |
|---|-----------|
| A | 165°~180° |
| F | 0.1N~1.3N |



REVISION HISTORY

| rev. | description | date |
|------|---|------------|
| 1.0 | initial release | 12/02/2005 |
| 1.01 | updated plastic mold | 12/18/2007 |
| 1.02 | corrected dimension from 2.15 to 1.40 mm | 08/18/2009 |
| 1.03 | brand update | 03/30/2020 |
| 1.04 | product reengineered for improved manufacturability and production yield, see PCN for details | 03/06/2023 |
| 1.05 | CUI Devices rebranded to Same Sky | 09/12/2024 |

The revision history provided is for informational purposes only and is believed to be accurate.



Same Sky offers a one (1) year limited warranty. Complete warranty information is listed on our website.

Same Sky reserves the right to make changes to the product at any time without notice. Information provided by Same Sky is believed to be accurate and reliable. However, no responsibility is assumed by Same Sky for its use, nor for any infringements of patents or other rights of third parties which may result from its use.

Same Sky products are not authorized or warranted for use as critical components in equipment that requires an extremely high level of reliability. A critical component is any component of a life support device or system whose failure to perform can be reasonably expected to cause the failure of the life support device or system, or to affect its safety or effectiveness.

[sameskydevices.com](https://www.sameskydevices.com)