



## SERIES: AMT10E | DESCRIPTION: MODULAR INCREMENTAL ENCODER

### FEATURES

- patented capacitive ASIC technology
- low power consumption
- CMOS outputs
- 16 DIP switch selectable resolutions
- index pulse
- modular package design
- straight (radial) and right-angle (axial) versions
- 9 mounting hole options for radial version
- 8 mounting hole options for axial version
- -40-100°C operating temperature



### ELECTRICAL

| parameter           | conditions/description       | min     | typ | max | units |
|---------------------|------------------------------|---------|-----|-----|-------|
| power supply        | VDD                          | 3.1     | 5   | 5.5 | V     |
| current consumption | with unloaded output         |         | 6   |     | mA    |
| output high level   |                              | VDD-0.8 |     |     | V     |
| output low level    |                              |         |     | 0.4 | V     |
| output current      | CMOS sink/source per channel |         |     | 2   | mA    |
| rise/fall time      |                              |         | 30  |     | ns    |

### INCREMENTAL CHARACTERISTICS

| parameter                                  | conditions/description  | min | typ  | max | units   |
|--|---|-----|------|-----|---------|
| channels                                   | quadrature A, B, and X index  |     |      |     |         |
| waveform                                   | CMOS voltage square wave  |     |      |     |         |
| phase difference                           | A leads B for CCW rotation (viewed from front)  |     | 90   |     | degrees |
| quadrature resolutions <sup>1</sup>        | 120, 240, 250, 312.5, 480, 500, 625, 640, 960, 1000, 1250, 1280, 2000, 2500, 2560, 5120 |     |      |     | PPR     |
| index <sup>2</sup>                         | one pulse per 360 degree rotation   |     |      |     |         |
| accuracy                                   |   |     | 0.25 |     | degrees |
| quadrature duty cycle (at each resolution) | 640, 1280, 2560, 5120   | 49  | 50   | 51  | %       |
|  | 120, 240, 250, 312.5, 480, 500, 625, 960, 1000, 1250                                    | 47  | 50   | 53  | %       |
|  | 2000, 2500  | 43  | 50   | 56  | %       |

Notes: 1. Resolution selected via adjustable DIP switch, pre-set to 5120 PPR. All resolutions are listed as pre-quadrature, meaning the final number of counts is PPR x 4.  
2. Some stepper motors may leak a magnetic field causing the AMT index pulse to not function properly (non-magnetic version available with 20 pulses per revolution).

## MECHANICAL

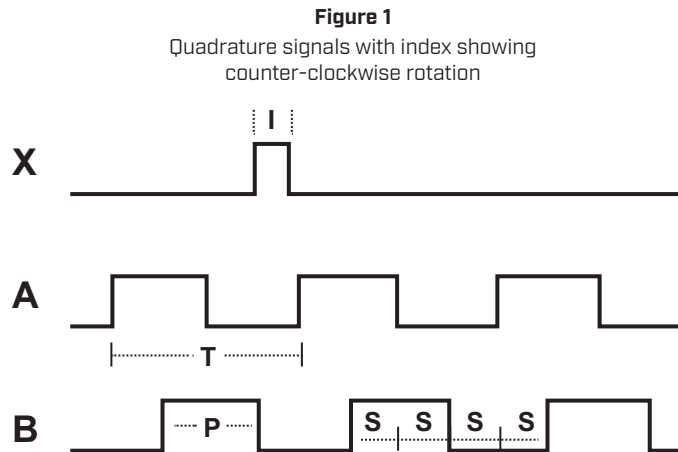
| parameter                             | conditions/description  | min | typ           | max          | units      |
|---------------------------------------|---|-----|---------------|--------------|------------|
| motor shaft length                    |   | 9   |               |              | mm         |
| motor shaft tolerance                 |   |     | NOM +0/-0.015 |              | mm         |
| weight                                | AMT10E2<br>AMT10E3  |     | 20.5<br>14.0  |              | g<br>g     |
| axial play                            |   |     |               | ±0.3         | mm         |
| rotational speed (at each resolution) | 480, 960, 1000, 1250, 2000, 2500, 2560, 5120<br>120, 240, 250, 312.5, 500, 625, 640, 1280 |     |               | 3000<br>6000 | RPM<br>RPM |

## ENVIRONMENTAL

| parameter                          | conditions/description        | min | typ | max | units |
|------------------------------------|-------------------------------|-----|-----|-----|-------|
| operating temperature <sup>1</sup> |                               | -40 |     | 100 | °C    |
| humidity                           | non-condensing                |     |     | 95  | %     |
| vibration                          | 20~500 Hz, 1 hour on each XYZ |     |     | 10  | G     |
| shock                              | 11 ms, ±XYZ direction         |     |     | 50  | G     |
| RoHS                               | yes                           |     |     |     |       |

Note: 1. Encoders with operating temperature of -40~125°C are available as a custom order

## WAVEFORMS



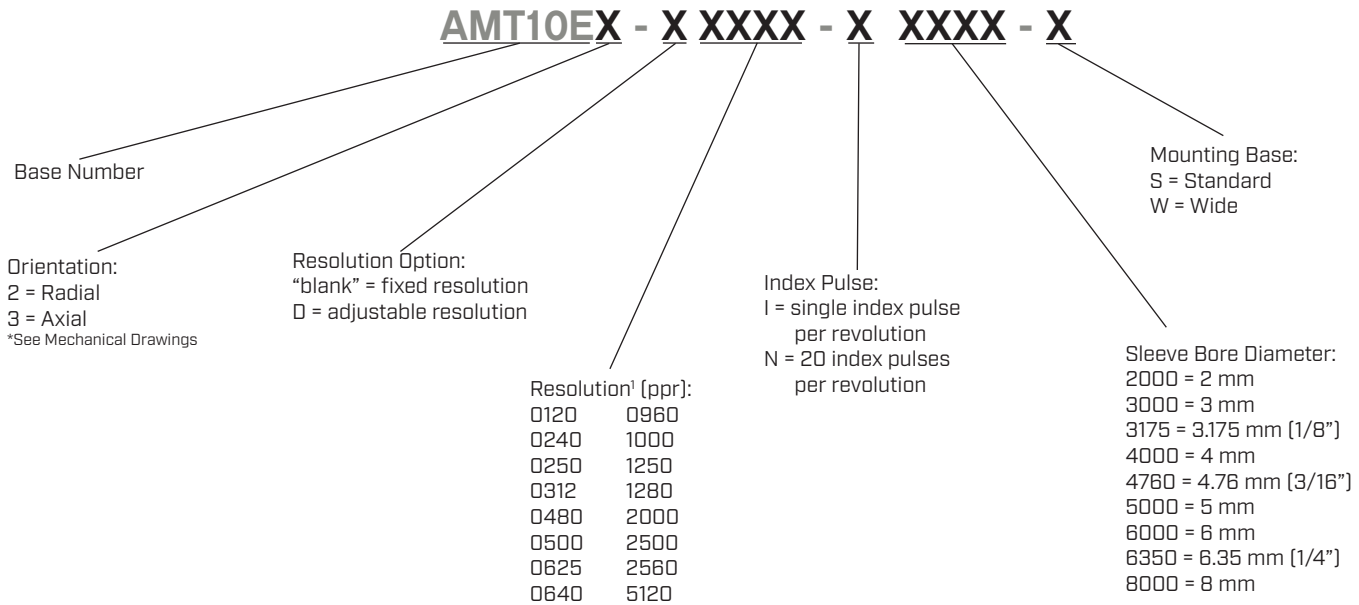
The following parameters are defined by the resolution selected for each encoder. The encoders resolution is listed as Pulses Per Revolution (PPR), which is the number of periods (or high pulses) over the encoders revolution.

| Parameter | Description     | Expression | Units                 | Notes  |
|-----------|-----------------|------------|-----------------------|--|
| PPR       | resolution      |            | Pulses Per Revolution | This is the user selected value and the format all resolutions are listed in |
| CPR       | counts          | PPR x 4    | Counts Per Revolution | This is the number of quadrature counts the encoder has                      |
| T         | period          | 360/R      | mechanical degrees    |  |
| P         | pulse width     | T/2        | mechanical degrees    |  |
| S         | A/B state width | T/4        | mechanical degrees    | This is the width of a quadrature state                                      |
| I         | index width     | T/4        | mechanical degrees    | The width of a once per turn index is the state width for A & B lines        |

Note: For more information regarding PPR, CPR, or LPR (Lines Per Revolution) view <https://www.sameskydevices.com/blog/what-is-encoder-ppr-cpr-and-lpr>

## PART NUMBER KEY

For customers that prefer a specific AMT10E configuration, please reference the custom configuration key below.



Note: 1. Fixed resolutions are permanently set at this value; adjustable resolutions are preset via DIP switch to this value upon shipment.

## AMT10E-V KITS

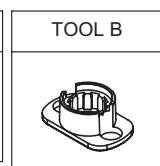
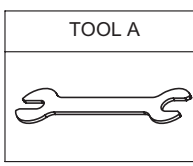
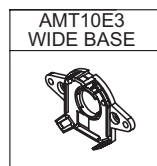
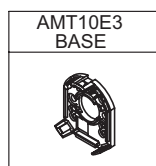
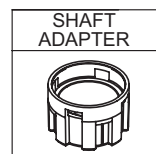
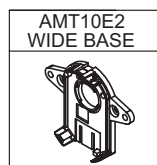
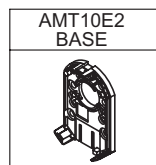
In order to provide maximum flexibility for our customers, the AMT10E series is provided in kit form standard. This allows the user to implement the encoder into a range of applications using one sku#, reducing engineering and inventory costs.

### ORDERING GUIDE

#### AMT10EX-V

Orientation:  
2 = Radial  
3 = Axial  
\*See Mechanical Drawings

| SLEEVES        |        |                    |      |                    |       |     |                   |      |
|----------------|--------|--------------------|------|--------------------|-------|-----|-------------------|------|
|                |        |                    |      |                    |       |     |                   |      |
| 2mm            | 3mm    | 1/8 inch (3.175mm) | 4mm  | 3/16 inch (4.76mm) | 5mm   | 6mm | 1/4 inch (6.35mm) | 8mm  |
| Light Sky Blue | Orange | Purple             | Gray | Yellow             | Green | Red | Snow              | Blue |



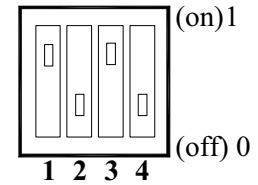
## RESOLUTION SETTINGS

1 = On, 0 = Off

| Resolution (PPR) | Maximum RPM | 1 | 2 | 3 | 4 |
|------------------|-------------|---|---|---|---|
| 5120             | 3000        | 0 | 0 | 0 | 0 |
| 2560             | 3000        | 0 | 0 | 1 | 0 |
| 2500             | 3000        | 1 | 0 | 0 | 0 |
| 2000             | 3000        | 0 | 1 | 0 | 0 |
| 1280             | 6000        | 0 | 0 | 0 | 1 |
| 1250             | 3000        | 1 | 0 | 1 | 0 |
| 1000             | 3000        | 0 | 1 | 1 | 0 |
| 960              | 3000        | 1 | 1 | 0 | 0 |
| 640              | 6000        | 0 | 0 | 1 | 1 |
| 625              | 6000        | 1 | 0 | 0 | 1 |
| 500              | 6000        | 0 | 1 | 0 | 1 |
| 480              | 3000        | 1 | 1 | 1 | 0 |
| 312.5            | 6000        | 1 | 0 | 1 | 1 |
| 250              | 6000        | 0 | 1 | 1 | 1 |
| 240              | 6000        | 1 | 1 | 0 | 1 |
| 120              | 6000        | 1 | 1 | 1 | 1 |

### DIP switch:

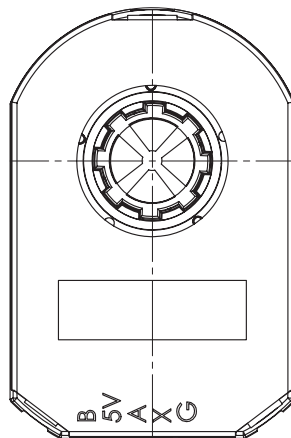
Example setting: 1250 PPR



## ENCODER INTERFACE

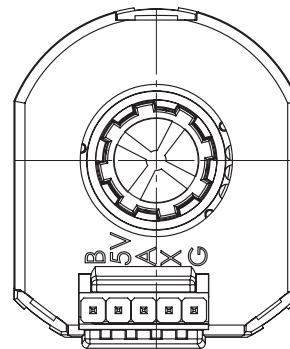
| CONNECTOR PINOUT |               |               |
|------------------|---------------|---------------|
| Function         |               |               |
| #                | AMT10E2       | AMT10E3       |
| B                | B CHANNEL     | B CHANNEL     |
| 5V               | +5 V          | +5 V          |
| A                | A CHANNEL     | A CHANNEL     |
| X                | INDEX CHANNEL | INDEX CHANNEL |
| G                | GND           | GND           |

AMT10E2



Mating Connector:  
Molex 50-57-9405 Housing  
Molex 16-02-0086 Terminals

AMT10E3



Mating Connector:  
AMP 3-640440-5 (tin)  
AMP 3-641237-5 (gold)

## MECHANICAL DRAWINGS

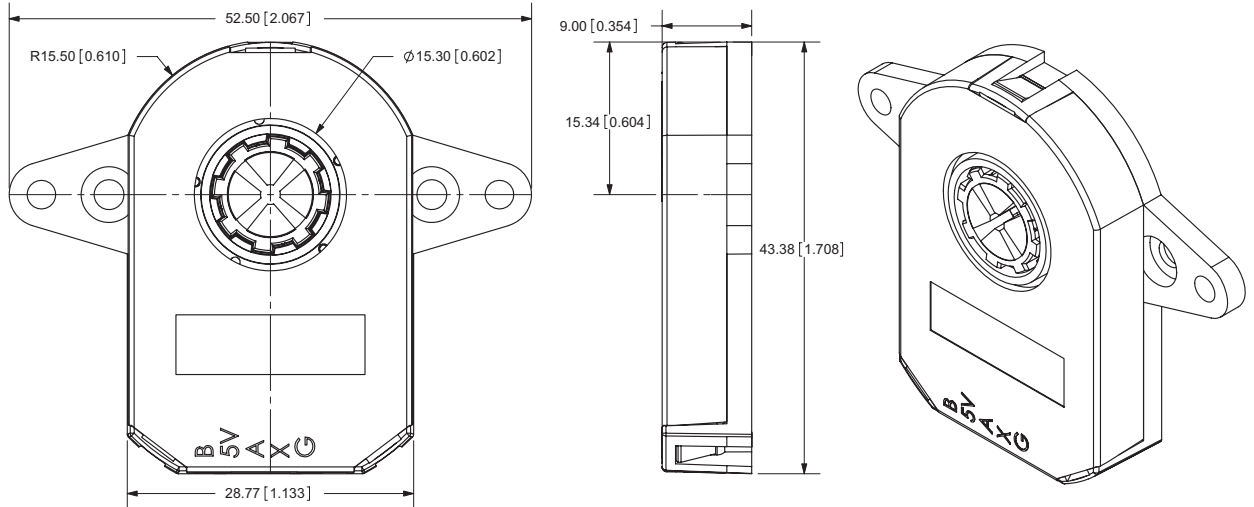
### AMT10E2 STANDARD BASE

units: mm[inch]  
tolerance: ±0.1mm



### AMT10E2 WIDE BASE

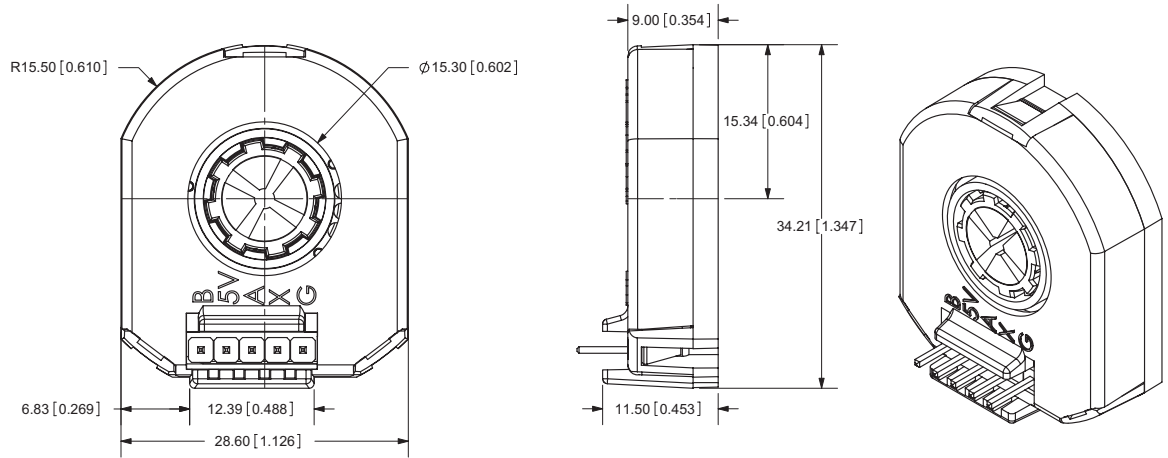
units: mm[inch]  
tolerance: ±0.1mm



## MECHANICAL DRAWINGS (CONTINUED)

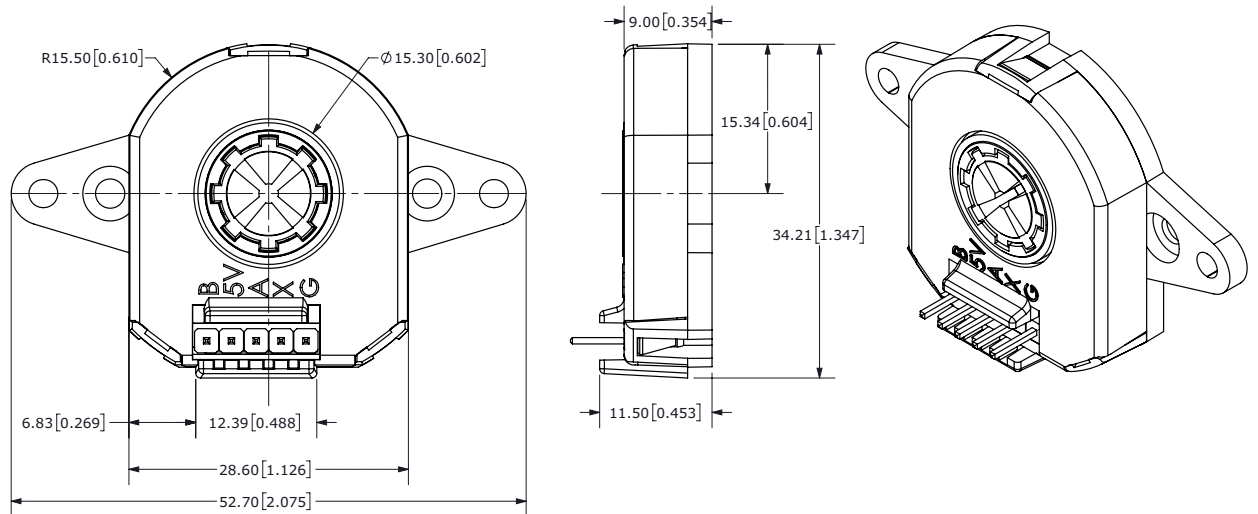
### AMT10E3 STANDARD BASE

units: mm[inch]  
tolerance: ±0.1mm



### AMT10E3 WIDE BASE

units: mm[inch]  
tolerance: ±0.1mm

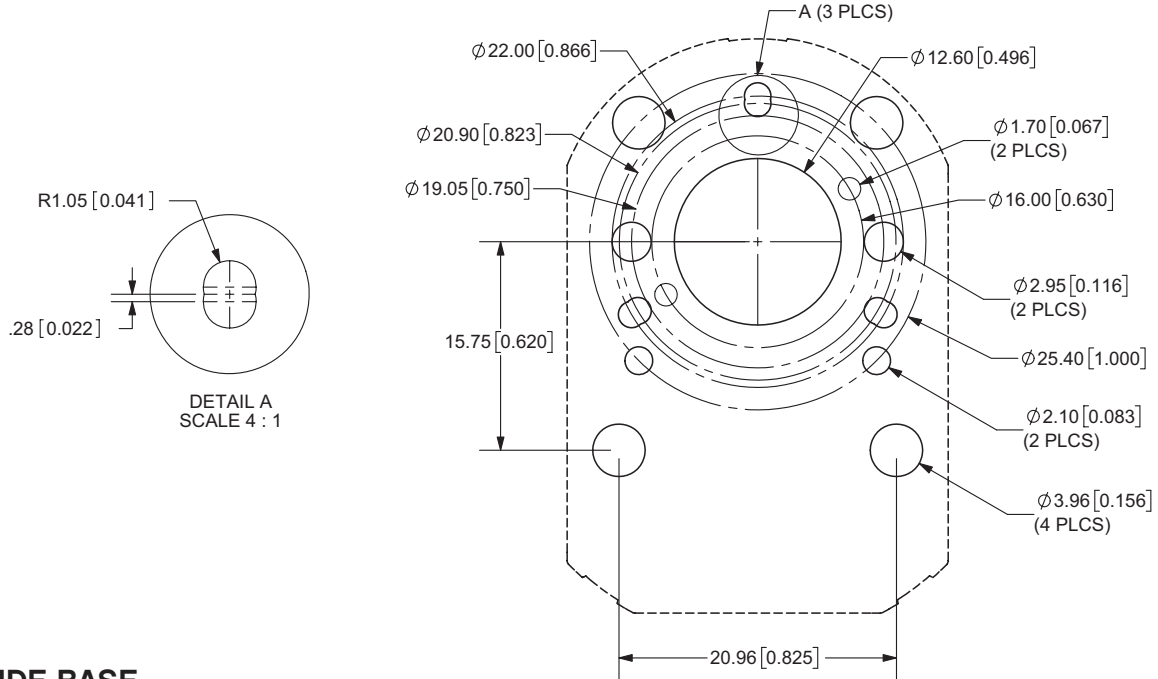


## MECHANICAL DRAWINGS (CONTINUED)

### MOUNTING HOLE PATTERNS

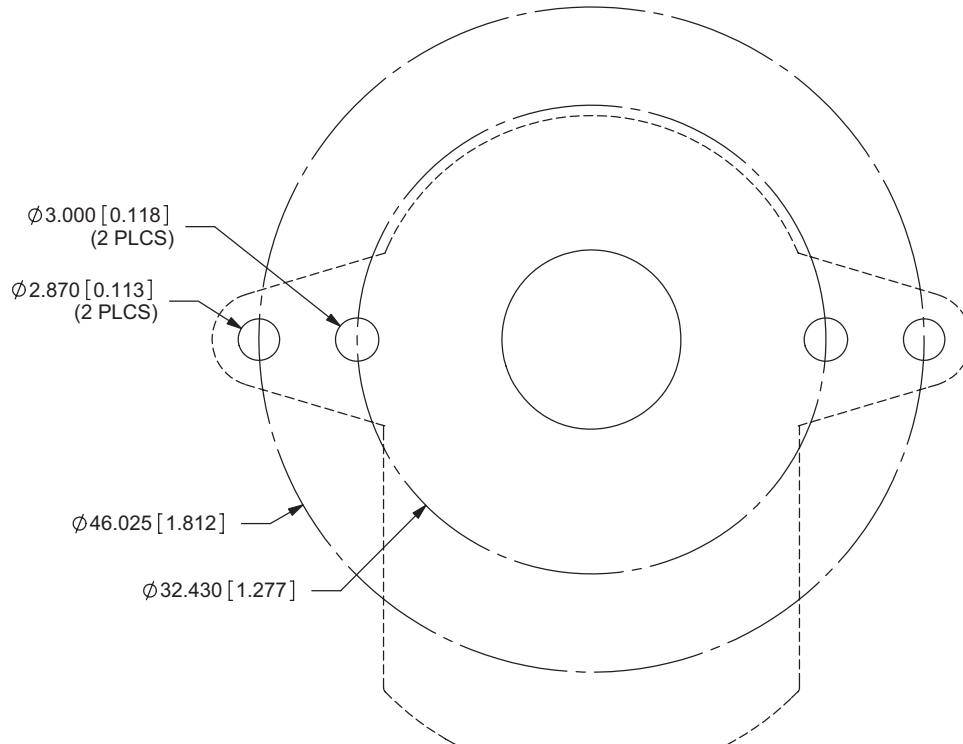
#### AMT 10E2 STANDARD BASE

units: mm[inch]  
tolerance: ±0.1



#### AMT10E2 WIDE BASE

units: mm[inch]  
tolerance: ±0.1

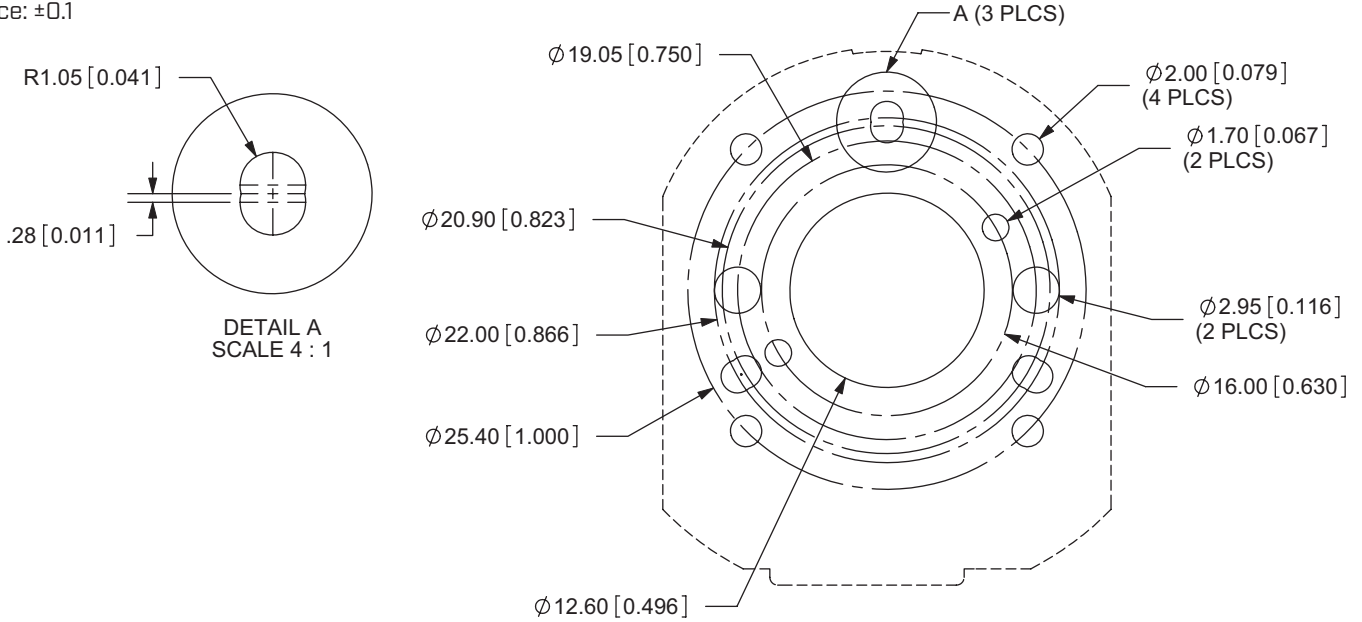


## MECHANICAL DRAWINGS (CONTINUED)

### MOUNTING HOLE PATTERNS

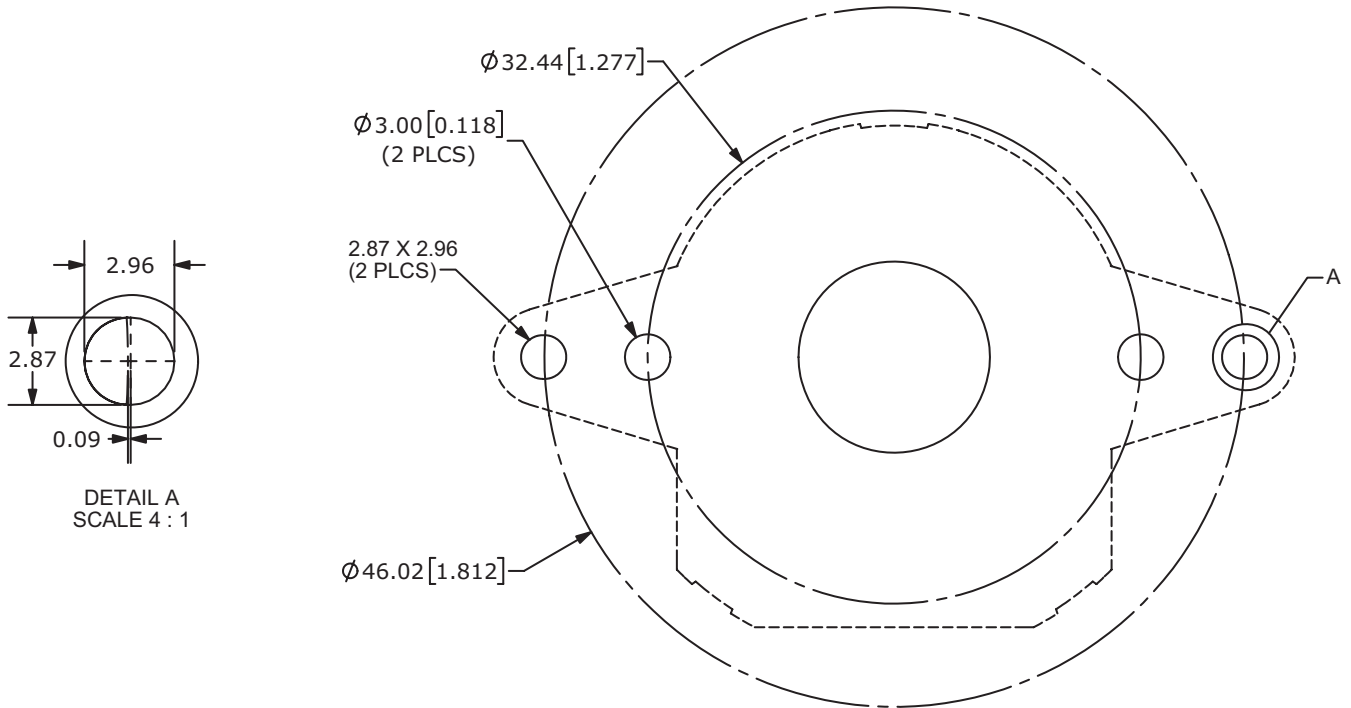
#### AMT 10E3 STANDARD BASE

units: mm[inch]  
tolerance: ±0.1



#### AMT10E3 WIDE BASE

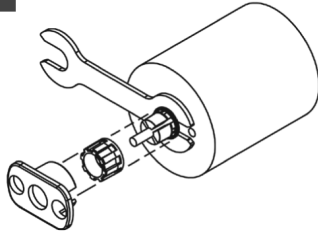
units: mm[inch]  
tolerance: ±0.1





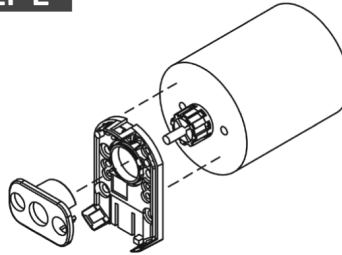
## ASSEMBLY PROCEDURE

### STEP 1



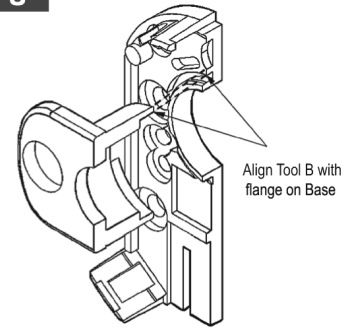
1. Insert Tool A as a spacer that defines the distance to the mounting surface.
2. Slide appropriate sized Sleeve over shaft all the way down to Tool A.
3. Slide Shaft Adaptor over Sleeve.
4. Use Tool B to press Shaft Adaptor over Sleeve until flush with Tool A.

### STEP 2



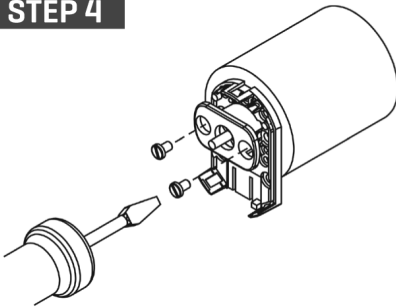
1. Remove Tools A and B.
2. Place Base on motor, with Tool B used as a centering tool.

### STEP 3



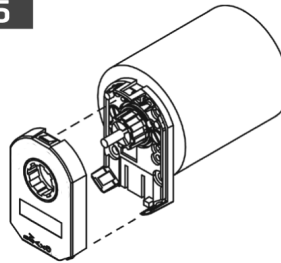
1. Align Tool B with flange on Base.
2. Slide Base and Tool B onto motor, centering onto the Shaft Adapter.

### STEP 4



1. Fasten the Base on the motor.
2. Remove Tool B.

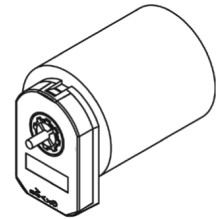
### STEP 5



1. Slide the Top Cover onto the Base, carefully observing that the teeth of the Shaft Adaptor align with the grooves in the hub.\*

\* We recommend no more than three cycles of mounting and removal of the AMT top cover base. Multiple cycles of mounting and removing the top cover can cause base fatigue over time and affect encoder performance.

### STEP 6



1. Make sure the snaps are fully engaged and the Top Cover is flush with the Base.
2. When assembly is finished, the Shaft Adaptor should be about flush with the front of the Encoder and the Motor Shaft should rotate freely.

## REVISION HISTORY

| rev. | description                         | date       |
|------|-------------------------------------|------------|
| 1.0  | initial release                     | 10/22/2020 |
| 1.01 | added motor shaft tolerance details | 08/04/2021 |
| 1.02 | logo, datasheet style update        | 08/05/2022 |
| 1.03 | CUI Devices rebranded to Same Sky   | 09/12/2024 |

The revision history provided is for informational purposes only and is believed to be accurate.



Same Sky offers a one (1) year limited warranty. Complete warranty information is listed on our website.

Same Sky reserves the right to make changes to the product at any time without notice. Information provided by Same Sky is believed to be accurate and reliable. However, no responsibility is assumed by Same Sky for its use, nor for any infringements of patents or other rights of third parties which may result from its use.

Same Sky products are not authorized or warranted for use as critical components in equipment that requires an extremely high level of reliability. A critical component is any component of a life support device or system whose failure to perform can be reasonably expected to cause the failure of the life support device or system, or to affect its safety or effectiveness.

[sameskydevices.com](https://www.sameskydevices.com)