



SERIES: CFM-80BG68 | **DESCRIPTION:** DC AXIAL FAN

FEATURES

- IP68 rated
- dual ball bearing system
- 80 x 80 mm frame
- multiple speed options
- PWM/tachometer wires available

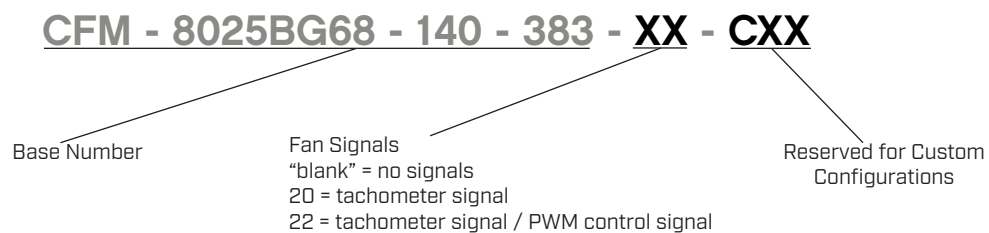


MODEL

| | input voltage | | input current ¹ | | input power ¹ | | rated speed ¹ | airflow ² | static pressure ³ | noise ⁴ |
|----------------------|---------------|-------------|----------------------------|---------|--------------------------|---------|--------------------------|----------------------|------------------------------|--------------------|
| | rated [Vdc] | range [Vdc] | typ [A] | max [A] | typ [W] | max [W] | typ (RPM±10%) | [CFM] | [inch H ₂ O] | typ [dBA] |
| CFM-8025BG68-140-383 | 12 | 10.8~13.2 | 0.17 | 0.26 | 2.04 | 3.12 | 4,000 | 42.32 | 0.29 | 38.3 |
| CFM-8025BG68-150-438 | 12 | 10.8~13.2 | 0.30 | 0.45 | 3.60 | 5.40 | 5,000 | 53.07 | 0.45 | 43.8 |
| CFM-8025BG68-160-487 | 12 | 10.8~13.2 | 0.46 | 0.56 | 5.52 | 6.72 | 6,000 | 63.64 | 0.63 | 48.7 |
| CFM-8025BG68-170-524 | 12 | 10.8~13.2 | 0.72 | 0.86 | 8.64 | 10.32 | 7,000 | 73.56 | 0.83 | 52.4 |
| CFM-8025BG68-240-383 | 24 | 21.6~26.4 | 0.12 | 0.18 | 2.88 | 4.32 | 4,000 | 42.32 | 0.29 | 38.3 |
| CFM-8025BG68-250-438 | 24 | 21.6~26.4 | 0.16 | 0.24 | 3.84 | 5.76 | 5,000 | 53.07 | 0.45 | 43.8 |
| CFM-8025BG68-260-487 | 24 | 21.6~26.4 | 0.23 | 0.32 | 5.52 | 7.68 | 6,000 | 63.64 | 0.63 | 48.7 |
| CFM-8025BG68-270-524 | 24 | 21.6~26.4 | 0.36 | 0.45 | 8.64 | 10.80 | 7,000 | 73.56 | 0.83 | 52.4 |

- Notes:
1. At rated voltage, after 3 minutes.
 2. At rated voltage, room temperature, 65% humidity, 0 inch H₂O static pressure.
 3. At rated voltage, 0 CFM airflow.
 4. Measured in an anechoic chamber as per ISO3745/GB4214-84 at rated voltage, with background noise 20±2 dBA at 1 m from the fan intake.
 5. All specifications are measured at 25°C, 65% relative humidity unless otherwise specified.

PART NUMBER KEY



INPUT

| parameter | conditions/description | min | typ | max | units |
|--------------------------------------|------------------------|------|-----|------|-------|
| operating input voltage ⁶ | 12 Vdc input models | 10.8 | 12 | 13.2 | Vdc |
| | 24 Vdc input models | 21.6 | 24 | 26.4 | Vdc |
| starting voltage | 12 Vdc input models | | 7 | | Vdc |
| | 24 Vdc input models | | 14 | | Vdc |

Note: 6. See Model section on page 1 for specific input voltage ranges.

PERFORMANCE⁷

| parameter | conditions/description | min | typ | max | units |
|-----------------|--|-------|-----|-------|-----------------------|
| rated speed | at rated voltage, 25°C, after 3 minutes | 4,000 | | 7,000 | RPM |
| air flow | at 0 inch H ₂ O, see performance curves | 42.32 | | 73.56 | CFM |
| static pressure | at 0 CFM, see performance curves | 0.29 | | 0.83 | inch H ₂ O |
| noise | at 1 m, rated speed | 38.3 | | 52.4 | dBA |

Note: 7. See Model section on page 1 for specific values.

PROTECTIONS / FEATURES⁸

| parameter | conditions/description | min | typ | max | units |
|---------------------|-----------------------------------|-----|-----|-----|-------|
| auto restart | on all models | | | | |
| polarity protection | on all models | | | | |
| soft start | on all models | | | | |
| tachometer signal | available on "20" and "22" models | | | | |
| PWM control signal | available on "22" models | | | | |

Notes: 8. See Application Notes for details.

SAFETY & COMPLIANCE

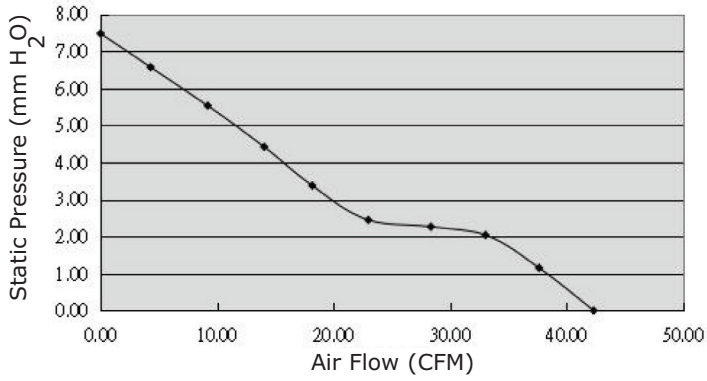
| parameter | conditions/description | min | typ | max | units |
|-----------------------|---|-----|--------|-----|-------|
| insulation resistance | at 500 Vdc between frame and positive terminal | 10 | | | MΩ |
| dielectric strength | at 500 Vac, 60 Hz, 1 minute between housing and positive terminal | | | 5 | mA |
| safety approvals | UL/cUL 507, TUV (EN/IEC 62368-1:2020+A11) | | | | |
| EMI/EMC | EN 55032:2015, EN 55035:2017 | | | | |
| life expectancy | at 40°C, 65% RH, 90% confidence level | | 70,000 | | hours |
| RoHS | yes | | | | |
| IP level | IP68 (motor sealed coating by waterproof glue) | | | | |

ENVIRONMENTAL

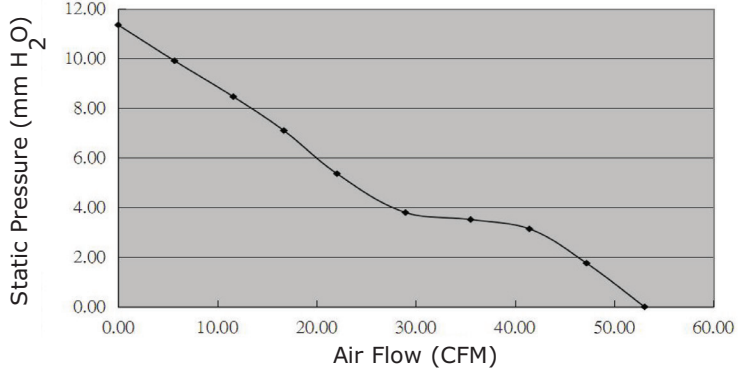
| parameter | conditions/description | min | typ | max | units |
|-----------------------|------------------------|-----|-----|-----|-------|
| operating temperature | | -10 | | 70 | °C |
| storage temperature | | -40 | | 75 | °C |
| operating humidity | non-condensing | 35 | | 85 | % |
| storage humidity | non-condensing | 35 | | 85 | % |

PERFORMANCE CURVES

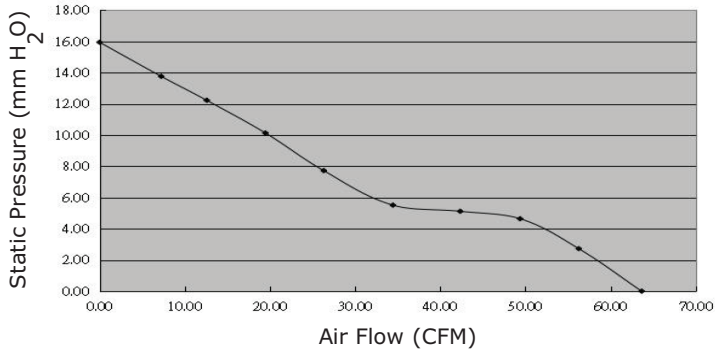
CFM-8025BG68-140-383



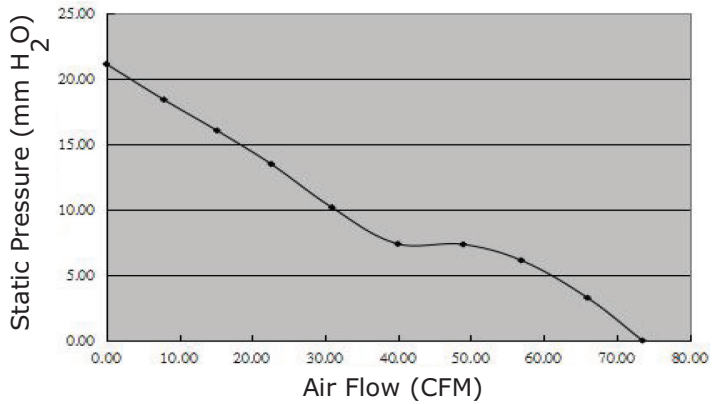
CFM-8025BG68-150-438



CFM-8025BG68-160-487

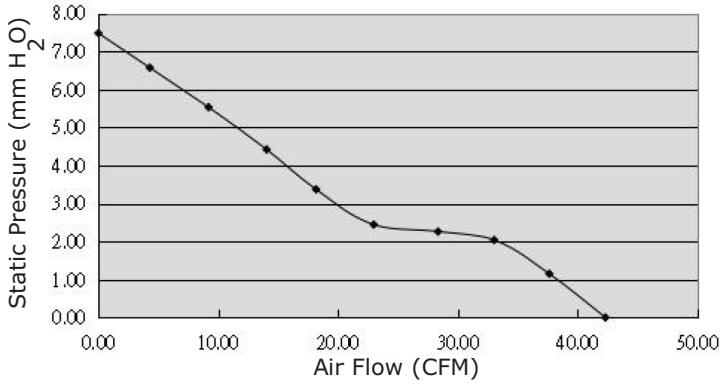


CFM-8025BG68-170-524

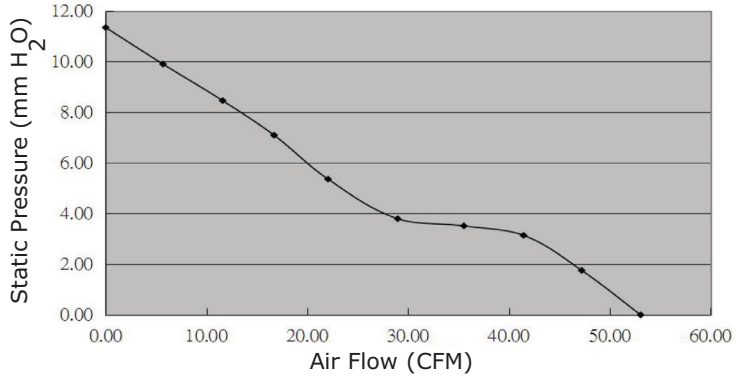


PERFORMANCE CURVES (CONTINUED)

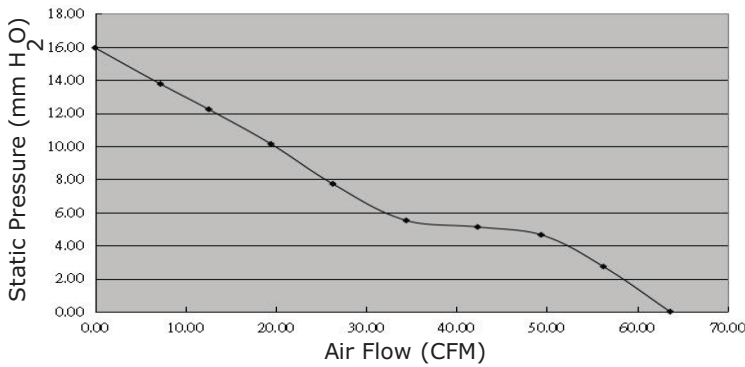
CFM-8025BG68-240-383



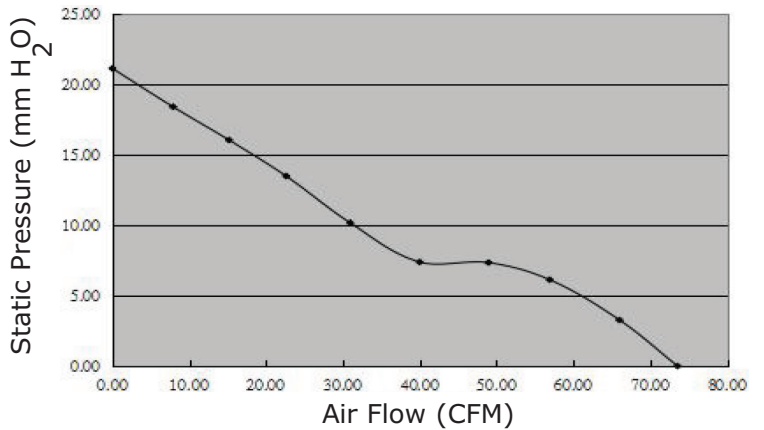
CFM-8025BG68-250-438



CFM-8025BG68-260-487



CFM-8025BG68-270-524



MECHANICAL

| parameter | conditions/description | min | typ | max | units |
|-----------------------|--|-----|-----|-----|-------|
| motor | 4 pole DC brushless | | | | |
| bearing system | dual ball bearing | | | | |
| direction of rotation | counter-clockwise viewed from front of fan blade | | | | |
| dimensions | 80 x 80 x 25.4 | | | | mm |
| material | PBT [UL94V-0] | | | | |
| weight | | | 120 | | g |

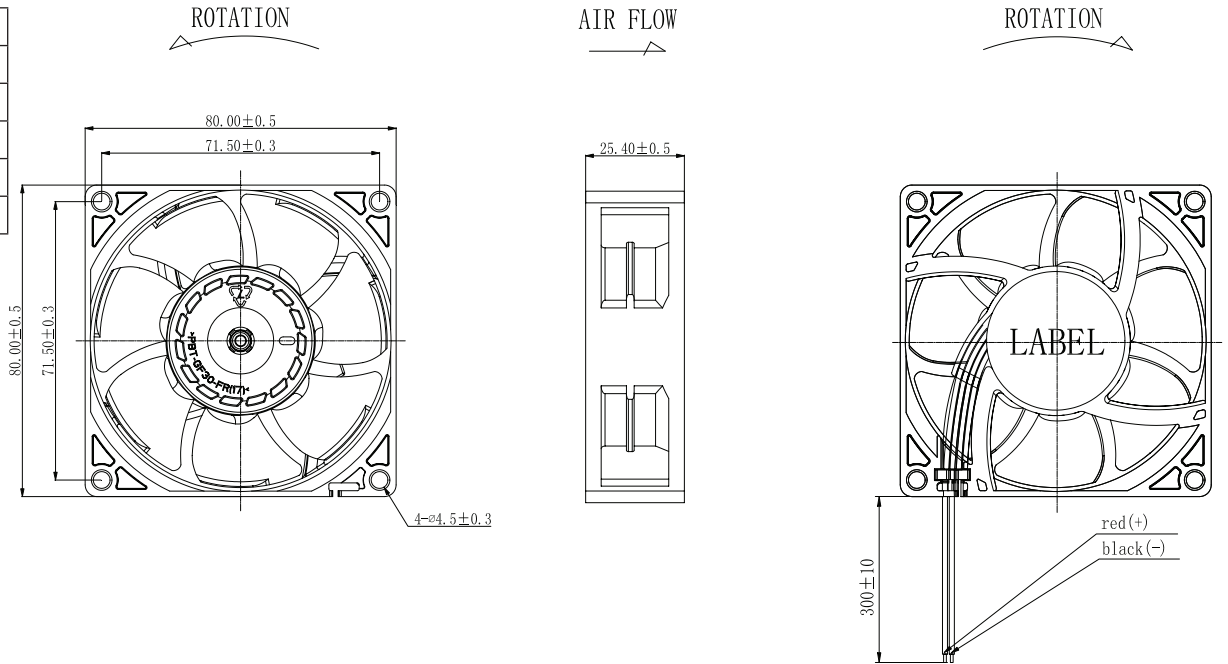
MECHANICAL DRAWING

units: mm

2 wire versions (+Vin & -Vin): UL 1430, 24 AWG
 3 wire versions (+Vin, -Vin, & tach): UL 1430, 24 AWG
 4 wire versions (+Vin, -Vin, tach, & PWM): UL 1430, 26 AWG

| MOUNTING SCREW (Pan Head) | | | |
|---------------------------|------|------------------|------------|
| Screw Type | Size | Standard | Torque |
| Machine Screw | M4 | JIS B1111-1974 | 7.5 kgf-cm |
| Self-tapping Screw | M5 | JIS B1122 Type 2 | 7.5 kgf-cm |

| WIRE CONNECTIONS | |
|---------------------|-------------|
| Wire Color | Function |
| Red | +Vin |
| Black | -Vin |
| Yellow ⁹ | Tach Signal |
| Blue ⁹ | PWM |



Notes: ⁹ Wires only present on versions with output signals.

APPLICATION NOTES

Auto Restart Protection

When the fan motor is locked by an external force, the device will temporarily turn off electrical power to the motor and restart automatically when the locked rotor condition is released.

Polarity Protection

Able to withstand 10 minutes of reverse polarity connection between the positive and negative wires without causing damage.

Tachometer Signal (Yellow Wire)

The tachometer signal is for detecting the rotational speed of the fan motor. The output will be a square wave when fan is operating and V_{FG} or V_{CE} depending on the locked rotor position when fan motor is locked (See Figures 1~2 below).

Figure 1: Tachometer Output Circuit

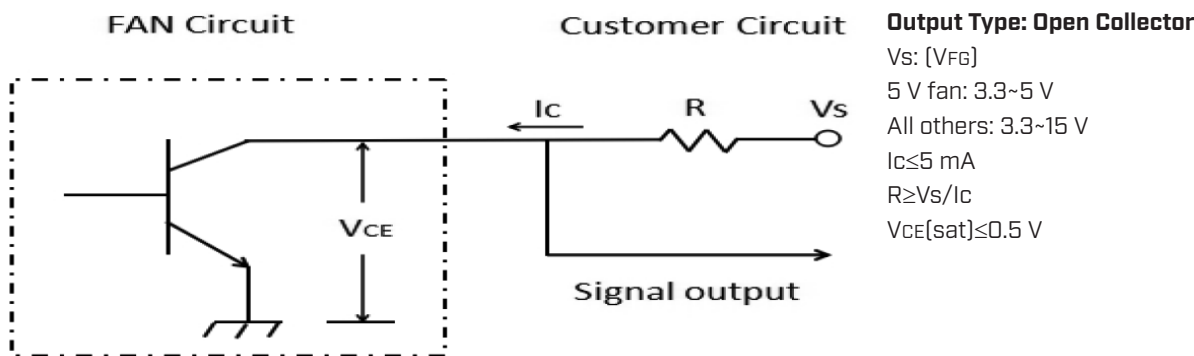
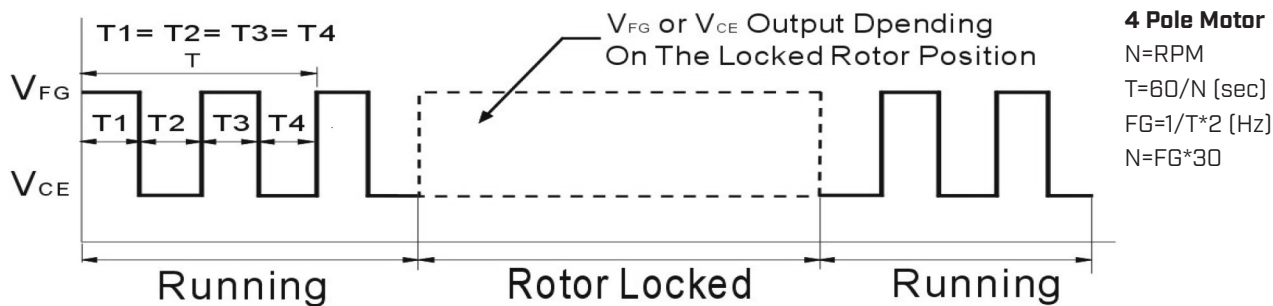


Figure 2: Tachometer Output Waveform

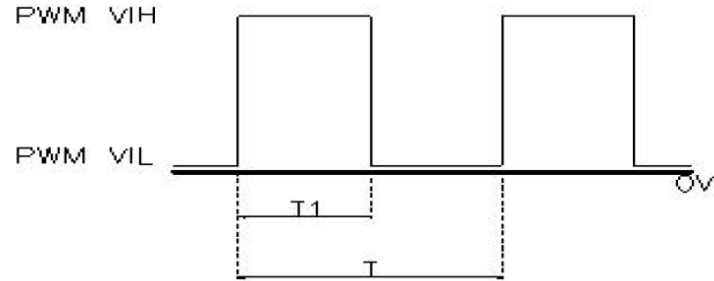


APPLICATION NOTES (CONTINUED)

PWM Signal (Blue Wire)

This wire is for speed control of the fan motor using a PWM input signal from the customer circuit (See Figure 3 below).

Figure 3: PWM Input Signal



$$\text{PWM Duty Cycle (\%)} = T1/T \times 100\%$$

| Model | PWM Frequency Range (kHz) | PWM VIH (V) | PWM VIL (V) |
|-------------------------|---------------------------|-------------|-------------|
| CFM-8025BG68-140-383-22 | 10~60 | 2.5~6 | 0~0.4 |
| CFM-8025BG68-150-438-22 | 10~60 | 2.5~6 | 0~0.4 |
| CFM-8025BG68-160-487-22 | 10~60 | 2.5~6 | 0~0.4 |
| CFM-8025BG68-170-524-22 | 10~60 | 2.5~6 | 0~0.4 |
| CFM-8025BG68-240-383-22 | 0.5~50 | 2.5~5 | -0.3~0.7 |
| CFM-8025BG68-250-438-22 | 0.5~50 | 2.5~5 | -0.3~0.7 |
| CFM-8025BG68-260-487-22 | 0.5~50 | 2.5~5 | -0.3~0.7 |
| CFM-8025BG68-270-524-22 | 0.5~50 | 2.5~5 | -0.3~0.7 |

Soft Start

When the fan power is on, the current will increase slowly (~15 seconds) until the fan reaches the rated speed.

REVISION HISTORY

| rev. | description | date |
|------|-----------------------------------|------------|
| 1.0 | initial release | 10/26/2023 |
| 1.01 | updated PWM details | 03/15/2024 |
| 1.02 | CUI Devices rebranded to Same Sky | 09/12/2024 |

The revision history provided is for informational purposes only and is believed to be accurate.



Same Sky offers a one (1) year limited warranty. Complete warranty information is listed on our website.

Same Sky reserves the right to make changes to the product at any time without notice. Information provided by Same Sky is believed to be accurate and reliable. However, no responsibility is assumed by Same Sky for its use, nor for any infringements of patents or other rights of third parties which may result from its use.

Same Sky products are not authorized or warranted for use as critical components in equipment that requires an extremely high level of reliability. A critical component is any component of a life support device or system whose failure to perform can be reasonably expected to cause the failure of the life support device or system, or to affect its safety or effectiveness.

[sameskydevices.com](https://www.sameskydevices.com)