



SERIES: CFM-70B | **DESCRIPTION:** DC AXIAL FAN

FEATURES

- dual ball bearing
- 70 x 70 mm frame
- multiple speed options
- PWM/tachometer wires available
- auto restart

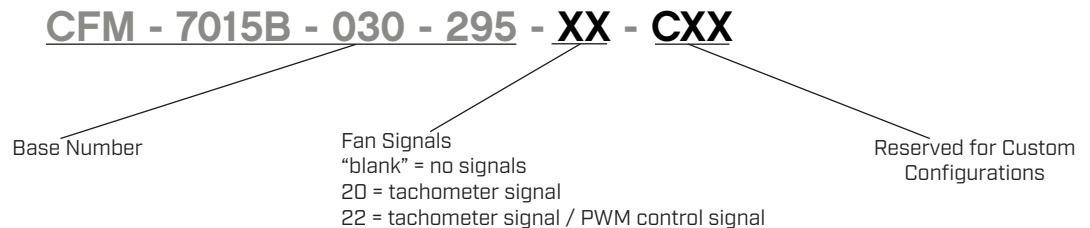


MODEL

	input voltage		input current ¹		input power ¹		rated speed ¹	airflow ²	static pressure ³	noise ⁴
	rated [Vdc]	range [Vdc]	typ [A]	max [A]	typ [W]	max [W]	typ (RPM±10%)	[CFM]	[inch H ₂ O]	typ [dBA]
CFM-7015B-030-295	5	4.5~5.5	0.17	0.26	0.85	1.30	3,000 ⁵	19.26	0.08	29.5
CFM-7015B-040-357	5	4.5~5.5	0.40	0.48	2.00	2.40	4,000 ⁵	25.68	0.14	35.7
CFM-7015B-130-295	12	10.8~13.2	0.07	0.11	0.84	1.32	3,000 ⁵	19.26	0.08	29.5
CFM-7015B-140-357	12	10.8~13.2	0.17	0.26	2.04	3.12	4,000 ⁵	25.68	0.14	35.7
CFM-7015B-150-406	12	10.8~13.2	0.22	0.33	2.64	3.96	5,000 ⁵	32.11	0.22	40.6
CFM-7015B-230-295	24	21.6~26.4	0.04	0.06	0.96	1.44	3,000 ⁶	19.26	0.08	29.5
CFM-7015B-240-357	24	21.6~26.4	0.08	0.12	1.92	2.88	4,000 ⁵	25.68	0.14	35.7
CFM-7015B-250-406	24	21.6~26.4	0.11	0.17	2.64	4.08	5,000 ⁵	32.10	0.22	40.6
CFM-7025B-130-332	12	10.8~13.2	0.08	0.12	0.96	1.44	3,000	25.87	0.12	30.8
CFM-7025B-140-394	12	10.8~13.2	0.18	0.27	2.16	3.24	4,000	34.50	0.22	37.1
CFM-7025B-150-443	12	10.8~13.2	0.33	0.50	3.96	6.00	5,000	42.94	0.34	41.9
CFM-7025B-230-332	24	21.6~26.4	0.04	0.06	0.96	1.44	3,000	25.87	0.12	30.8
CFM-7025B-240-394	24	21.6~26.4	0.09	0.14	2.16	3.36	4,000	34.50	0.22	37.1
CFM-7025B-250-443	24	21.6~26.4	0.15	0.23	3.60	5.52	5,000	42.94	0.34	41.9

- Notes:
1. At rated voltage, after 3 minutes.
 2. At rated voltage, room temperature, 65% humidity, 0 inch H₂O static pressure.
 3. At rated voltage, 0 CFM airflow.
 4. Measured in an anechoic chamber as per ISO3745/GB4214-84 at rated voltage, with background noise 20±2 dBA at 1 m from the fan intake.
 5. Typical rated speed is measured as RPM±600 at rated voltage.
 6. Typical rated speed is measured as RPM±350 at rated voltage.
 7. All specifications are measured at 25°C, 65% relative humidity unless otherwise specified.

PART NUMBER KEY



INPUT

parameter	conditions/description	min	typ	max	units
operating input voltage	5 Vdc input models	4.5	5	5.5	Vdc
	12 Vdc input models	10.8	12	13.2	Vdc
	24 Vdc input models	21.6	24	26.4	Vdc
starting voltage	5 Vdc input models		3.5		Vdc
	12 Vdc input models		7.0		Vdc
	24 Vdc input models		14.0		Vdc

PERFORMANCE⁸

parameter	conditions/description	min	typ	max	units
rated speed	at rated voltage, 25°C, after 3 minutes	3,000		5,000	RPM
air flow	at 0 inch H ₂ O, see performance curves	19.26		42.94	CFM
static pressure	at 0 CFM, see performance curves	0.08		0.34	inch H ₂ O
noise	at 1 m, rated speed	29.5		41.9	dBA

Note: 8. See Model section on page 1 for specific values.

PROTECTIONS / FEATURES⁹

parameter	conditions/description	min	typ	max	units
auto restart	on all models				
polarity protection	on all models				
tachometer signal	available on "20" and "22" models				
PWM control signal	available on "22" models				

Notes: 9. See Application Notes for details.

SAFETY & COMPLIANCE

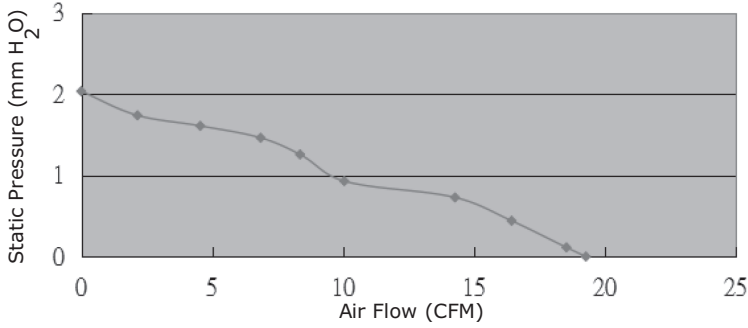
parameter	conditions/description	min	typ	max	units
insulation resistance	at 500 Vdc between frame and positive terminal	10			MΩ
dielectric strength	at 500 Vac, 60 Hz, 1 minute between housing and positive terminal			5	mA
safety approvals	UL/cUL 507, TUV (EN/IEC 62368-1:2020+A11)				
EMI/EMC	EN 55032:2015, EN 55035:2017				
life expectancy	at 40°C, 65% RH, 90% confidence level		70,000		hours
RoHS	yes				

ENVIRONMENTAL

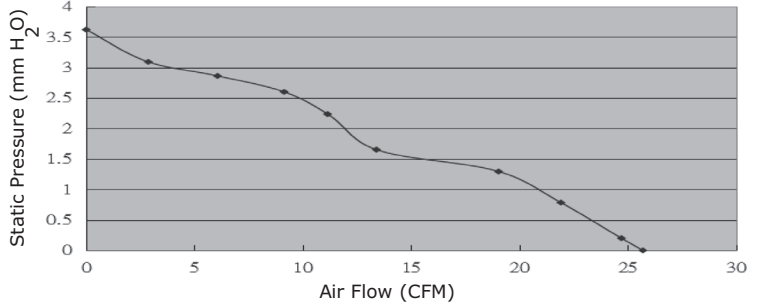
parameter	conditions/description	min	typ	max	units
operating temperature		-10		70	°C
storage temperature		-40		75	°C
operating humidity	non-condensing	35		85	%
storage humidity	non-condensing	35		85	%

PERFORMANCE CURVES

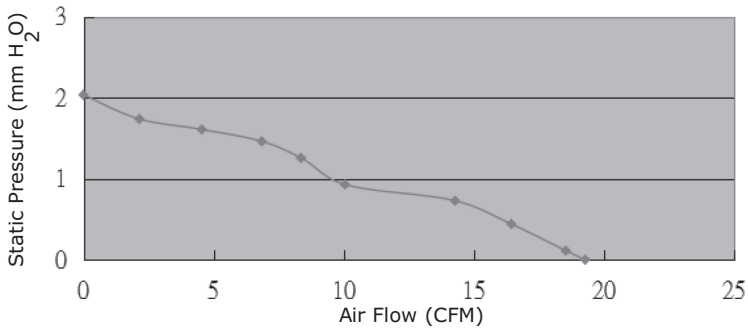
CFM-7015B-030-295



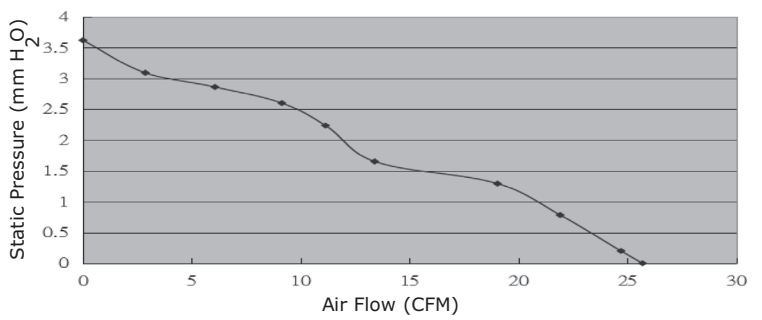
CFM-7015B-040-357



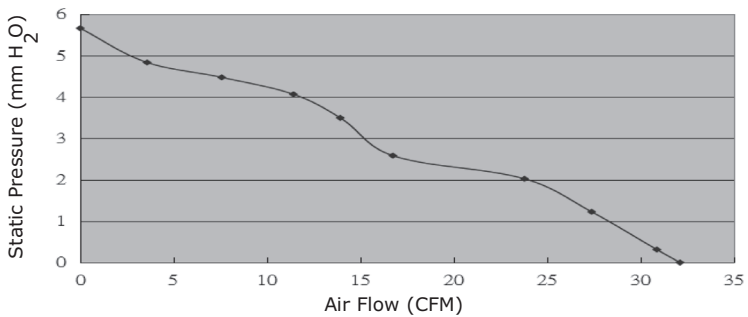
CFM-7015B-130-295



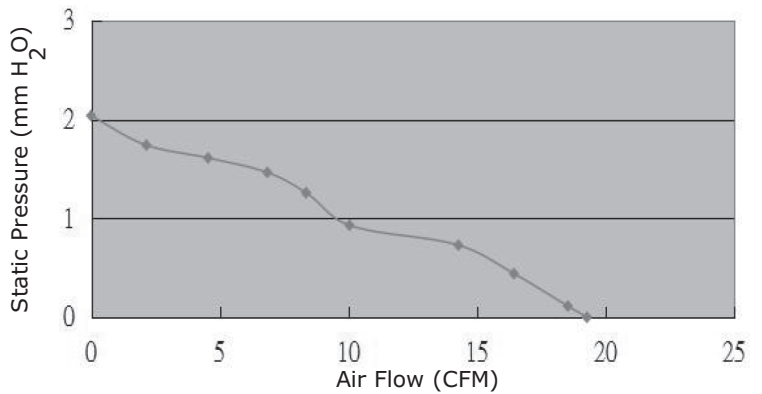
CFM-7015B-140-357



CFM-7015B-150-406

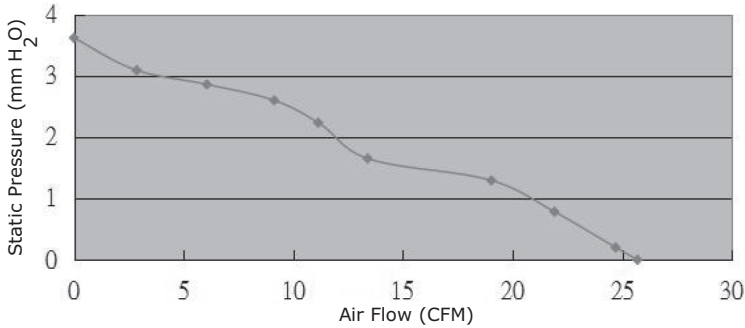


CFM-7015B-230-295

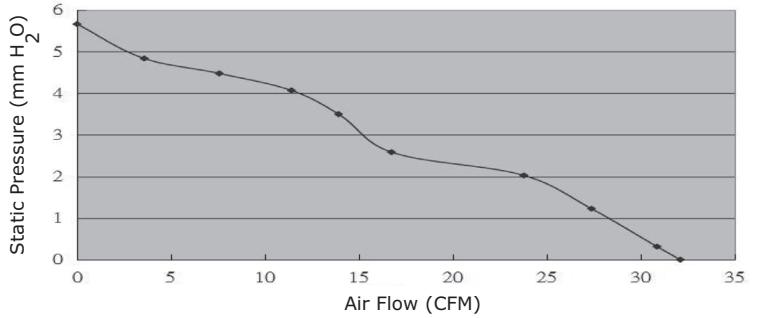


PERFORMANCE CURVES (CONTINUED)

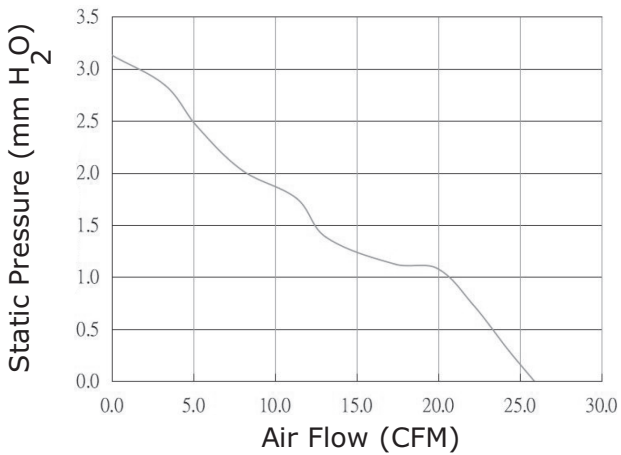
CFM-7015B-240-357



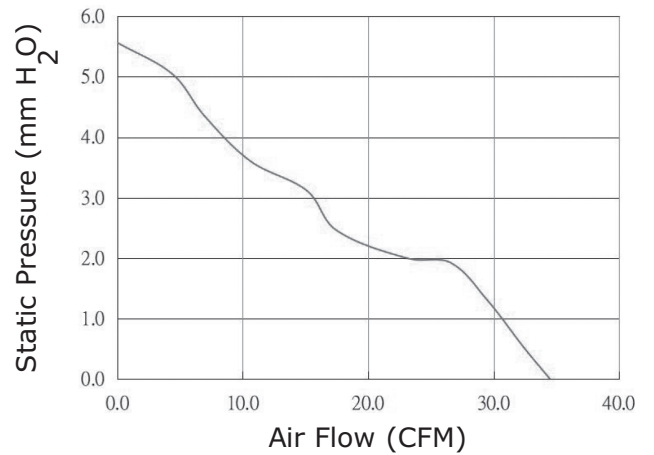
CFM-7015B-250-406



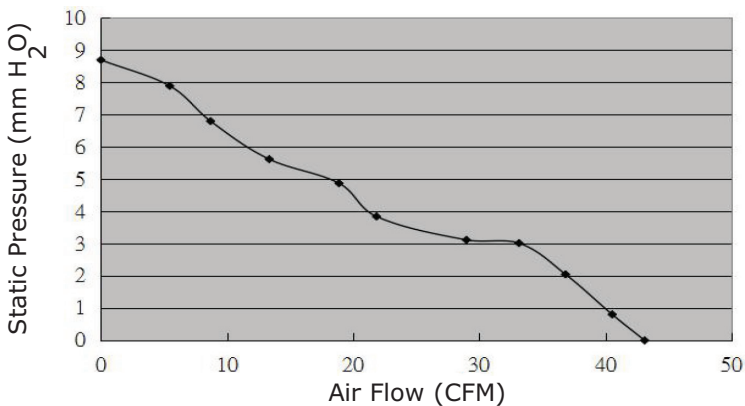
CFM-7025B-130-332



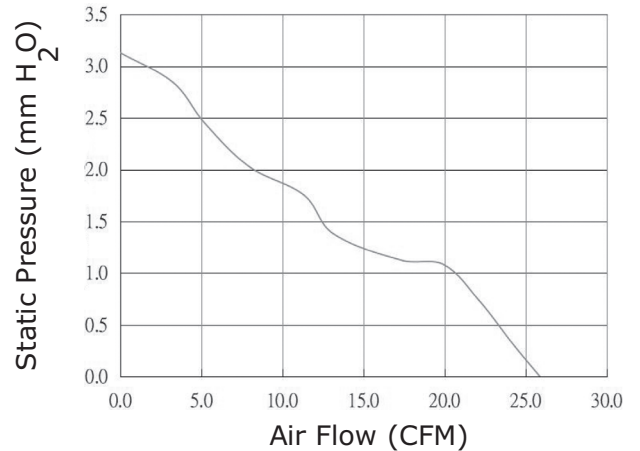
CFM-7025B-140-394



CFM-7025B-150-443

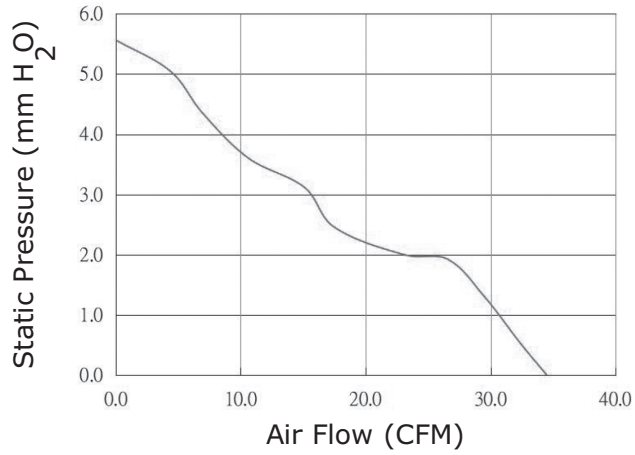


CFM-7025B-230-332

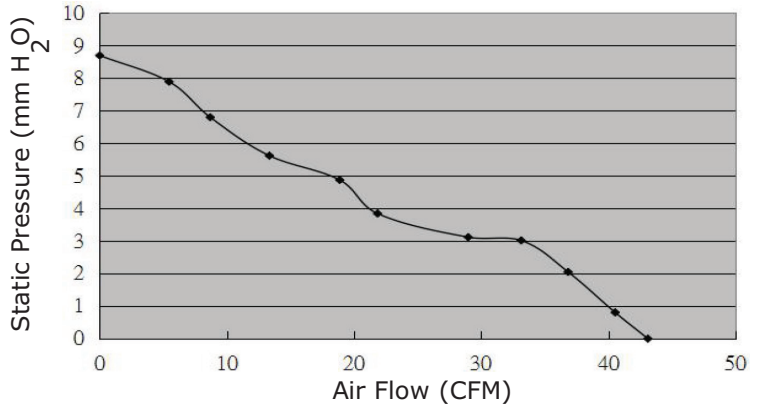


PERFORMANCE CURVES (CONTINUED)

CFM-7025B-240-394



CFM-7025B-250-443



MECHANICAL

parameter	conditions/description	min	typ	max	units
motor	4 pole DC brushless				
bearing system	dual ball bearing				
direction of rotation	counter-clockwise viewed from front of fan blade				
dimensions	CFM-7015B models: 70 x 70 x 15.5 CFM-7025B models: 70.2 x 70.2 x 25.2				mm mm
material	PBT (UL94V-0)				
weight	CFM-7015B models, weight varies by model CFM-7025B models	48	76	51.51	g g

MECHANICAL DRAWING

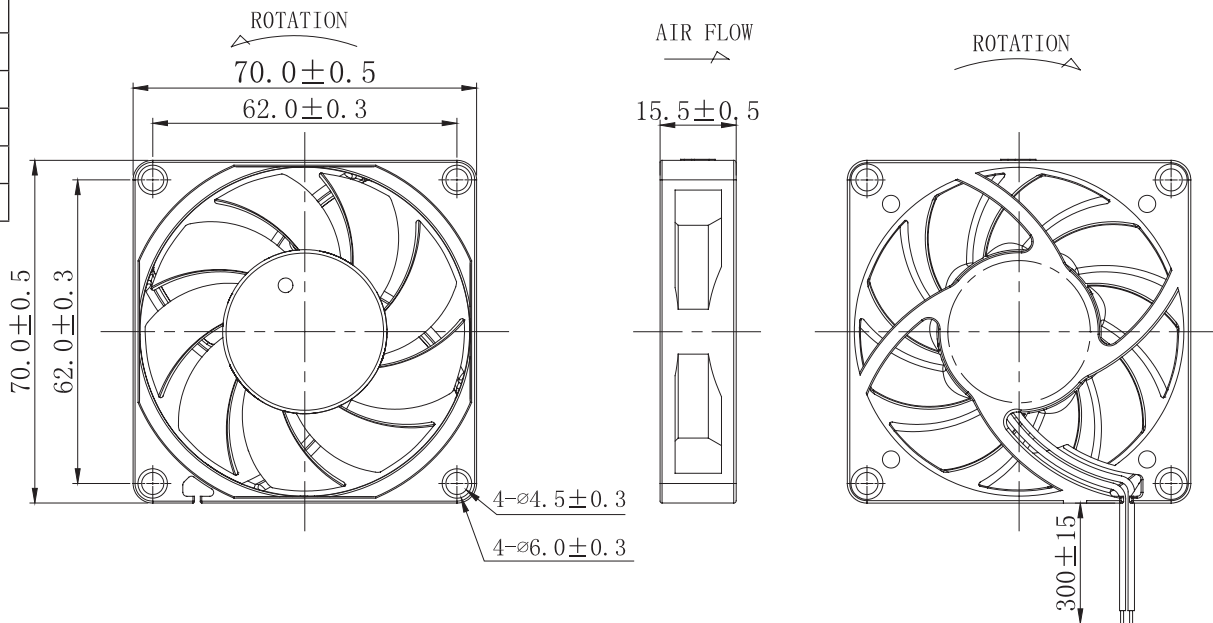
units: mm

2 wire versions (+Vin & -Vin): UL 1007, 24 AWG
 3 wire versions (+Vin, -Vin, & tach): UL 1007, 26 AWG
 4 wire versions (+Vin, -Vin, tach, & PWM): UL 1007, 28 AWG

MOUNTING SCREW (Pan Head)			
Screw Type	Size	Standard	Torque
Machine Screw	M4	JIS B1111-1974	7.5 kgf-cm
Self-tapping Screw	M5	JIS B1122 Type 2	7.5 kgf-cm

CFM-7015B

WIRE CONNECTIONS	
Wire Color	Function
Red	+Vin
Black	-Vin
Yellow ¹⁰	Tach Signal
Blue ¹⁰	PWM



Notes: ¹⁰ Wires only present on versions with output signals.

MECHANICAL DRAWING (CONTINUED)

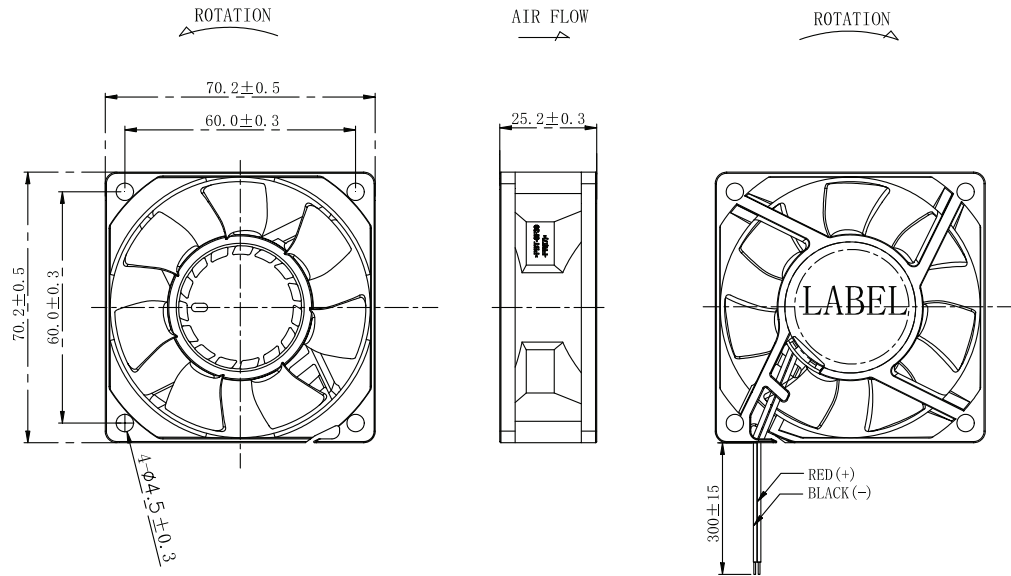
units: mm

2 wire versions (+Vin & -Vin): UL 1007, 24 AWG
 3 wire versions (+Vin, -Vin, & tach): UL 1007, 24 AWG
 4 wire versions (+Vin, -Vin, tach, & PWM): UL 1007, 26 AWG

MOUNTING SCREW (Pan Head)			
Screw Type	Size	Standard	Torque
Machine Screw	M4	JIS B1111-1974	7.5 kgf-cm
Self-tapping Screw	M5	JIS B1122 Type 2	7.5 kgf-cm

CFM-7025B

WIRE CONNECTIONS	
Wire Color	Function
Red	+Vin
Black	-Vin
Yellow ¹⁰	Tach Signal
Blue ¹⁰	PWM



Notes: ¹⁰ Wires only present on versions with output signals.

APPLICATION NOTES

Auto Restart Protection

When the fan motor is locked by an external force, the device will temporarily turn off electrical power to the motor and restart automatically when the locked rotor condition is released.

Polarity Protection

Able to withstand 10 minutes of reverse polarity connection between the positive and negative wires without causing damage.

Tachometer Signal (Yellow Wire)

The tachometer signal is for detecting the rotational speed of the fan motor. The output will be a square wave when fan is operating and V_{FG} or V_{CE} depending on the locked rotor position when fan motor is locked (See Figures 1~2 below).

Figure 1: Tachometer Output Circuit

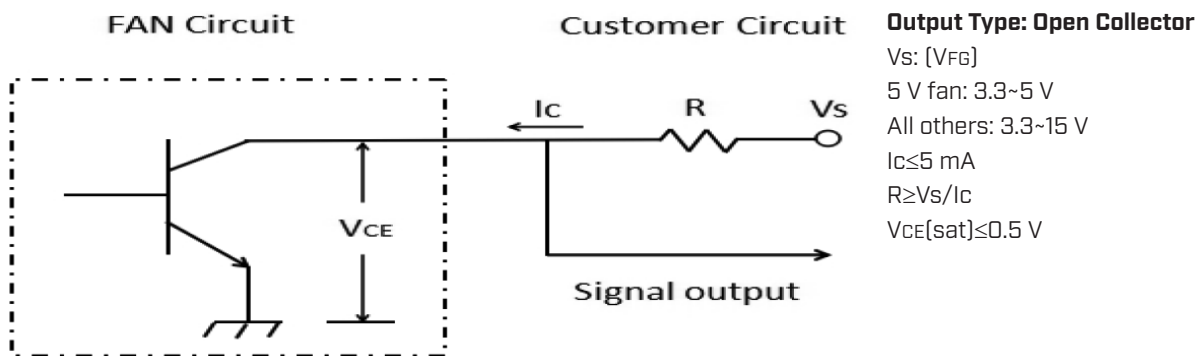
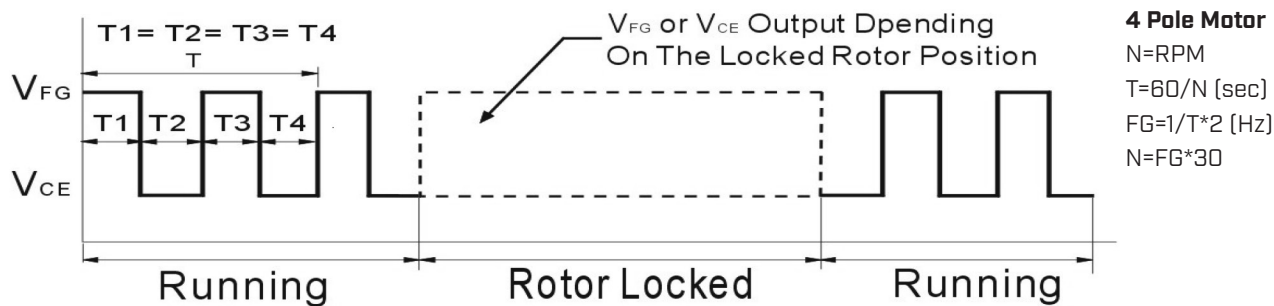


Figure 2: Tachometer Output Waveform

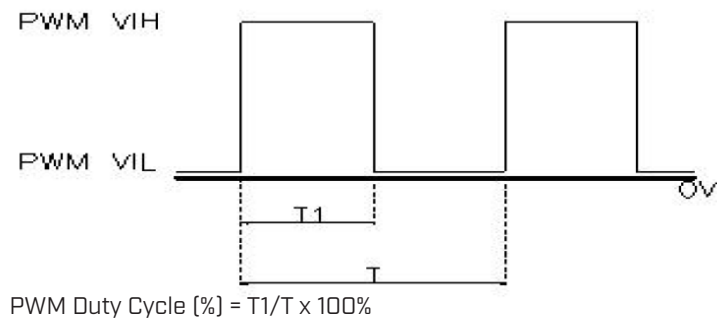


APPLICATION NOTES (CONTINUED)

PWM Signal (Blue Wire)

This wire is for speed control of the fan motor using a PWM input signal from the customer circuit (See Figure 3 below).

Figure 3: PWM Input Signal



Model	PWM Frequency Range (kHz)	PWM VIH [V]	PWM VIL [V]
CFM-7015B-030-295-22	0.3~45	1.7~6	0~0.7
CFM-7015B-040-357-22	0.3~45	1.7~6	0~0.7
CFM-7015B-130-295-22	0.3~45	1.7~6	0~0.7
CFM-7015B-140-357-22	0.3~45	1.7~6	0~0.7
CFM-7015B-150-406-22	0.3~45	1.7~6	0~0.7
CFM-7015B-230-295-22	0.2~50	2.5~10	0~0.8
CFM-7015B-240-357-22	0.6~55	2.3~10	0~0.7
CFM-7015B-250-406-22	0.6~55	2.3~10	0~0.7
CFM-7025B-130-332-22	0.3~45	2~6	0~0.6
CFM-7025B-140-394-22	0.3~45	2~6	0~0.6
CFM-7025B-150-443-22	21~28	3.84~6.5	0~1.71
CFM-7025B-230-332-22	0.5~50	2.5~5	-0.3~0.7
CFM-7025B-240-394-22	0.5~50	2.5~5	-0.3~0.7
CFM-7025B-250-443-22	0.5~50	2.5~5	-0.3~0.7

REVISION HISTORY

rev.	description	date
1.0	initial release	05/12/2021
1.01	added models CFM-7025B-130-332, CFM-7025B-140-394, CFM-7025B-150-443, CFM-7025B-230-332, CFM-7025B-240-394, CFM-7025B-250-443	10/29/2021
1.02	added wire details for 3 wire versions	02/24/2022
1.03	added PWM signal versions	05/24/2022
1.04	logo, datasheet style update	08/12/2022
1.05	added new models	05/01/2023
1.06	updated PWM details	03/07/2024
1.07	CUI Devices rebranded to Same Sky	09/12/2024

The revision history provided is for informational purposes only and is believed to be accurate.



Same Sky offers a one (1) year limited warranty. Complete warranty information is listed on our website.

Same Sky reserves the right to make changes to the product at any time without notice. Information provided by Same Sky is believed to be accurate and reliable. However, no responsibility is assumed by Same Sky for its use, nor for any infringements of patents or other rights of third parties which may result from its use.

Same Sky products are not authorized or warranted for use as critical components in equipment that requires an extremely high level of reliability. A critical component is any component of a life support device or system whose failure to perform can be reasonably expected to cause the failure of the life support device or system, or to affect its safety or effectiveness.

[sameskydevices.com](https://www.sameskydevices.com)