

**MODEL:** CES-885955-26PM | **DESCRIPTION:** SPEAKER**FEATURES**

- 2 W rated power
- 6 ohm rated impedance
- panel mount

**SPECIFICATIONS**

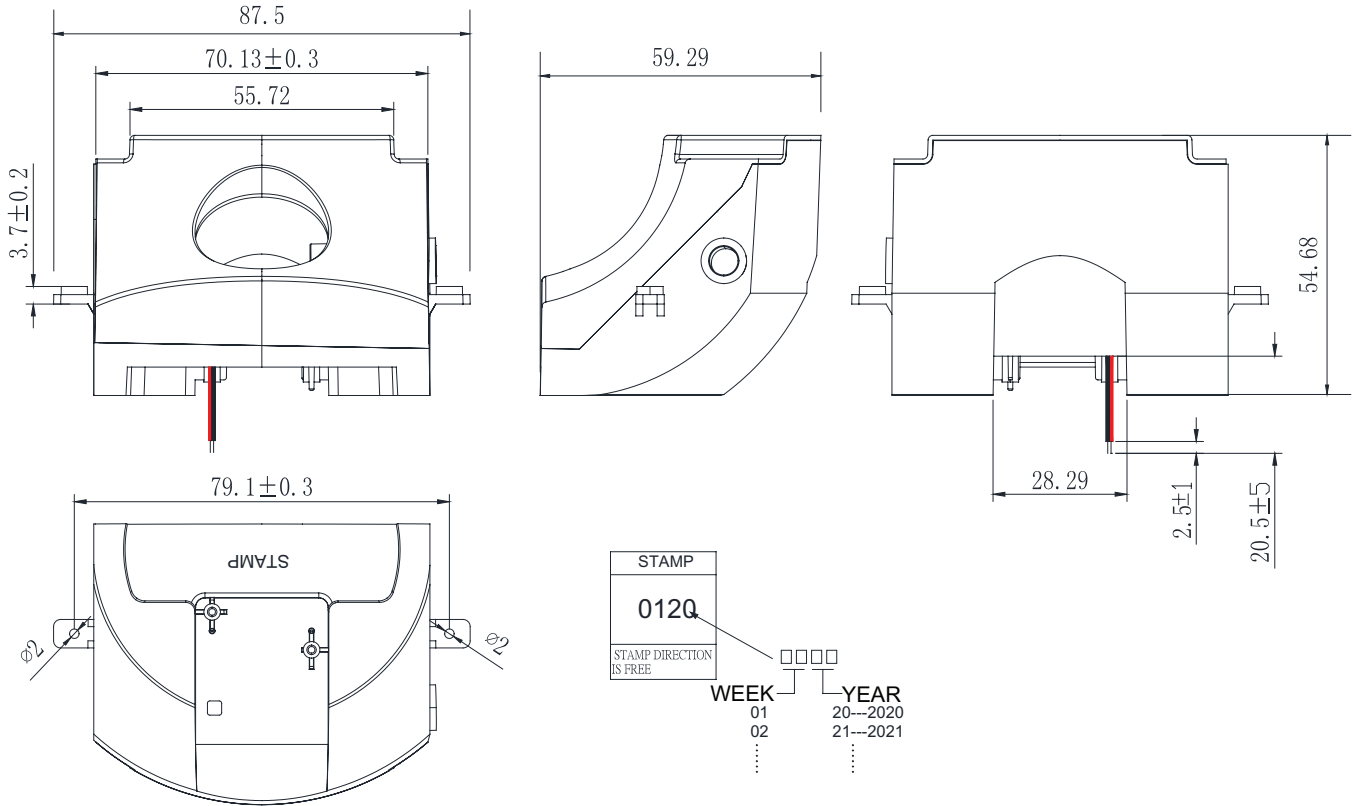
parameter	conditions/description	min	typ	max	units
input power	max power: IEC-60268-5, filter 50 seconds on, 120 seconds off, 10 cycles (room temp)		2.0	3.0	W
impedance	at 2.0 kHz	5.1	6	6.9	$\Omega$
resonant frequency (Fo)	at 1.0 V	256	320	384	Hz
frequency response		Fo		20,000	Hz
sound pressure level	at 1.0 W, 0.1 m, avg at 0.6, 0.8, 1.0, 1.2 kHz	88	91	94	dB
distortion	at 1.0 kHz, 1.0 W			10	%
buzz, rattle, etc.	must be normal at sine wave, frequency range			3.46	V
polarity	cone moves forward w/ positive dc current to "+" terminal				
dimensions	87.9 x 59.29 x 54.9				mm
magnet	Nd-Fe-B				
enclosure material	ABS 777D				
cone material	PU-AL				
terminal	wire leads				
weight			51.0		g
operating temperature		-30		70	$^{\circ}\text{C}$
storage temperature		-30		70	$^{\circ}\text{C}$
hand soldering	for maximum 3 seconds			380	$^{\circ}\text{C}$
RoHS	yes				

Notes: 1. All specifications measured at 15-35 $^{\circ}\text{C}$ , humidity at 45-85%, under 86-106 kPa pressure, unless otherwise noted.

## MECHANICAL DRAWING

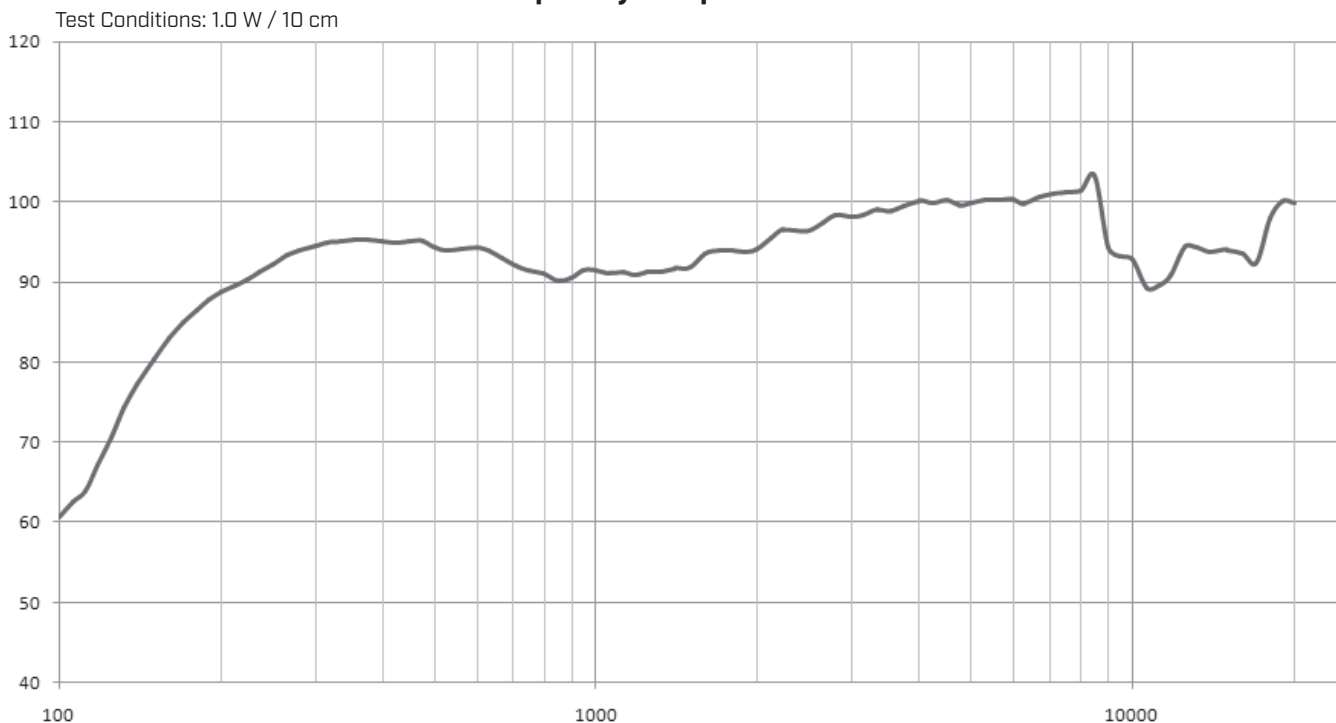
units: mm  
tolerance:  $\pm 0.3$  mm

wire: UL1571 30 AWG  
internal speaker: CMS-3150-26SP

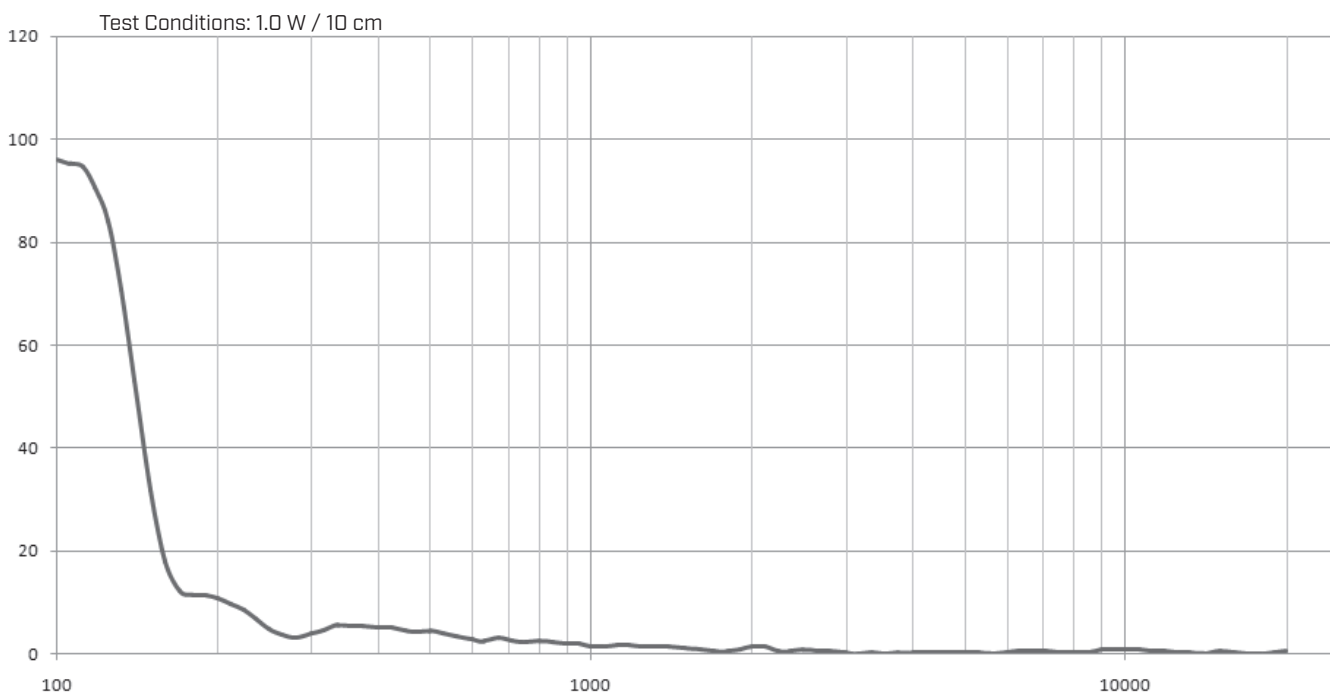


## RESPONSE CURVES

### Frequency Response Curve



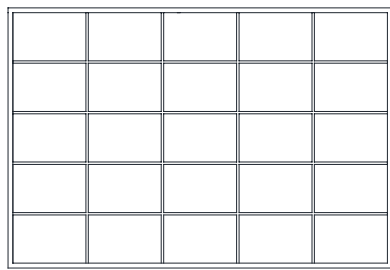
### Total Harmonic Distortion Curve



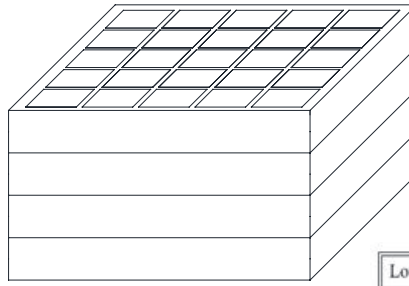
## PACKAGING

units: mm

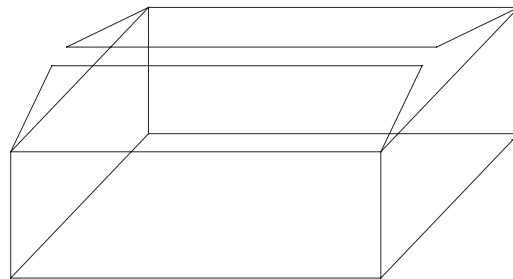
Tray Size: 475 x 325 x 60 mm  
 Tray QTY: 25 pcs per tray  
 Carton Size: 485 x 335 x 270 mm  
 Carton QTY: 100 pcs per carton



Paper+Bubble cotton (25pcs)  
 475 × 325 × 60MM



25\*4=100pcs  
 ↓



CARTON BOX (100PCS)  
 485 × 335 × 270MM

Lot No.	XXXXXXXXXX
Part No.	Invt. Partic.
Quantity.	XXXX Pes
Date:	
	DD MM YY
	MADE IN CHINA

**RoHs Compliant**

## REVISION HISTORY

rev.	description	date
1.0	initial release	06/08/2020
1.01	logo, datasheet style update	08/05/2022
1.02	CUI Devices rebranded to Same Sky	09/11/2024

The revision history provided is for informational purposes only and is believed to be accurate.



Same Sky offers a one (1) year limited warranty. Complete warranty information is listed on our website.

Same Sky reserves the right to make changes to the product at any time without notice. Information provided by Same Sky is believed to be accurate and reliable. However, no responsibility is assumed by Same Sky for its use, nor for any infringements of patents or other rights of third parties which may result from its use.

Same Sky products are not authorized or warranted for use as critical components in equipment that requires an extremely high level of reliability. A critical component is any component of a life support device or system whose failure to perform can be reasonably expected to cause the failure of the life support device or system, or to affect its safety or effectiveness.

[sameskydevices.com](https://www.sameskydevices.com)