

**MODEL:** CES-703316-28PM | **DESCRIPTION:** SPEAKER**FEATURES**

- paper and cloth cone
- 2 screw holes for mounting
- 420 mm lead wire
- connector

**SPECIFICATIONS**

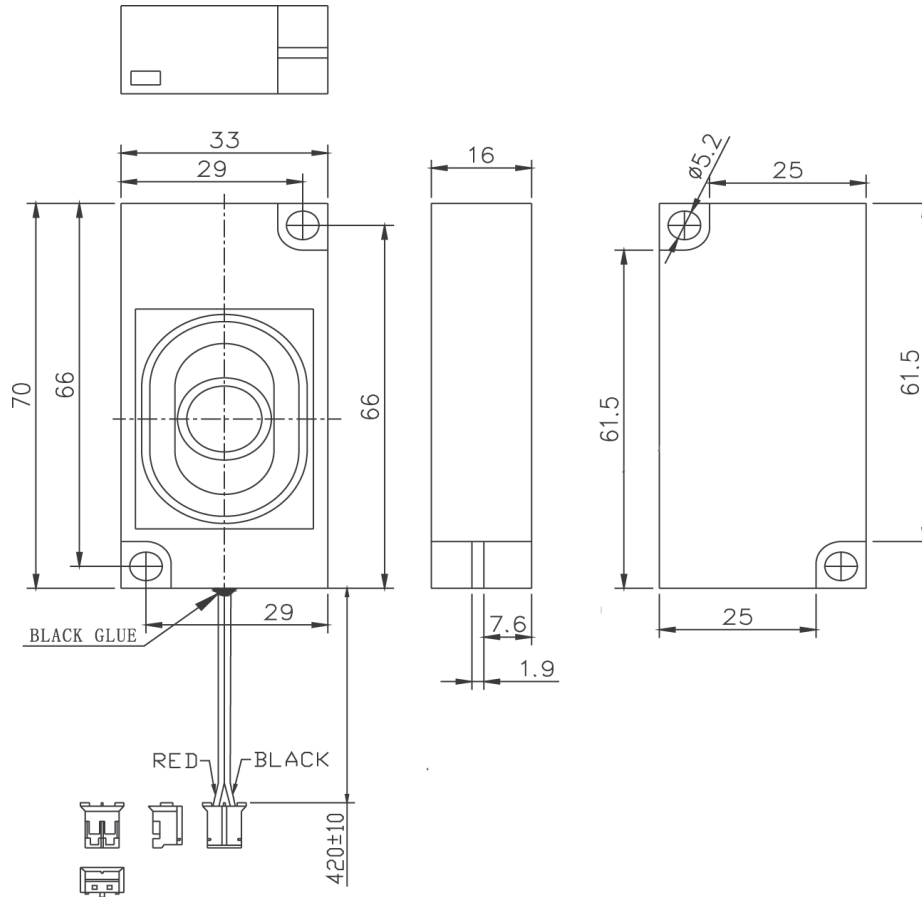
parameter	conditions/description	min	typ	max	units
input power	max power: 1 minute on, 2 minutes off, 10 cycles		2.0	3.0	W
impedance	at 1.0 kHz, 1.0 Vrms	6.8	8	9.2	$\Omega$
resonant frequency (Fo)	at 1.0 Vrms, 10 cm	520	650	780	Hz
frequency response	as per IEC 268-5	Fo		20,000	Hz
sound pressure level	at 2.0 W, 10 cm, avg at 0.8, 1.0, 1.18, 1.5 kHz	99	102	105	dB
distortion	at 2.0 kHz, rated power, 10 cm			10	%
buzz, rattle, etc.	must be normal at sine wave, 200~20,000 Hz			4.0	V
polarity	cone moves forward w/ positive dc current to "+" terminal				
dimensions	70 x 33 x 16				mm
magnet	Nd-Fe-B				
enclosure material	ABS				
cone material	paper + cloth				
terminal	wire leads w/ connector				
weight			25		g
operating temperature		-20		60	$^{\circ}\text{C}$
storage temperature		-30		70	$^{\circ}\text{C}$
RoHS	yes				

Notes: 1. All specifications measured at 15~35 $^{\circ}\text{C}$ , humidity at 25~75%, under 86~106 kPa pressure, unless otherwise noted.

## MECHANICAL DRAWING

units: mm  
tolerance: ±0.5 mm

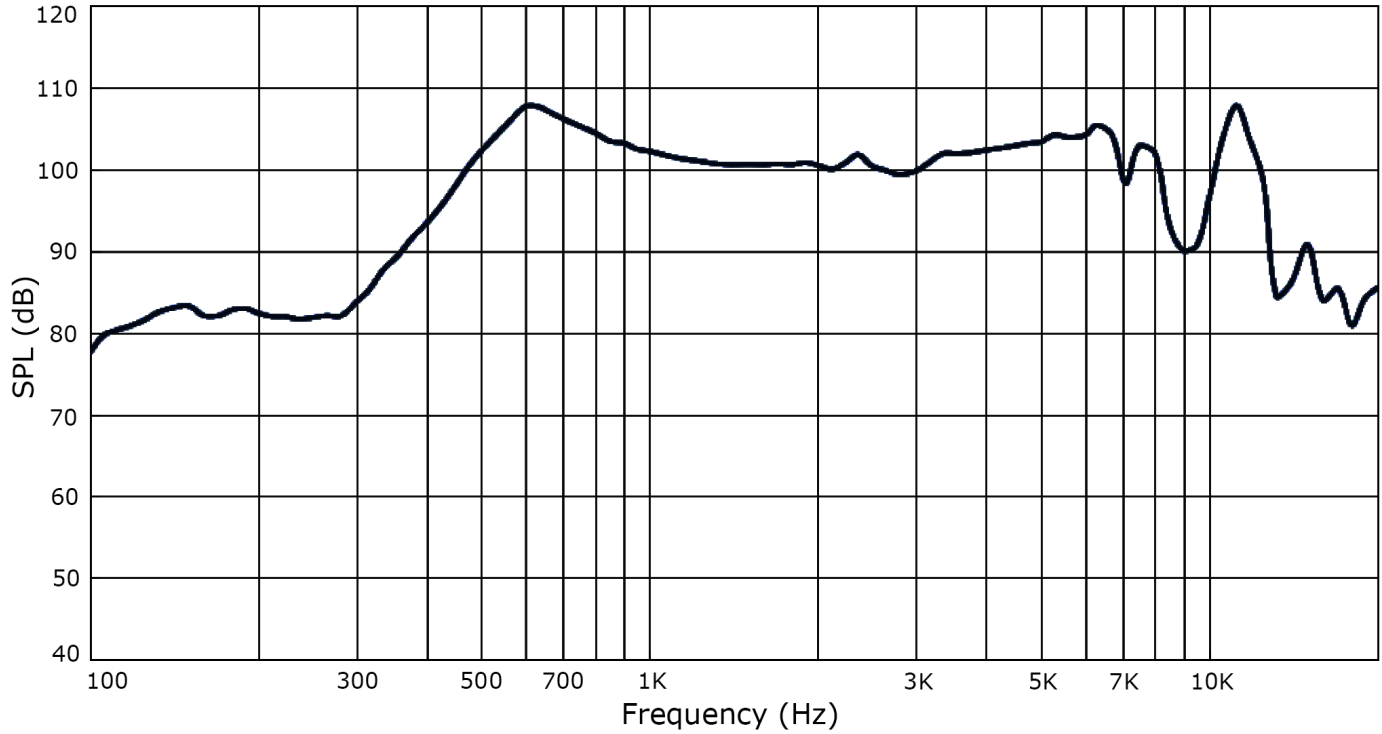
wire: UL1007 26 AWG  
internal speaker: CMS-402811-28SP  
connector: JST PHR-2  
terminal: JST SPH-002T-P0.5S



## RESPONSE CURVES

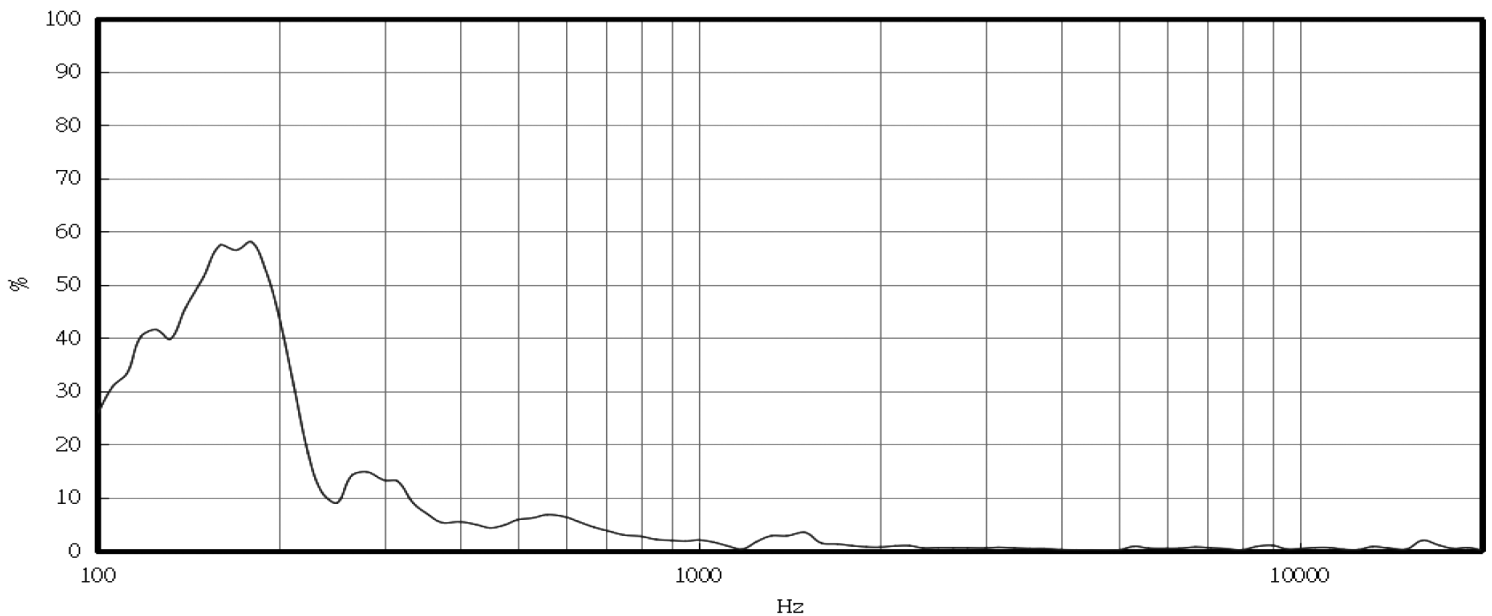
### Frequency Response Curve

Test Conditions: 4.0 Vrms / 10 cm



### Total Harmonic Distortion Curve

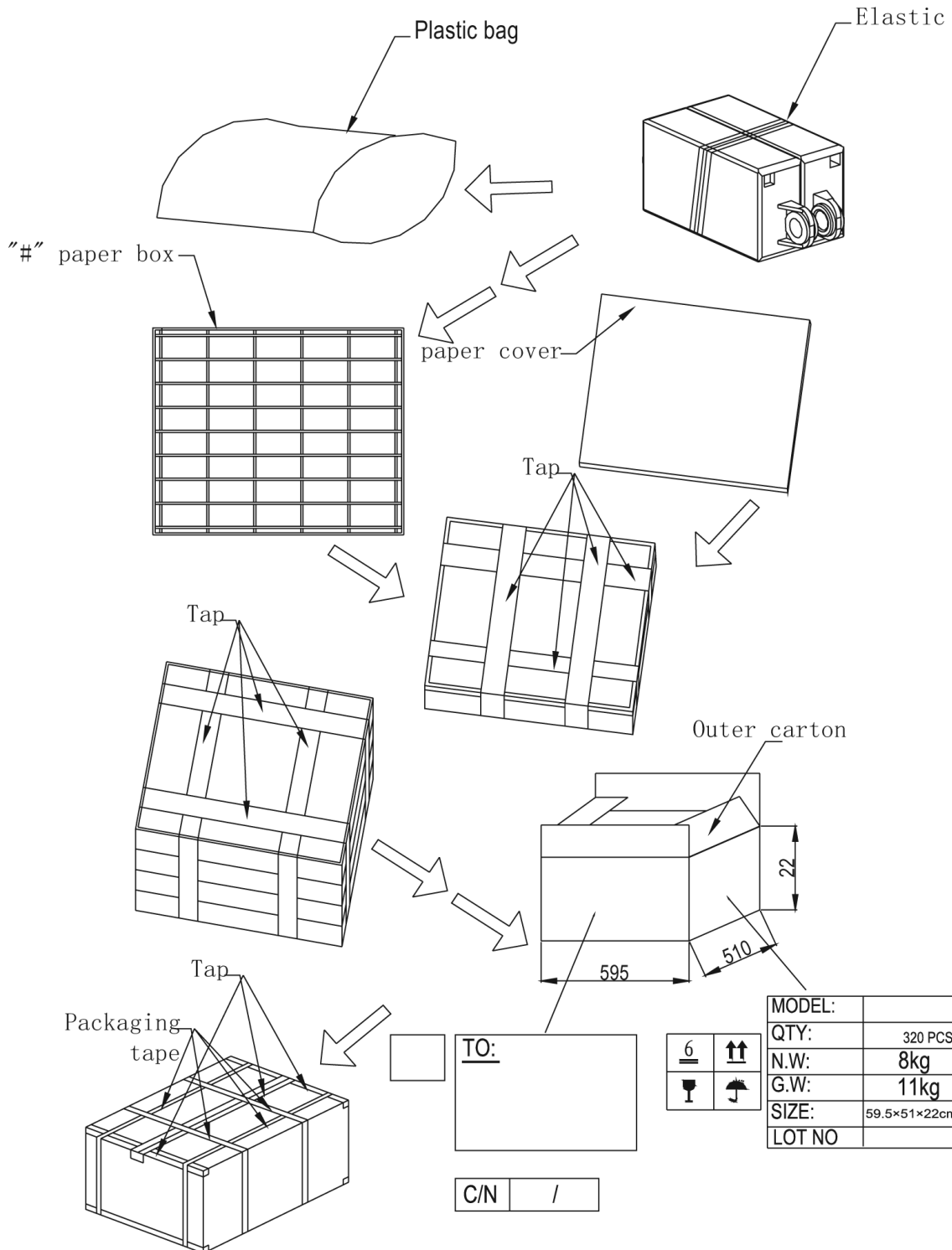
Test Conditions: 4.0 Vrms / 10 cm



## PACKAGING

units: mm

Tray QTY: 80 pcs per tray (40 sets per box)  
 Carton Size: 595 x 510 x 220 mm  
 Carton QTY: 320 pcs per carton



## REVISION HISTORY

rev.	description	date
1.0	initial release	11/06/2019
1.01	added internal speaker details	03/12/2020
1.02	logo, datasheet style update	08/05/2022
1.03	CUI Devices rebranded to Same Sky	09/11/2024

The revision history provided is for informational purposes only and is believed to be accurate.



Same Sky offers a one (1) year limited warranty. Complete warranty information is listed on our website.

Same Sky reserves the right to make changes to the product at any time without notice. Information provided by Same Sky is believed to be accurate and reliable. However, no responsibility is assumed by Same Sky for its use, nor for any infringements of patents or other rights of third parties which may result from its use.

Same Sky products are not authorized or warranted for use as critical components in equipment that requires an extremely high level of reliability. A critical component is any component of a life support device or system whose failure to perform can be reasonably expected to cause the failure of the life support device or system, or to affect its safety or effectiveness.

[sameskydevices.com](https://www.sameskydevices.com)