

MODEL: CEM-14R06CT | **DESCRIPTION:** MAGNETIC BUZZER TRANSDUCER

FEATURES

- through hole
- 1.5 V rated
- externally driven

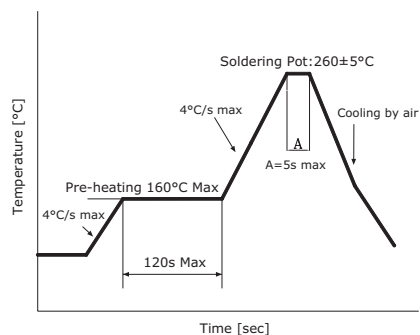

SPECIFICATIONS

parameter	conditions/description	min	typ	max	units
rated voltage	V_{o-p}		1.5		V_{o-p}
operating voltage		1.0		1.7	V_{o-p}
current consumption	at rated voltage, 2,800 Hz square wave, 1/2 duty			40	mA
rated frequency			2,800		Hz
sound pressure level	at 10 cm (A-weight), rated voltage, 2,800 Hz square wave, 1/2 duty	85	91		dBA
coil resistance		13.6	16.0	18.4	Ω
dimensions	$\varnothing 12.0 \times 10.0$				mm
weight			1.6		g
material	PBT				
terminal	pin type (Au plating)				
operating temperature		-20		60	$^{\circ}\text{C}$
storage temperature		-30		70	$^{\circ}\text{C}$
washable	yes				
RoHS	yes				

Notes: 1. All specifications measured at 5-35 $^{\circ}\text{C}$, humidity at 45-85%, under 86-106kPa pressure, unless otherwise noted.

SOLDERABILITY

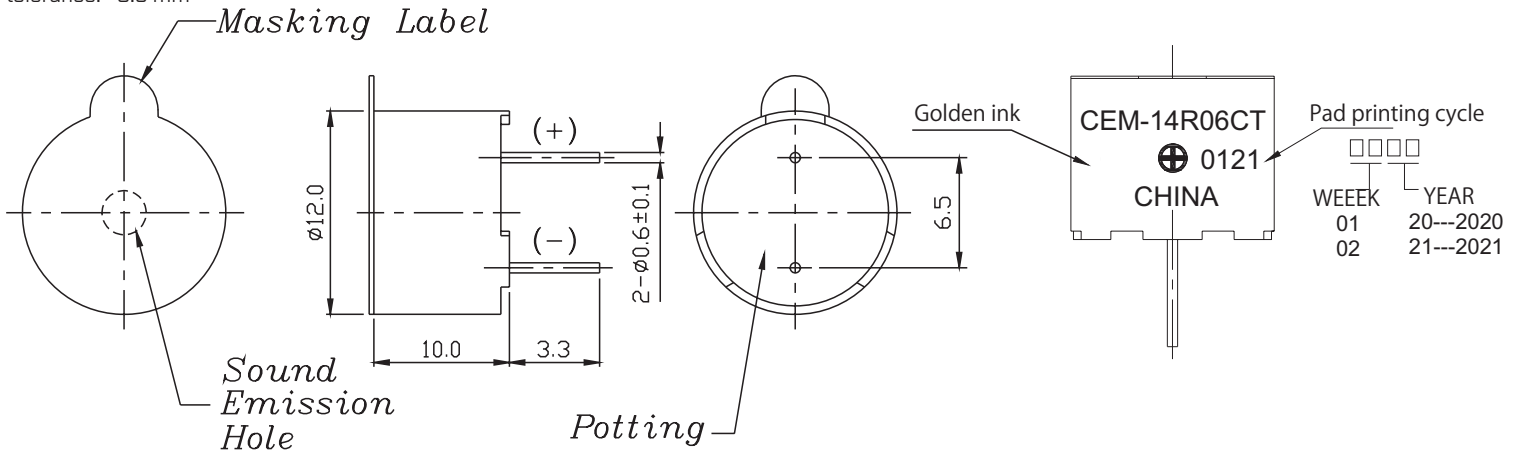
parameter	conditions/description	min	typ	max	units
hand soldering	for maximum 2 seconds	330		380	$^{\circ}\text{C}$
wave soldering	see wave solder profile	255	260	265	$^{\circ}\text{C}$



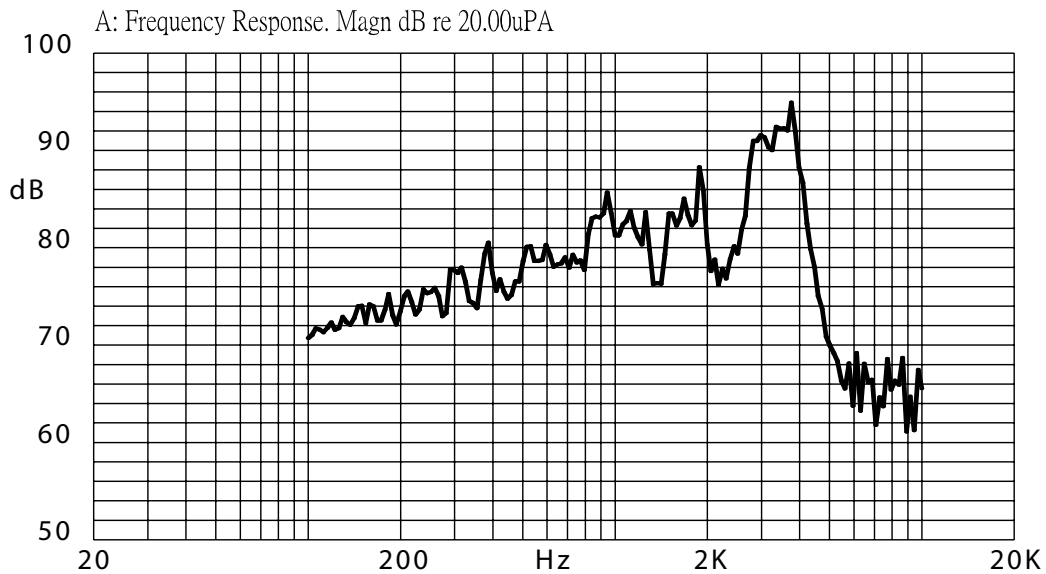
MECHANICAL DRAWING

units: mm

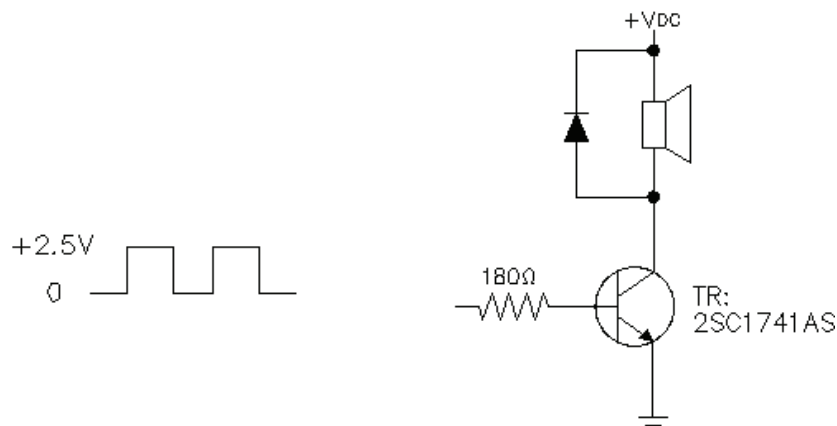
tolerance: ±0.5 mm



FREQUENCY RESPONSE CURVE



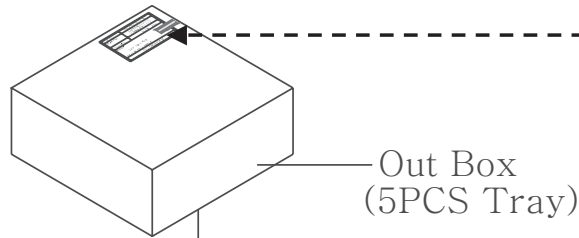
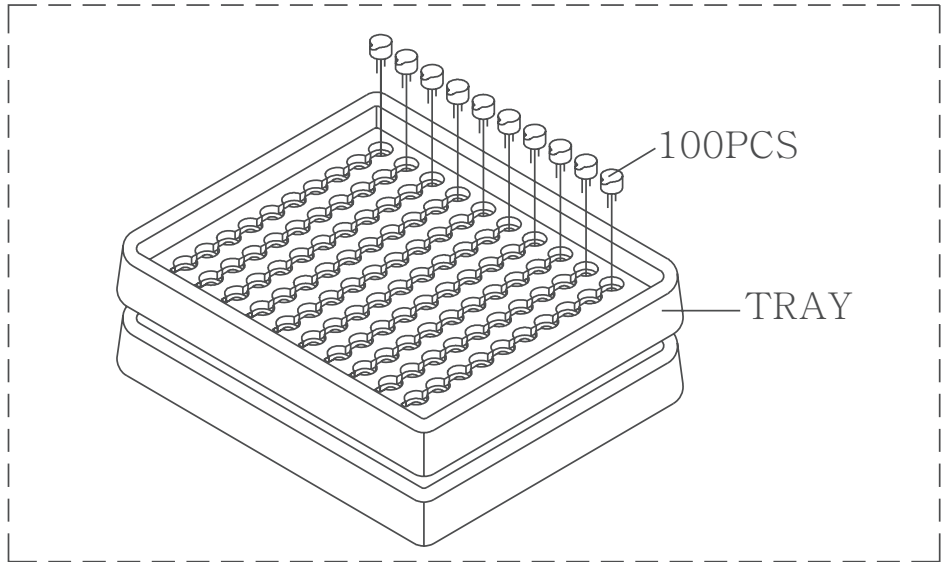
APPLICATION CIRCUIT



PACKAGING

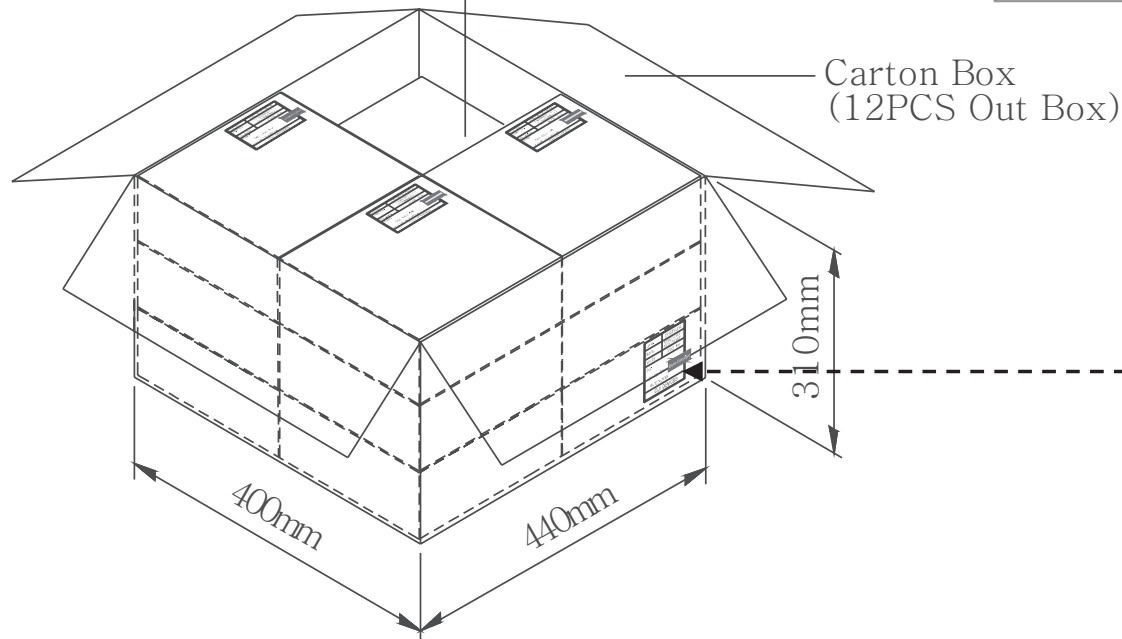
units: mm

Tray Size: 184 x 184 x 23 mm
 Carton Size: 440 x 400 x 310 mm
 Tray QTY: 100 pcs per tray
 Carton QTY: 6,000 pcs per carton



Lot No.	XXXXXXXXXX
Part No.	XXXXXXXXXX XXXXXXXXXX
Quantity	XXXX Pcs
Date:	DD MM YY
MADE IN CHINA	

RoHs Compliant



REVISION HISTORY

rev.	description	date
1.0	initial release	09/12/2006
1.01	brand update	01/06/2020
1.02	changed pin pitch	10/27/2021
1.03	logo, datasheet style update	08/05/2022
1.04	CUI Devices rebranded to Same Sky	09/11/2024

The revision history provided is for informational purposes only and is believed to be accurate.



Same Sky offers a one (1) year limited warranty. Complete warranty information is listed on our website.

Same Sky reserves the right to make changes to the product at any time without notice. Information provided by Same Sky is believed to be accurate and reliable. However, no responsibility is assumed by Same Sky for its use, nor for any infringements of patents or other rights of third parties which may result from its use.

Same Sky products are not authorized or warranted for use as critical components in equipment that requires an extremely high level of reliability. A critical component is any component of a life support device or system whose failure to perform can be reasonably expected to cause the failure of the life support device or system, or to affect its safety or effectiveness.

[sameskydevices.com](https://www.sameskydevices.com)