

MODEL: CDS-4020-16 | **DESCRIPTION:** SPEAKER**FEATURES**

- 16 Ohm
- rated 1.5 W
- solder eyelets

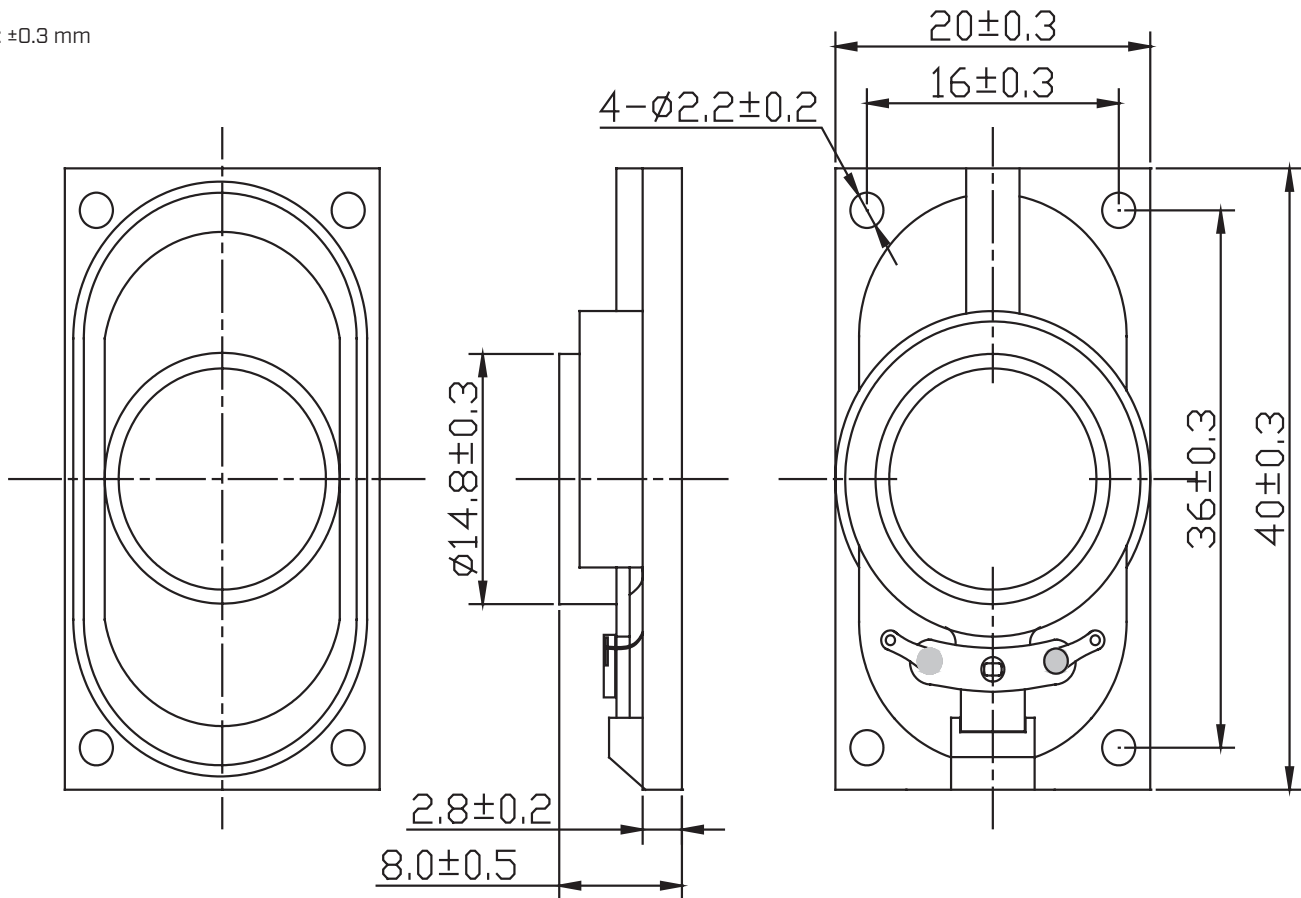
**SPECIFICATIONS**

| parameter | conditions/description | min | typ | max | units |
|-------------------------|---|------|-----|--------|--------------------|
| input power | max power: 1 minute on, 2 minutes off, 10 cycles | | 1.5 | 3.0 | W |
| impedance | at 1.0 kHz, 1.0 V | 13.6 | 16 | 18.4 | Ω |
| resonant frequency (Fo) | at 1.0 V | 440 | 550 | 600 | Hz |
| frequency response | | Fo | | 20,000 | Hz |
| sound pressure level | at 0.1 W, 0.1 m, avg at 0.8, 1.0, 1.2, 1.5 kHz in baffleboard | 87 | 90 | 93 | dB |
| distortion | at 1.0 kHz, 1.0 V | | | 5 | % |
| buzz, rattle, etc. | must be normal at sine wave, between 500 ~ 5,000 Hz | | | 4.9 | V |
| polarity | cone moves forward w/ positive dc current to "+" terminal | | | | |
| dimensions | 40 x 20 x 8.0 | | | | mm |
| magnet | Nd-Fe-B | | | | |
| frame material | ABS (black) | | | | |
| cone material | cloth | | | | |
| terminal | solder eyelets | | | | |
| weight | | | 7.6 | | g |
| operating temperature | | -20 | | 60 | $^{\circ}\text{C}$ |
| storage temperature | | -30 | | 70 | $^{\circ}\text{C}$ |
| hand soldering | for maximum 2 seconds | | | 380 | $^{\circ}\text{C}$ |
| RoHS | yes | | | | |

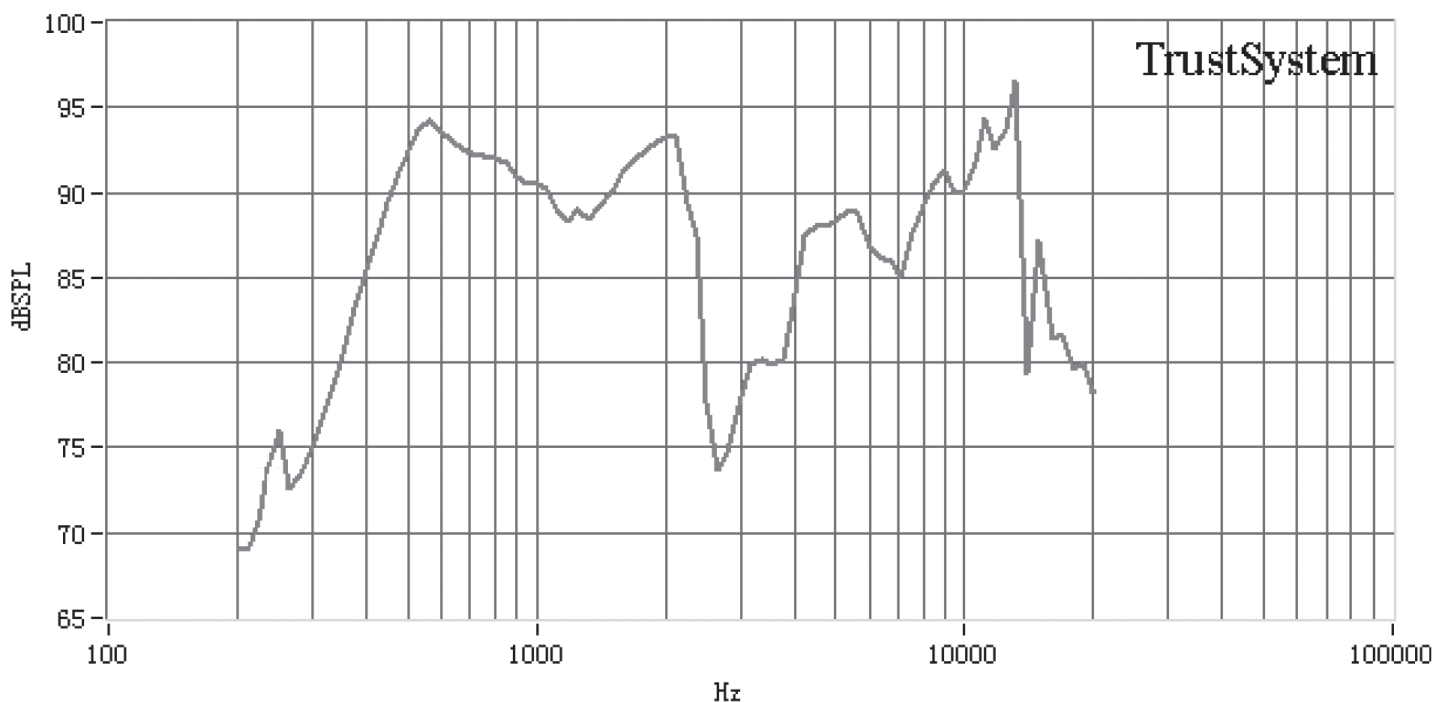
Notes: 1. All specifications measured at 15-35 $^{\circ}\text{C}$, humidity at 45-85%, under 86-106 kPa pressure, unless otherwise noted.

MECHANICAL DRAWING

units: mm
tolerance: ± 0.3 mm



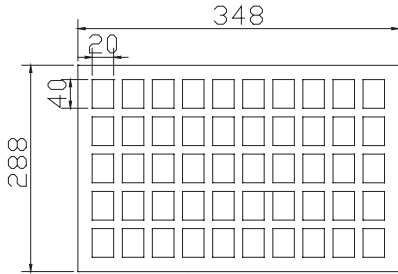
FREQUENCY RESPONSE CURVE



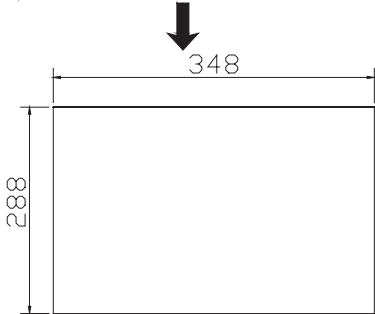
PACKAGING

units: mm

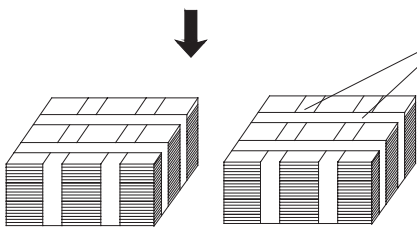
Tray Size: 348 x 288 mm
 Tray QTY: 50 pcs per tray
 Carton Size: 600 x 370 x 205 mm
 Carton QTY: 1,000 pcs per carton



Foam Cardboard: 288X348X17mm;
50PCS/1PC

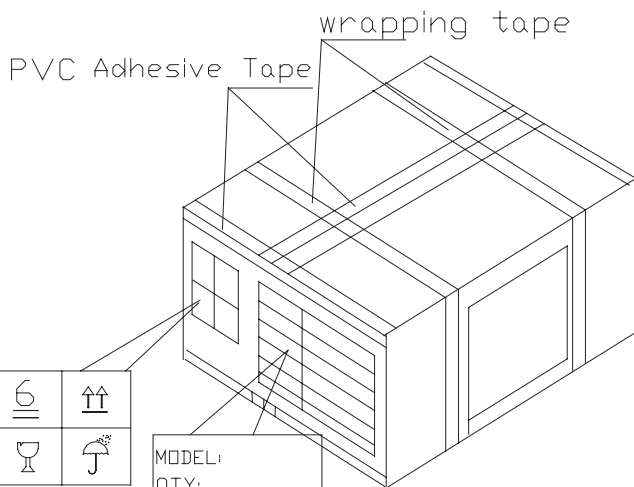
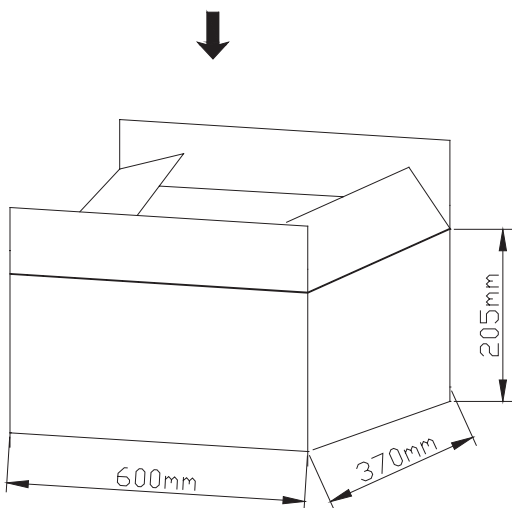


Cardboard: 288X348X7mm;



PVC Adhesive Tape

10PCS Foam Cardboard + 1PC Cardboard
20PCS/Paper Carton



Size: 600X370X205mm;
Paper Carton/1: 20X50=1000 PCS



MODEL:
QTY:
N.W:
G.W:
SIZE:
LOT NO:

REVISION HISTORY

| rev. | description | date |
|------|-----------------------------------|------------|
| 1.0 | initial release | 11/22/2021 |
| 1.01 | logo, datasheet style update | 08/05/2022 |
| 1.02 | CUI Devices rebranded to Same Sky | 09/11/2024 |

The revision history provided is for informational purposes only and is believed to be accurate.



Same Sky offers a one (1) year limited warranty. Complete warranty information is listed on our website.

Same Sky reserves the right to make changes to the product at any time without notice. Information provided by Same Sky is believed to be accurate and reliable. However, no responsibility is assumed by Same Sky for its use, nor for any infringements of patents or other rights of third parties which may result from its use.

Same Sky products are not authorized or warranted for use as critical components in equipment that requires an extremely high level of reliability. A critical component is any component of a life support device or system whose failure to perform can be reasonably expected to cause the failure of the life support device or system, or to affect its safety or effectiveness.

[sameskydevices.com](https://www.sameskydevices.com)