

MODEL: CDS-15158-SMT | **DESCRIPTION:** SPEAKER

FEATURES

- SMT (surface mount) speaker
- reflow solder capable
- compact size

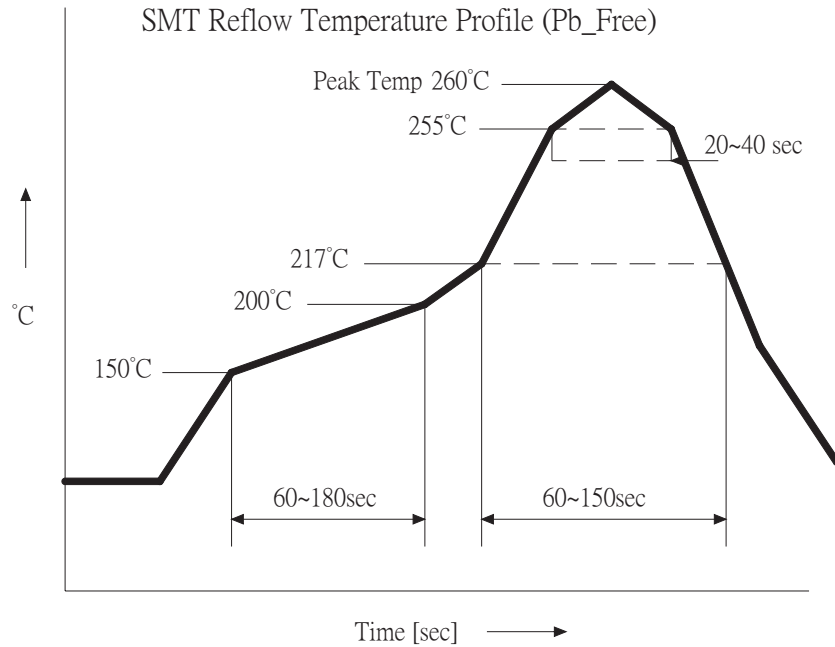

SPECIFICATIONS

| parameter | conditions/description | min | typ | max | units |
|-------------------------|--|-----|------|--------|--------------|
| input power | maximum power: IEC-60268-5, filter 60s on/120s off, 10 cycles at room temp | | 0.3 | 0.5 | W |
| impedance | at 1.0 kHz, 1.0 V | 6.8 | 8 | 9.2 | Ω |
| resonant frequency (Fo) | at 1.0 V | 680 | 850 | 1,020 | Hz |
| frequency response | | Fo | | 20,000 | Hz |
| sound pressure level | at 0.3 W, 0.1 m ave, at 1.0, 1.2, 1.5, 2.0 kHz | 84 | 87 | 90 | dB |
| distortion | at 2.0 kHz, 0.3 W | | | 5 | % |
| buzz, rattle, etc. | must be normal at sine wave between Fo ~ 20 kHz | | 1.55 | | V |
| dimensions | 15 x 15 x 5.0 | | | | mm |
| magnet | Sm ₂ Co ₁₇ , \varnothing 8.0 x 1.0 mm | | | | |
| material | LCP | | | | |
| cone material | PET | | | | |
| terminal | surface mount, Au plating | | | | |
| weight | | | 2.1 | | g |
| operating temperature | | -40 | | 85 | $^{\circ}$ C |
| storage temperature | | -40 | | 85 | $^{\circ}$ C |
| washable | yes | | | | |
| RoHS | yes | | | | |

Notes: 1. All specifications measured at 5-35 $^{\circ}$ C, humidity at 45-85%, under 86-106kPa pressure, unless otherwise noted.
2. Add suffix "-TR" to the model for tape and reel packaging.

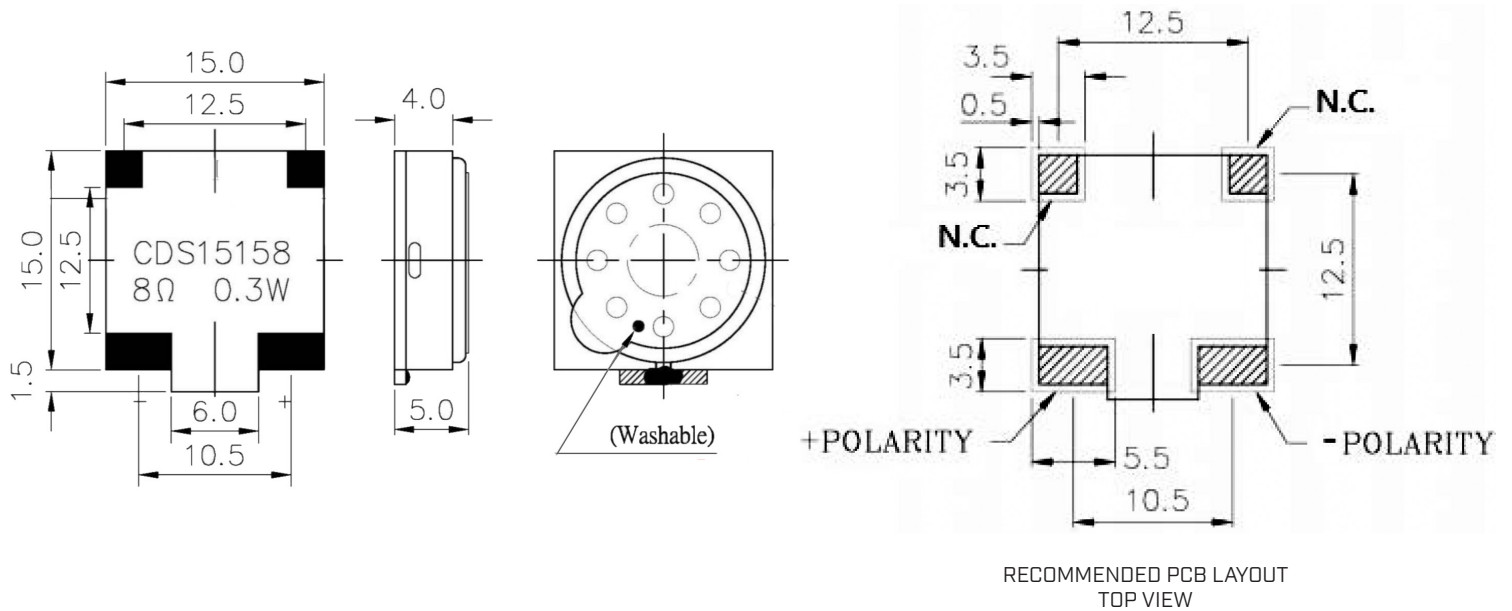
SOLDERABILITY

| parameter | conditions/description | min | typ | max | units |
|------------------|------------------------|-----|-----|-----|-------|
| reflow soldering | see reflow profile | | | 260 | °C |



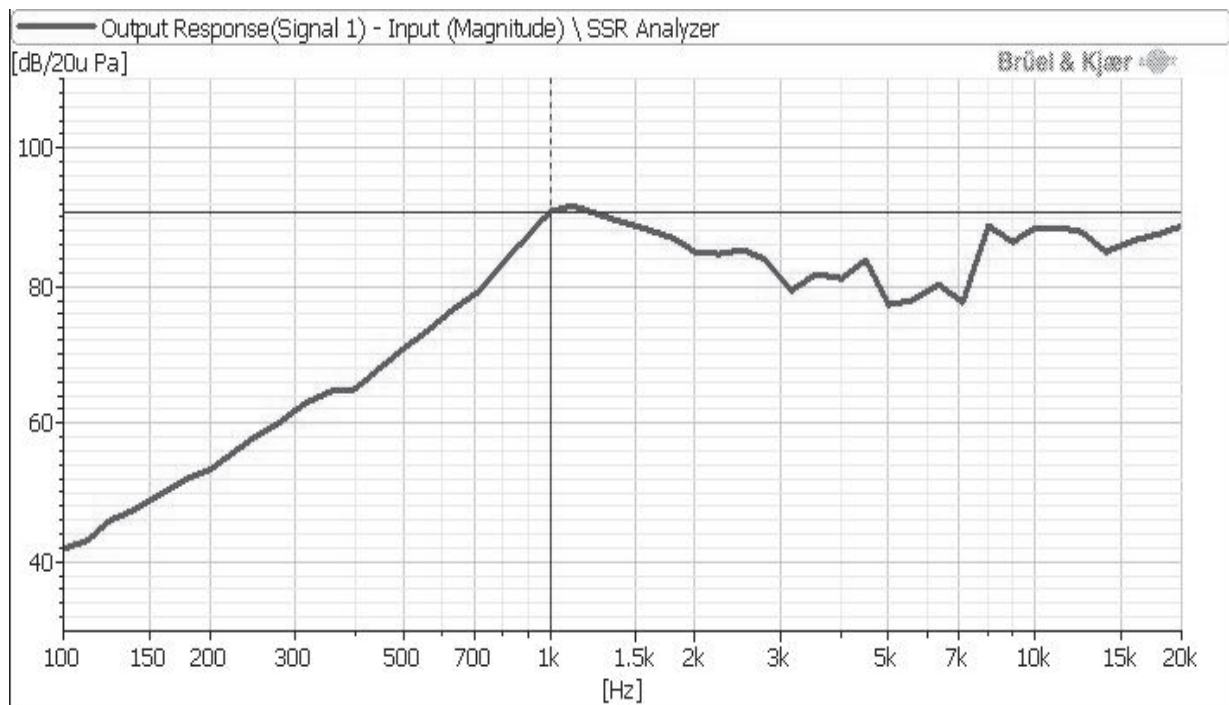
MECHANICAL DRAWING

units: mm
tolerance: ±0.5 mm

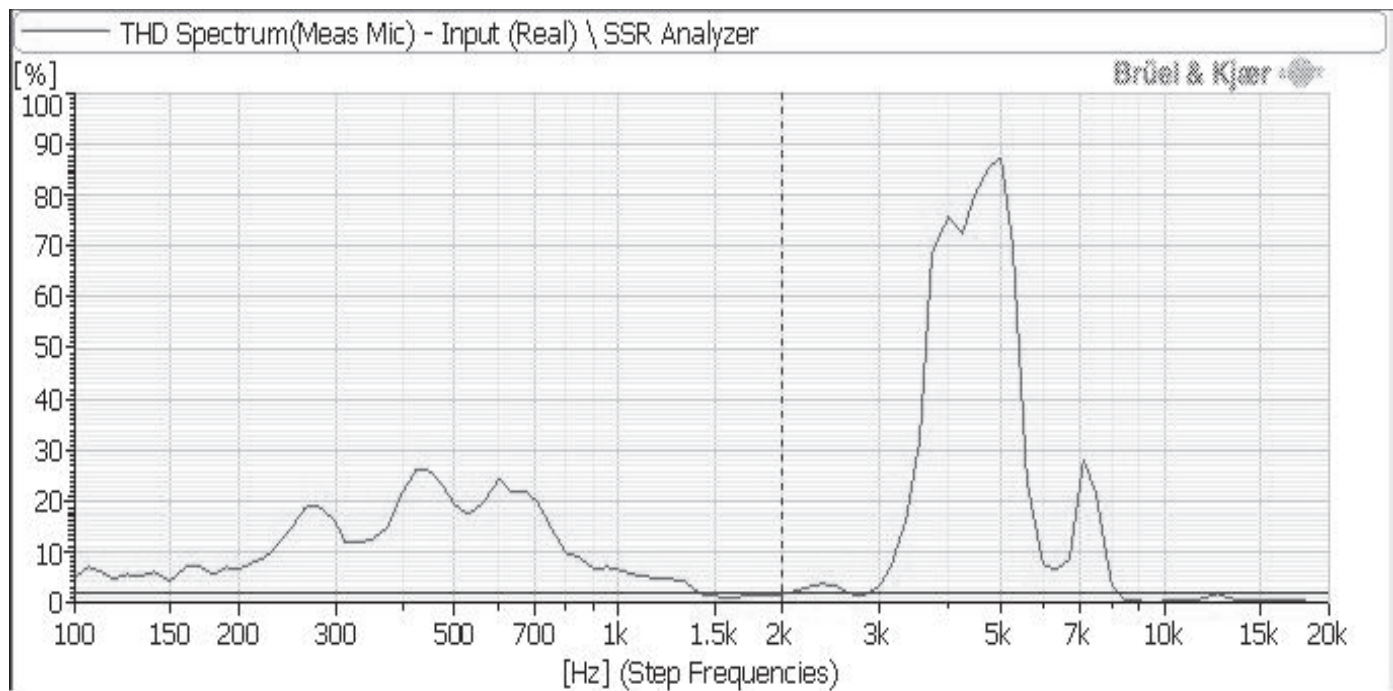


RESPONSE CURVES

Frequency Response Curve



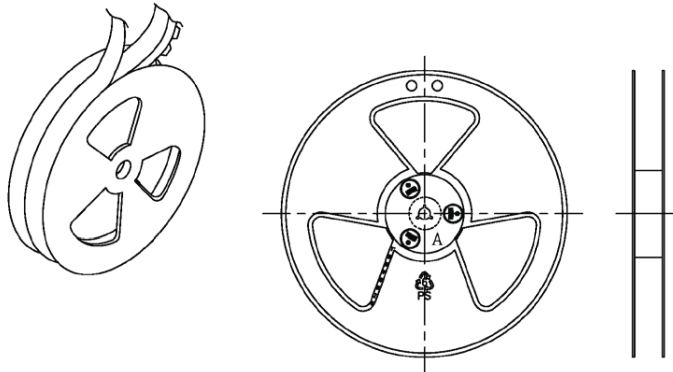
Total Harmonic Distortion Curve



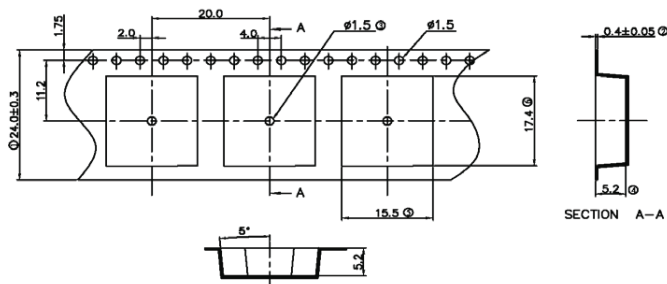
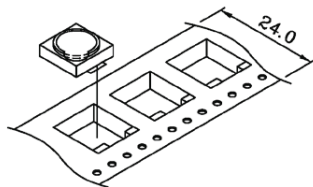
PACKAGING

units: mm

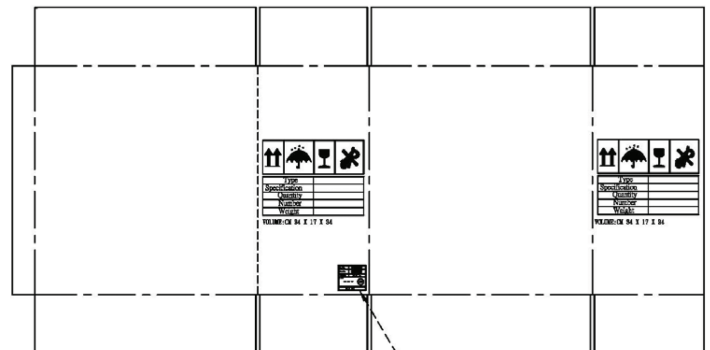
Reel Size: Ø330
 Carton Size: 170 x 340 x 340 mm
 Reel QTY: 600 pcs per reel
 Carton QTY: 3,000 pcs per carton



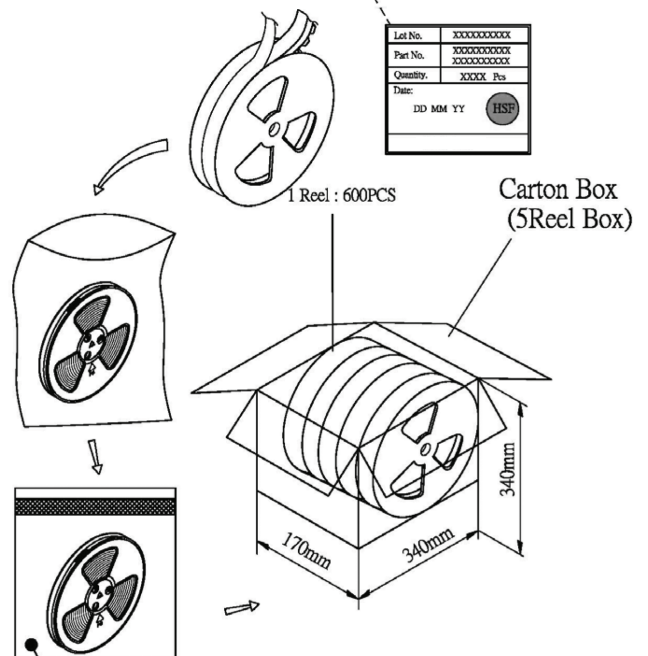
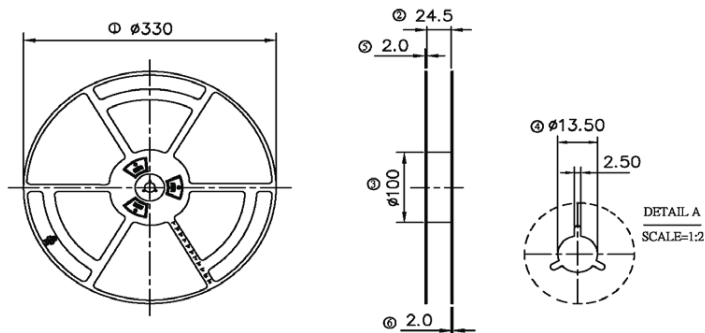
1 Reel : 600PCS



SECTION A-A



| | |
|----------|------------|
| Lot No. | XXXXXXXXXX |
| Part No. | XXXXXXXXXX |
| Quantity | XXXXX Pcs |
| Date: | DD MM YY |
| | HSP |



REVISION HISTORY

| rev. | description | date |
|------|-----------------------------------|------------|
| 1.0 | initial release | 03/12/2015 |
| 1.01 | added packaging details | 06/19/2017 |
| 1.02 | brand update | 01/20/2020 |
| 1.03 | logo, datasheet style update | 08/05/2022 |
| 1.04 | CUI Devices rebranded to Same Sky | 09/11/2024 |

The revision history provided is for informational purposes only and is believed to be accurate.



Same Sky offers a one (1) year limited warranty. Complete warranty information is listed on our website.

Same Sky reserves the right to make changes to the product at any time without notice. Information provided by Same Sky is believed to be accurate and reliable. However, no responsibility is assumed by Same Sky for its use, nor for any infringements of patents or other rights of third parties which may result from its use.

Same Sky products are not authorized or warranted for use as critical components in equipment that requires an extremely high level of reliability. A critical component is any component of a life support device or system whose failure to perform can be reasonably expected to cause the failure of the life support device or system, or to affect its safety or effectiveness.

[sameskydevices.com](https://www.sameskydevices.com)