



## SERIES: CDM1261 | DESCRIPTION: M12 CABLE

### FEATURES

- M12 molded female cable connector
- D code
- right-angle
- IP67
- 0.5, 1, 2, 3, & 5 meter length options



### SPECIFICATIONS

| parameter                  | conditions/description                       | min | typ   | max | units  |
|----------------------------|--|-----|-------|-----|--------|
| rated voltage              |  |     |       | 60  | V      |
| rated current              |  |     |       | 1.5 | A      |
| withstanding voltage       | for 1 minute                                 |     | 1,500 |     | Vac    |
| contact resistance         |  |     |       | 10  | mΩ     |
| insulation resistance      | at 500 Vdc for 1 minute                      | 100 |       |     | MΩ     |
| insertion/withdrawal force |  | 0.3 |       | 3.0 | kgf    |
| operating temperature      |  | -25 |       | 80  | °C     |
| life                       |  | 100 |       |     | cycles |
| safety approvals           | compliant with IEC61076-2-101                |     |       |     |        |
| flammability rating        | see material table                           |     |       |     |        |
| RoHS                       | yes  |     |       |     |        |
| IP level                   | M12: IP67 (in mated condition)<br>RJ45: IP20 |     |       |     |        |

### PART NUMBER KEY

**CDM1261 - 04D - 01FRA - XXX - RJ45 - 67**

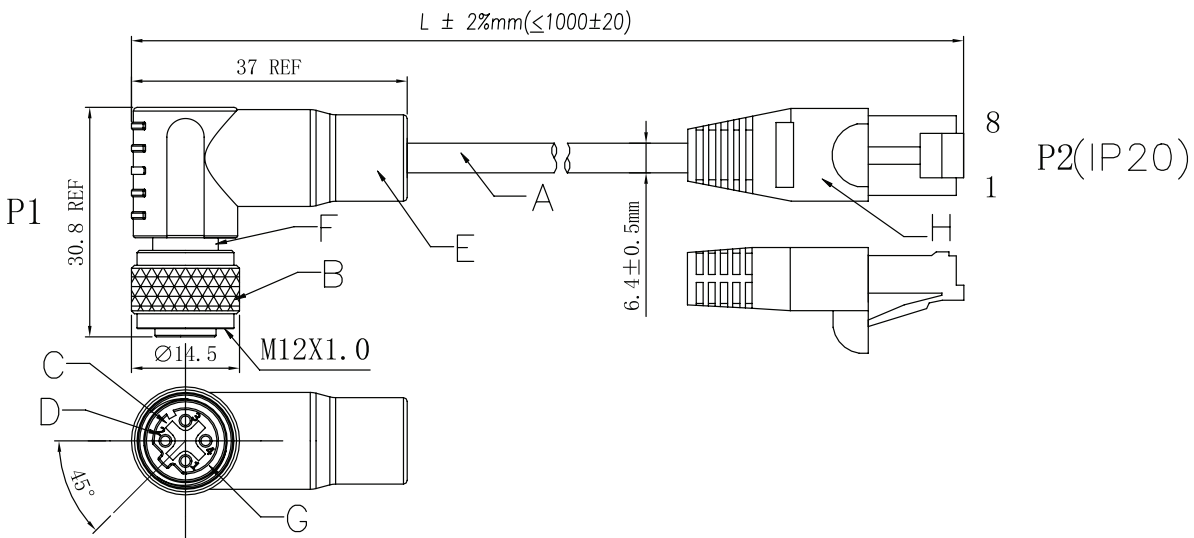
Base Number

Cable Length:  
05M = 0.5 m  
1M = 1 m  
2M = 2 m  
3M = 3 m  
5M = 5 m

## MECHANICAL DRAWING

units: mm  
 tolerance:  
 0.5<X≤6.0: ±0.1 mm  
 6.0<X≤30.0: ±0.2 mm  
 unless otherwise noted

| ITEM | DESCRIPTION       | MATERIAL                                   | PLATING/COLOR |
|------|-------------------|--|---------------|
| A    | cable             | CAT5 (100 Mbps), UL2464, 26 AWG PVC jacket |               |
| B    | M12X1.0 screw     | brass                                      | nickel        |
| C    | terminals; female | brass                                      | gold          |
| D    | housing; female   | PA66 (UL94V-0)                             | black         |
| E    | overmold          | UL20549 PUR                                | black         |
| F    | shield pipe       | brass                                      | nickel        |
| G    | o-ring            | FKM  | green         |
| H    | connector         | RJ45 8PIN shield shell                     | black         |



|              |  |   |           |  |           |   |        |   |   |   |        |   |   |   |       |   |   |   |      |   |   |        |       |   |        |
|--------------|--|---|-----------|--|-----------|---|--------|---|---|---|--------|---|---|---|-------|---|---|---|------|---|---|--------|-------|---|--------|
| No. of Poles | 4  |   |           |  |           |   |        |   |   |   |        |   |   |   |       |   |   |   |      |   |   |        |       |   |        |
| D-Coding     |  |   |           |  |           |   |        |   |   |   |        |   |   |   |       |   |   |   |      |   |   |        |       |   |        |
| Cable        | 26 AWG twisted pair X 2C + AL + Braid<br>OD: Ø6.4 mm   |   |           |  |           |   |        |   |   |   |        |   |   |   |       |   |   |   |      |   |   |        |       |   |        |
| Wiring       | <table border="0" style="width: 100%; text-align: center;"> <tr> <td style="width: 20%;"></td> <td style="width: 30%;">P1 (M12)</td> <td style="width: 30%;"></td> <td style="width: 20%;">P2 (RJ45)</td> </tr> <tr> <td>1</td> <td>Yellow</td> <td>↘</td> <td>1</td> </tr> <tr> <td>3</td> <td>Orange</td> <td>↙</td> <td>2</td> </tr> <tr> <td>2</td> <td>White</td> <td>↘</td> <td>3</td> </tr> <tr> <td>4</td> <td>Blue</td> <td>↙</td> <td>6</td> </tr> <tr> <td>Shield</td> <td>Braid</td> <td>—</td> <td>Shield</td> </tr> </table> |   | P1 (M12)  |  | P2 (RJ45) | 1 | Yellow | ↘ | 1 | 3 | Orange | ↙ | 2 | 2 | White | ↘ | 3 | 4 | Blue | ↙ | 6 | Shield | Braid | — | Shield |
|              | P1 (M12)   |   | P2 (RJ45) |  |           |   |        |   |   |   |        |   |   |   |       |   |   |   |      |   |   |        |       |   |        |
| 1            | Yellow   | ↘ | 1         |  |           |   |        |   |   |   |        |   |   |   |       |   |   |   |      |   |   |        |       |   |        |
| 3            | Orange   | ↙ | 2         |  |           |   |        |   |   |   |        |   |   |   |       |   |   |   |      |   |   |        |       |   |        |
| 2            | White  | ↘ | 3         |  |           |   |        |   |   |   |        |   |   |   |       |   |   |   |      |   |   |        |       |   |        |
| 4            | Blue   | ↙ | 6         |  |           |   |        |   |   |   |        |   |   |   |       |   |   |   |      |   |   |        |       |   |        |
| Shield       | Braid  | — | Shield    |  |           |   |        |   |   |   |        |   |   |   |       |   |   |   |      |   |   |        |       |   |        |

## REVISION HISTORY

| rev. | description                       | date       |
|------|-----------------------------------|------------|
| 1.0  | initial release                   | 05/15/2024 |
| 1.01 | CUI Devices rebranded to Same Sky | 09/12/2024 |

The revision history provided is for informational purposes only and is believed to be accurate.



Same Sky offers a one (1) year limited warranty. Complete warranty information is listed on our website.

Same Sky reserves the right to make changes to the product at any time without notice. Information provided by Same Sky is believed to be accurate and reliable. However, no responsibility is assumed by Same Sky for its use, nor for any infringements of patents or other rights of third parties which may result from its use.

Same Sky products are not authorized or warranted for use as critical components in equipment that requires an extremely high level of reliability. A critical component is any component of a life support device or system whose failure to perform can be reasonably expected to cause the failure of the life support device or system, or to affect its safety or effectiveness.

[sameskydevices.com](https://www.sameskydevices.com)