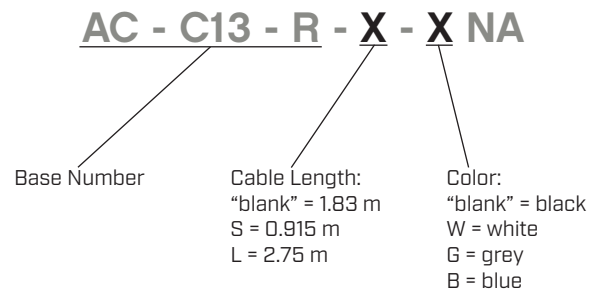


**SERIES:** AC-C13-R NA | **DESCRIPTION:** AC CABLE**FEATURES**

- NEMA 5-15P to IEC 320-C13, right angle
- 125 V, 10 A
- black, white, gray, and blue options

**SPECIFICATIONS**

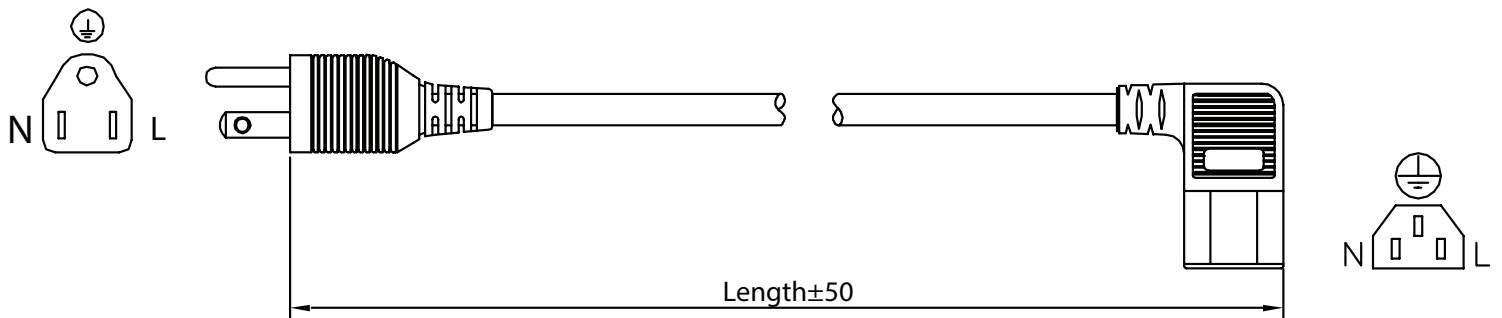
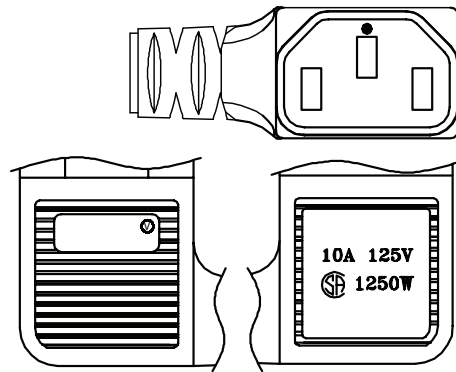
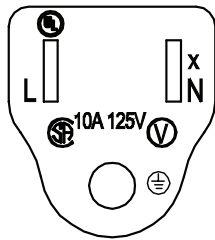
parameter	conditions/description	min	typ	max	units
rated voltage				125	Vac
rated current				10	A
operating temperature		-20		105	°C
RoHS	yes				

**PART NUMBER KEY**

## MECHANICAL DRAWING

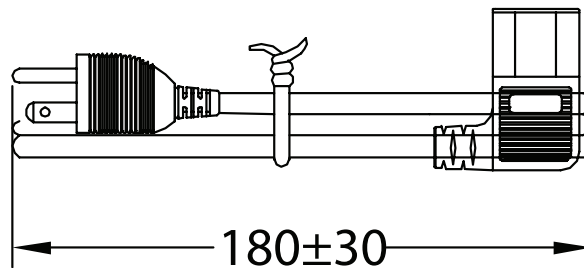
units: mm

ITEM	DESCRIPTION
cable	PVC 45; SVT 18 AWG*3C
connector 1	NEMA 5-15P
connector 2	IEC 320-C13
overmold 1	PVC 30P [UL94V-0]
overmold 2	PVC 45P [UL94V-0]



**WIRING COLOR:**

- E: Green
- N: White
- L: Black



## REVISION HISTORY

rev.	description	date
1.0	initial release	10/09/2024

The revision history provided is for informational purposes only and is believed to be accurate.



Same Sky offers a one (1) year limited warranty. Complete warranty information is listed on our website.

Same Sky reserves the right to make changes to the product at any time without notice. Information provided by Same Sky is believed to be accurate and reliable. However, no responsibility is assumed by Same Sky for its use, nor for any infringements of patents or other rights of third parties which may result from its use.

Same Sky products are not authorized or warranted for use as critical components in equipment that requires an extremely high level of reliability. A critical component is any component of a life support device or system whose failure to perform can be reasonably expected to cause the failure of the life support device or system, or to affect its safety or effectiveness.

[sameskydevices.com](https://www.sameskydevices.com)