

## Product Change Notice (PCN)

**Date:** 3/1/2021

**PCN Number:** PCN-0730121R-02

### To Our Customers:

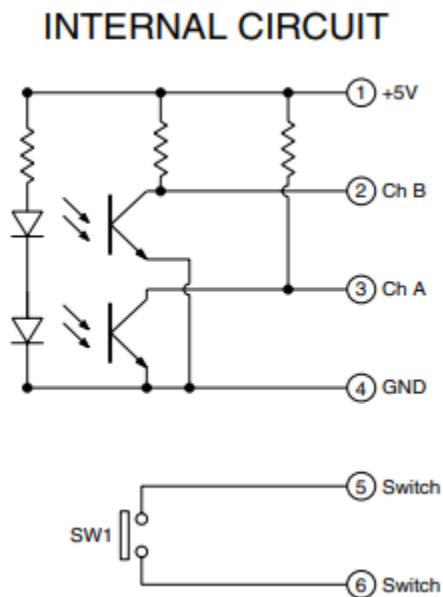
We appreciate your use of CUI Devices products. Our commitment in maintaining and improving processes is demonstrated by plans to enhance our product quality, reliability, and manufacturability. The purpose of this notice is to inform you of a product change.

**Product(s) Affected:** EC251E050C2Z-0260

**Reason(s) for Change:** modifications to design.

**Description of Change:** Internal circuit and supply current adjustment. Current change from 20mA to 30mA. Internal circuit changes shown in below images:

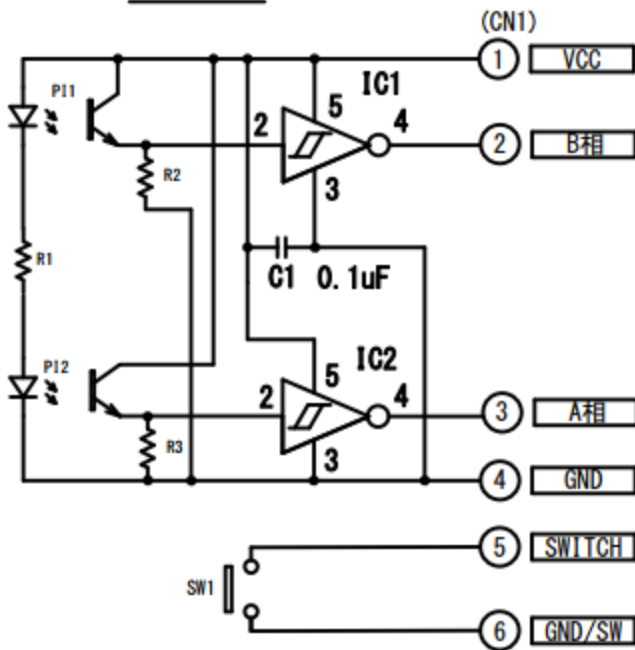
### Old circuit design



### New circuit design

# CUI DEVICES

## Circuit



**Affected Date Code:** February 1<sup>st</sup>, 2021

**Product Availability:** currently available

**Additional Information:** none

PCN Approval:

Operations/Quality



Product Marketing

