

Product Change Notice (PCN)

Date: **10/27/2023**

PCN Number: **PCN-0454861R-01**

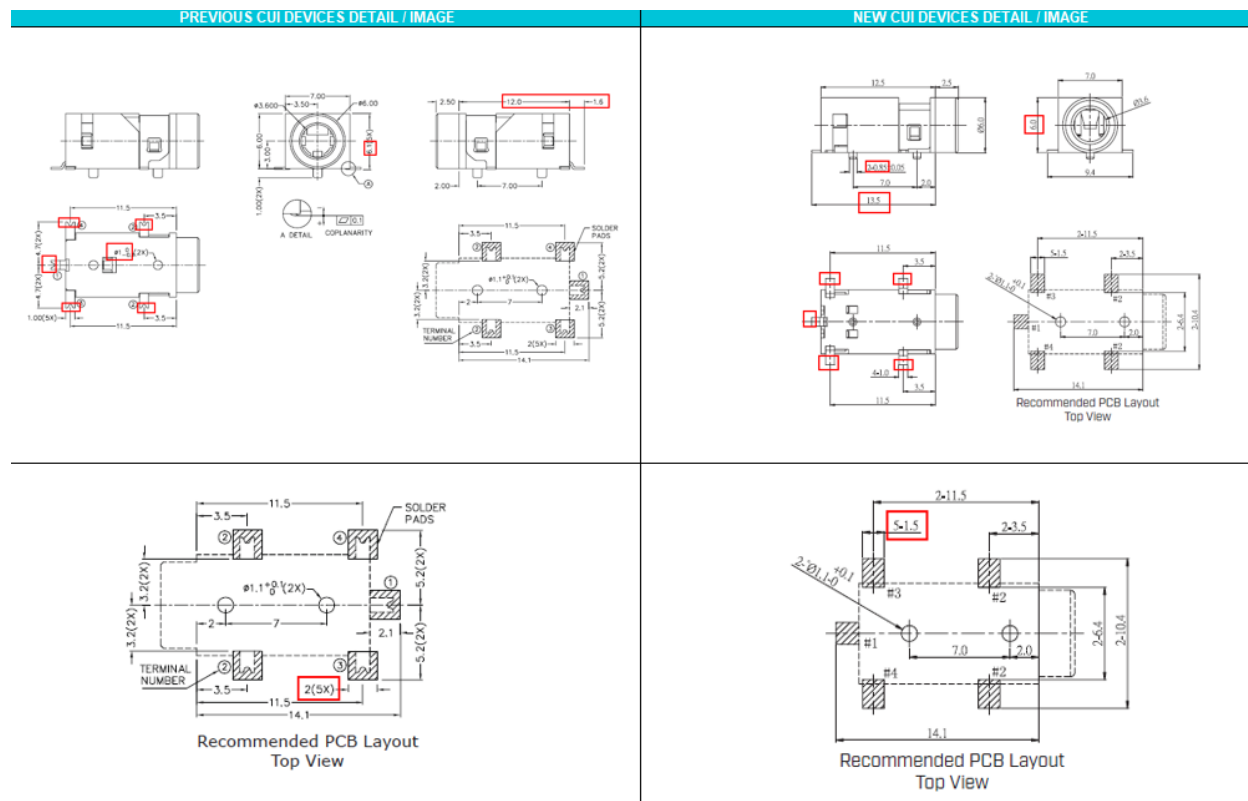
To Our Customers:

We appreciate your use of our products. Our commitment in maintaining and improving processes is demonstrated by plans to enhance our product quality, reliability, and manufacturability. The purpose of this notice is to inform you of a product change.

Product(s) Affected: **SJ2-3514A-SMT-TR**

Reason(s) for Change: **Manufacturing Improvement processes**

Description of Change: **Dimensional & Material Change. See image Below**



PREVIOUS CUI DEVICES DETAIL / IMAGE			NEW CUI DEVICES DETAIL / IMAGE		
	MATERIAL	PLATING		MATERIAL	PLATING/COLOR
terminal 1	copper alloy	silver	terminal 1	phosphor bronze	silver
terminal 2	copper alloy	silver	terminal 2	phosphor bronze	silver
terminal 3	copper alloy	silver	terminal 3	phosphor bronze	silver
terminal 4	copper alloy	silver	terminal 4	phosphor bronze	silver
plastic	PA10T		housing	PA9T (UL94V-0)	black

SPECIFICATIONS

parameter	conditions/description	min	typ	max	units
rated input voltage			12		Vdc
rated input current				1	A
contact resistance ¹	between terminal and mating plug between terminal in a closed circuit			150 30	mΩ mΩ
insulation resistance	at 500 Vdc	100			MΩ
voltage withstand	for 1 minute			500	Vac
insertion/withdrawal force		0.3		3	kg
operating temperature		-25		85	°C
life	at a rate of 24 cycles/minute		5,000		cycles
flammability rating	UL94V-0				
RoHS	yes				

SPECIFICATIONS

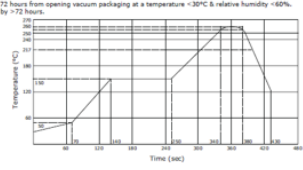
parameter	conditions/description	min	typ	max	units
rated input voltage			12		Vdc
rated input current				1	A
contact resistance	between terminal and mating plug between terminal in a closed circuit			100 30	mΩ mΩ
insulation resistance	at 500 Vdc	100			MΩ
voltage withstand	for 1 minute			500	Vac
insertion/withdrawal force		0.3		3	kg
operating temperature		-25		85	°C
life			5,000		cycles
flammability rating	UL94V-0				
RoHS	yes				

SOLDERABILITY

parameter	conditions/description	min	typ	max	units
reel storage	at relative humidity <80%			40	°C
reflow soldering ¹	see reflow profile	255	260	265	°C

drying conditions²
 parts in reel: bake at 40°C ±5°C for 72 hours
 parts removed from reel: bake at 40°C ±5°C for 10 hours

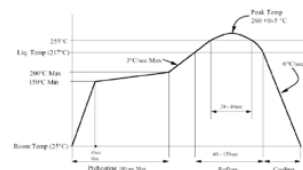
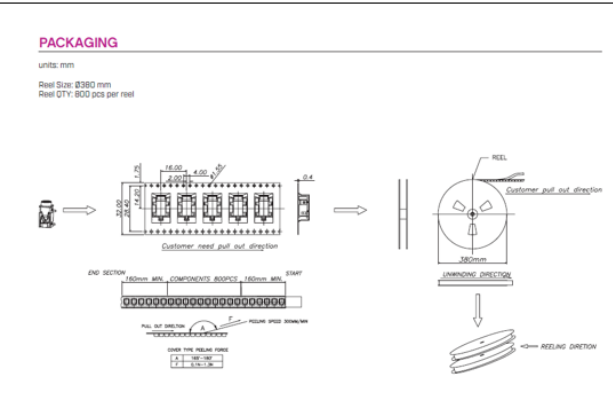
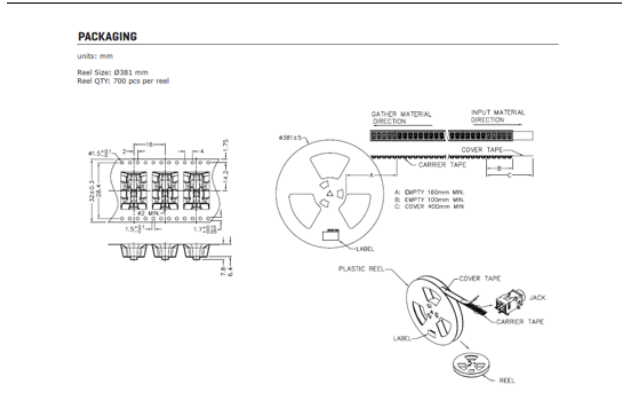
Note:
 1. Must reflow solder within 72 hours from opening vacuum packaging at a temperature <30°C & relative humidity <60%.
 2. When exceeding floor life by >72 hours.



SOLDERABILITY

parameter	conditions/description	min	typ	max	units
reel storage	<40°C, <80% humidity				
reflow soldering	see reflow profile	255	260	265	°C

Note:
 1. CUI Devices recommends usage of the product within 24 hours after TSS is opened. After 24 hours, CUI Devices recommends drying the parts prior to use.



Affected Date Code: **10/01/2023**

Product Availability: *Pertaining to market availability*

PCN Approval:

Operations/Quality

A handwritten signature in black ink, appearing to read "Robert Griffin", written over a horizontal line.

Product Management

A handwritten signature in black ink, appearing to read "J. [unclear]", written over a horizontal line. The signature is contained within a light gray rectangular box.