



# Product Change Notice (PCN)

Date: 12/20/2022

PCN Number: PCN-0451198R-01

To Our Customers:

We appreciate your use of our products. Our commitment in maintaining and improving processes is demonstrated by plans to enhance our product quality, reliability, and manufacturability. The purpose of this notice is to inform you of a product change.

Product(s) Affected: PJ-054

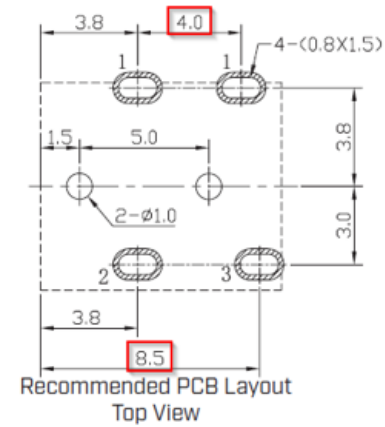
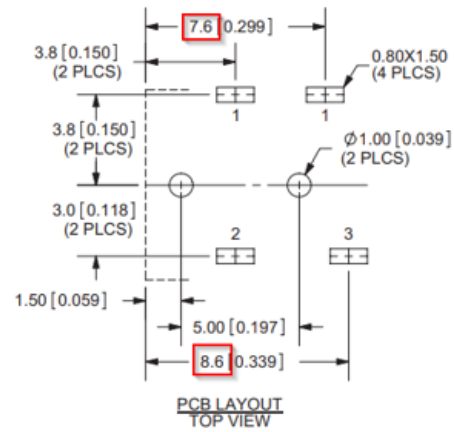
Reason(s) for Change: Manufacturing process improvements.

Description of Change: Mechanical, material, and PCB layout changes as noted below.

PREVIOUS CUI DEVICES DETAIL / IMAGE	NEW CUI DEVICES DETAIL / IMAGE

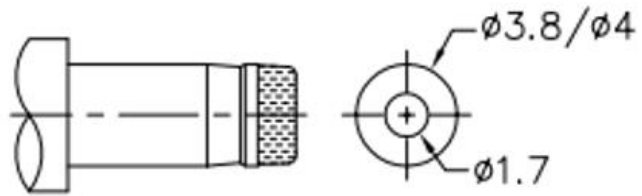
F-723-001

Revision: A

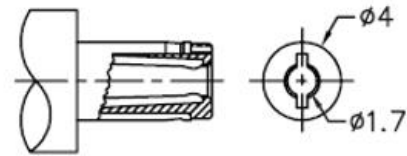


	MATERIAL	PLATING
center pin	brass	nickel
terminal 1	brass	tin
terminal 2	copper alloy	tin
terminal 3	brass	tin
plastic	PA66	

DESCRIPTION	MATERIAL	PLATING/COLOR
center pin	H65 brass	nickel
terminal 1	brass	silver
terminal 2	bronze	silver
terminal 3	brass	silver
housing	PA9T [UL94V-0]	black



MATING PLUG  
Jack Insertion Depth: **6.2 mm**



MATING PLUG  
Jack Insertion Depth: **6.1 mm**

Affected Date Code: *12/20/22*

Product Availability: *Channel Availability mid Q4*

Additional Information:

PCN Approval:

Operations/Quality

*Rae D. Quinn*

Product Management

*RH*



F-723-001

Revision: A