

Product Change Notice (PCN)

Date: 04/09/2020

PCN Number: PCN-0450358R-01

To Our Customers:

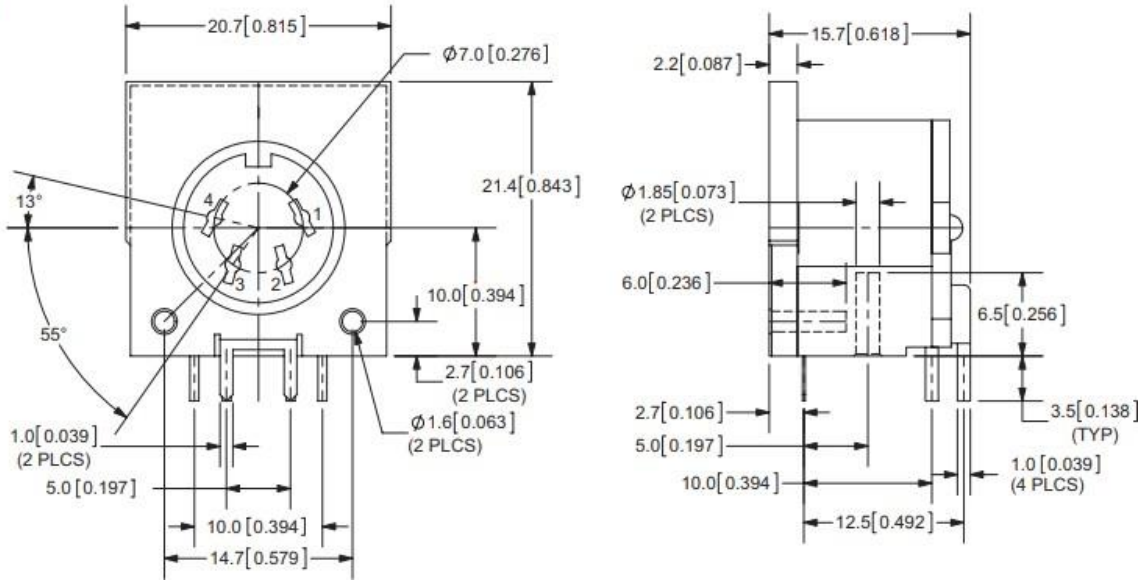
We appreciate your use of CUI Devices products. Our commitment in maintaining and improving processes is demonstrated by plans to enhance our product quality, reliability and manufacturability. The purpose of this notice is to inform you of a product change.

Product(s) Affected: SDF-J Series (SDF-40J, SDF-50J, SDF-60J, SDF-80J, SDF-130J)

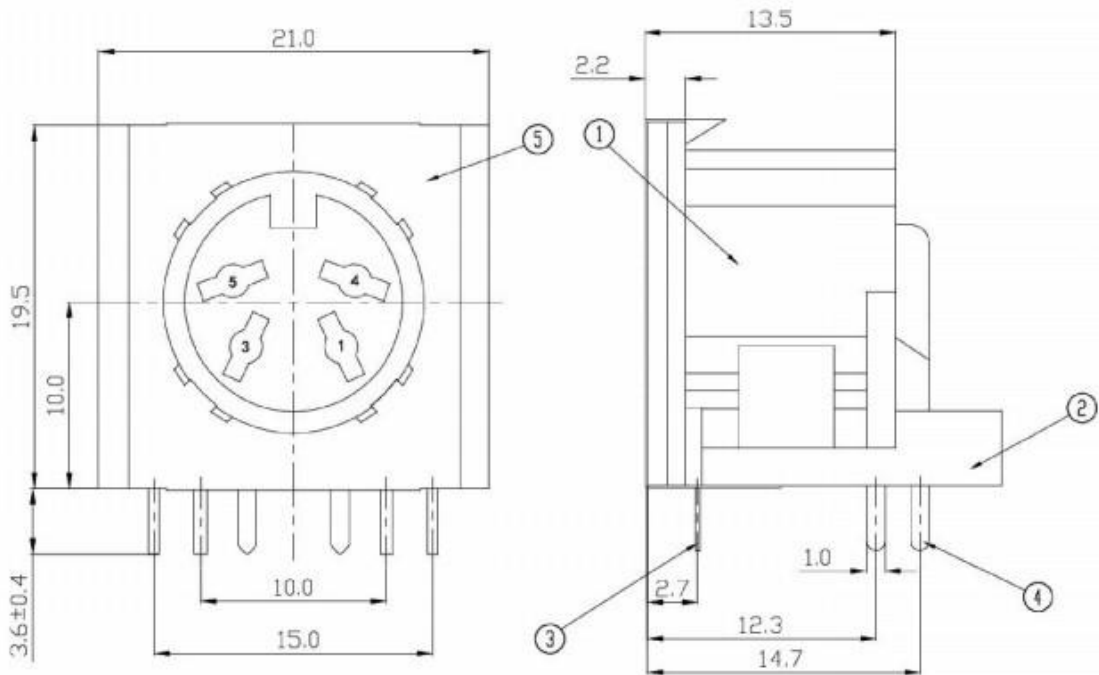
Reason(s) for Change: Manufacturing build location change.

Description of Change: Dimensional and mechanical changes as shown below. Materials changes as shown below. Note that PCB layouts have been adjusted to match the new mechanical changes.

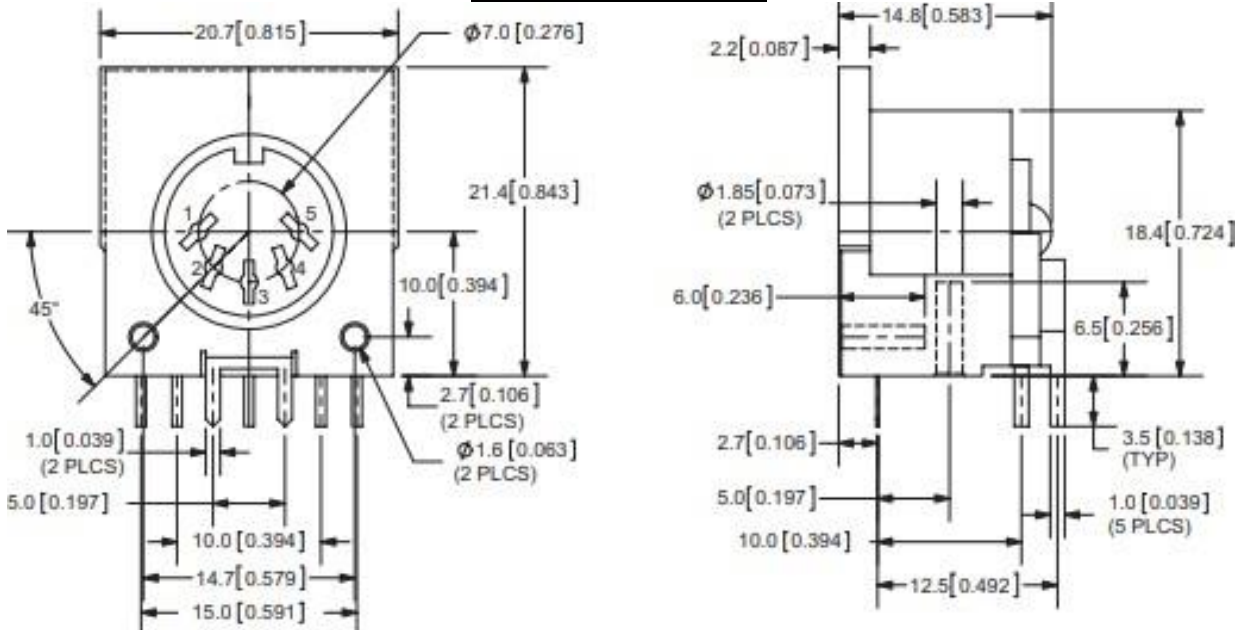
Old Design SDF-401



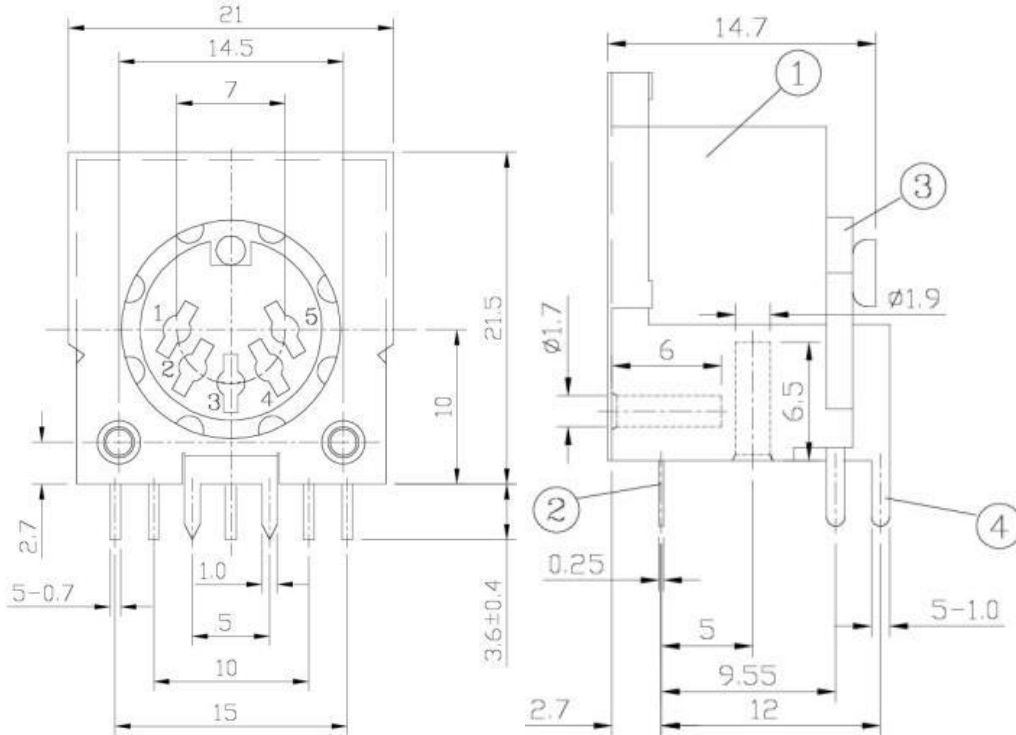
New Design SDF-401



Old Design SDF-50J

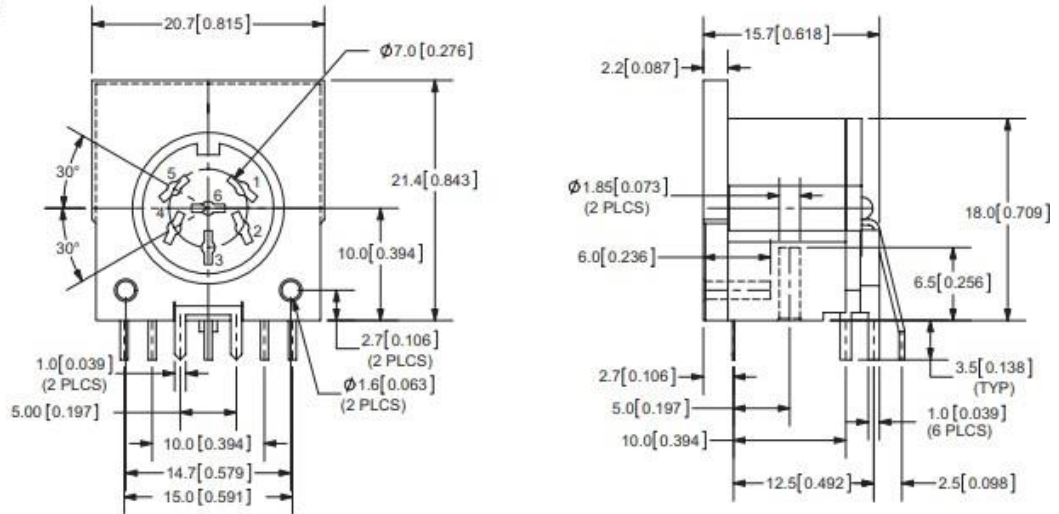


New Design SDF-50J

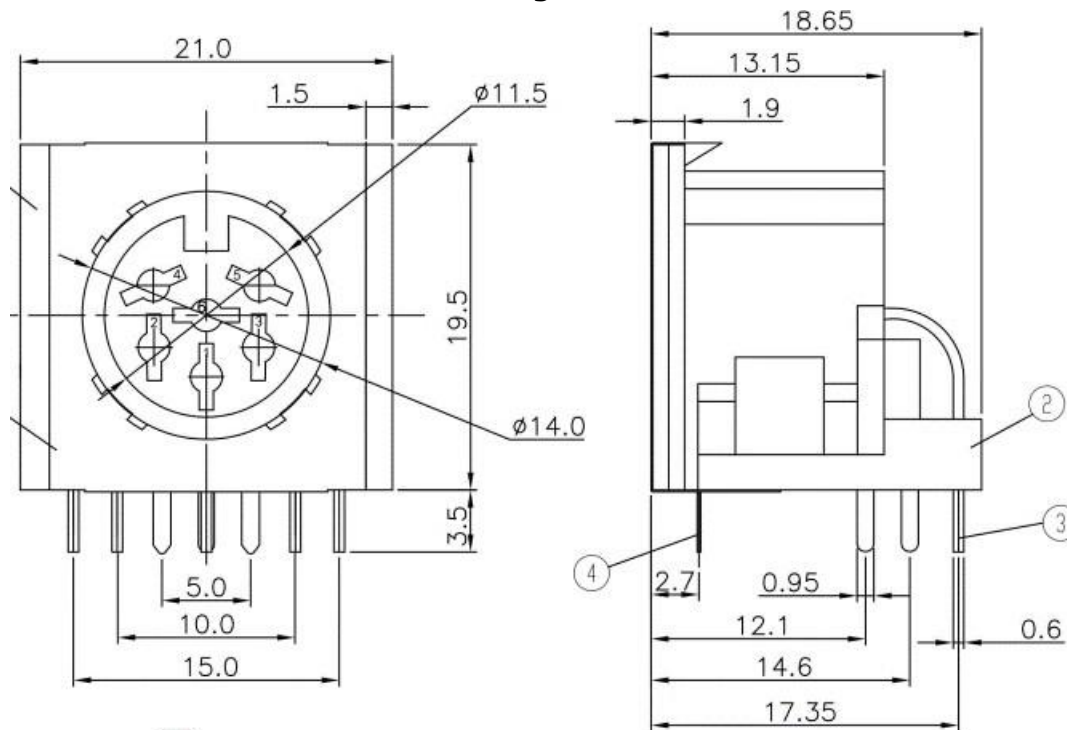


Old Design SDF-60J

SDF-60J

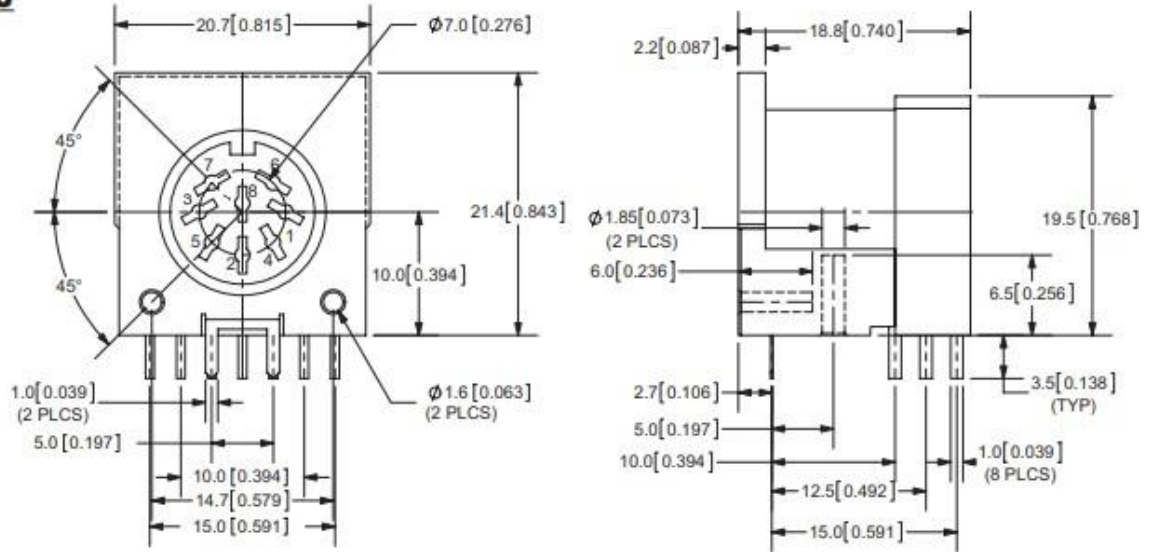


New Design SDF-60J

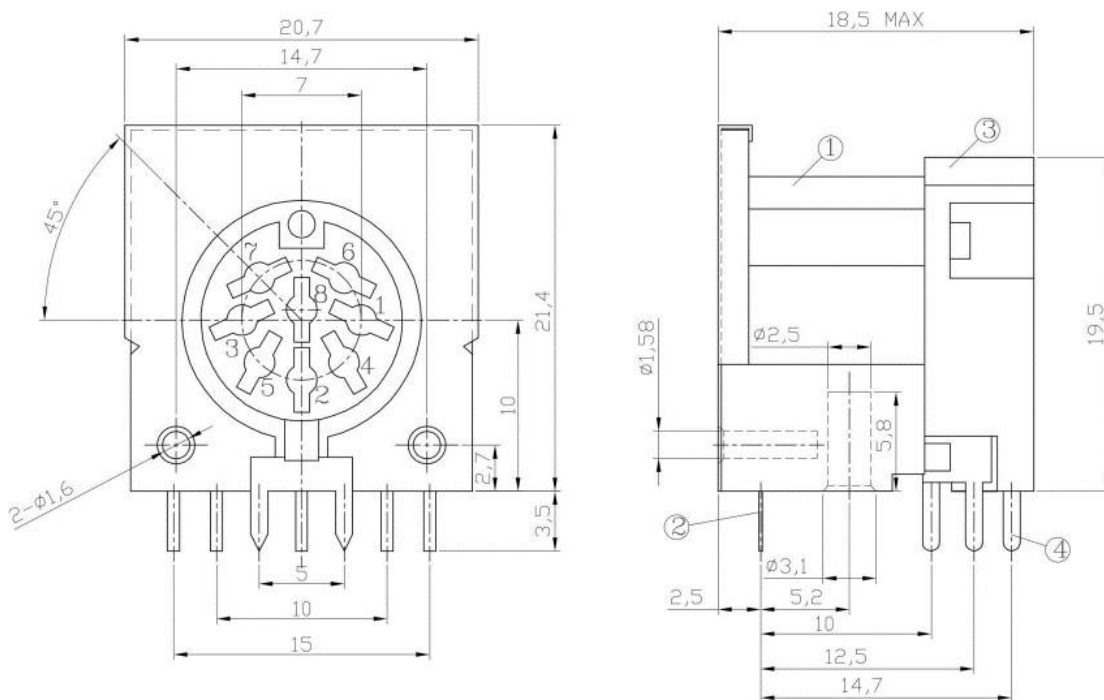


Old Design SDF-80J

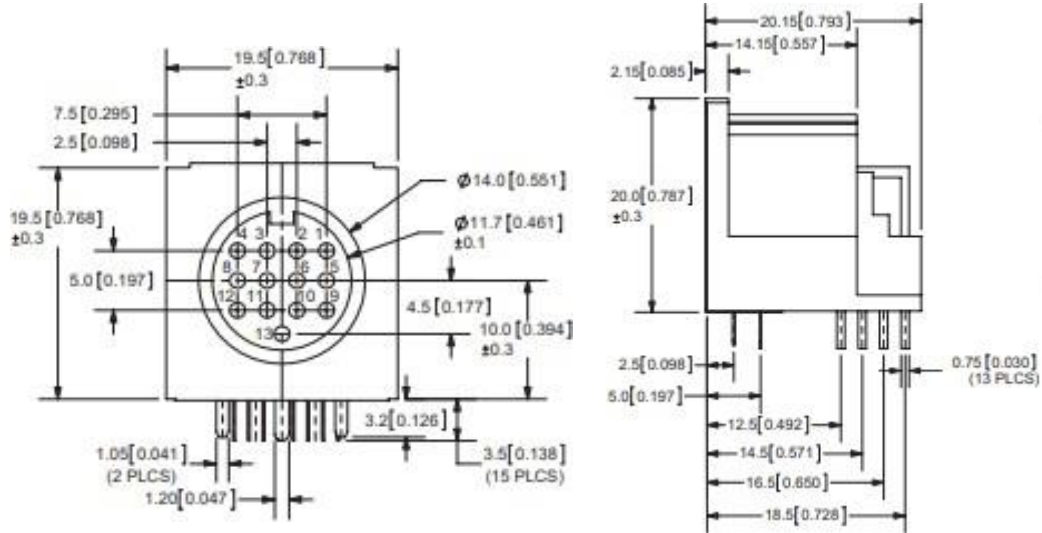
SDF-80J



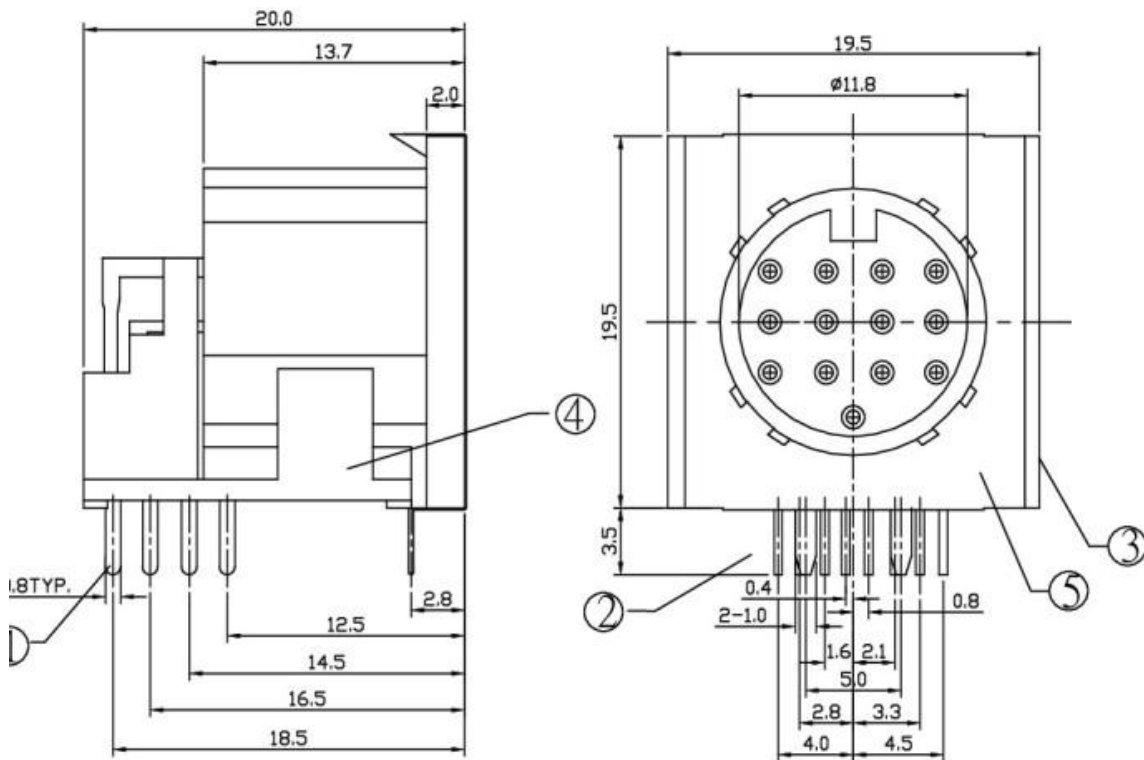
New Design SDF-80J

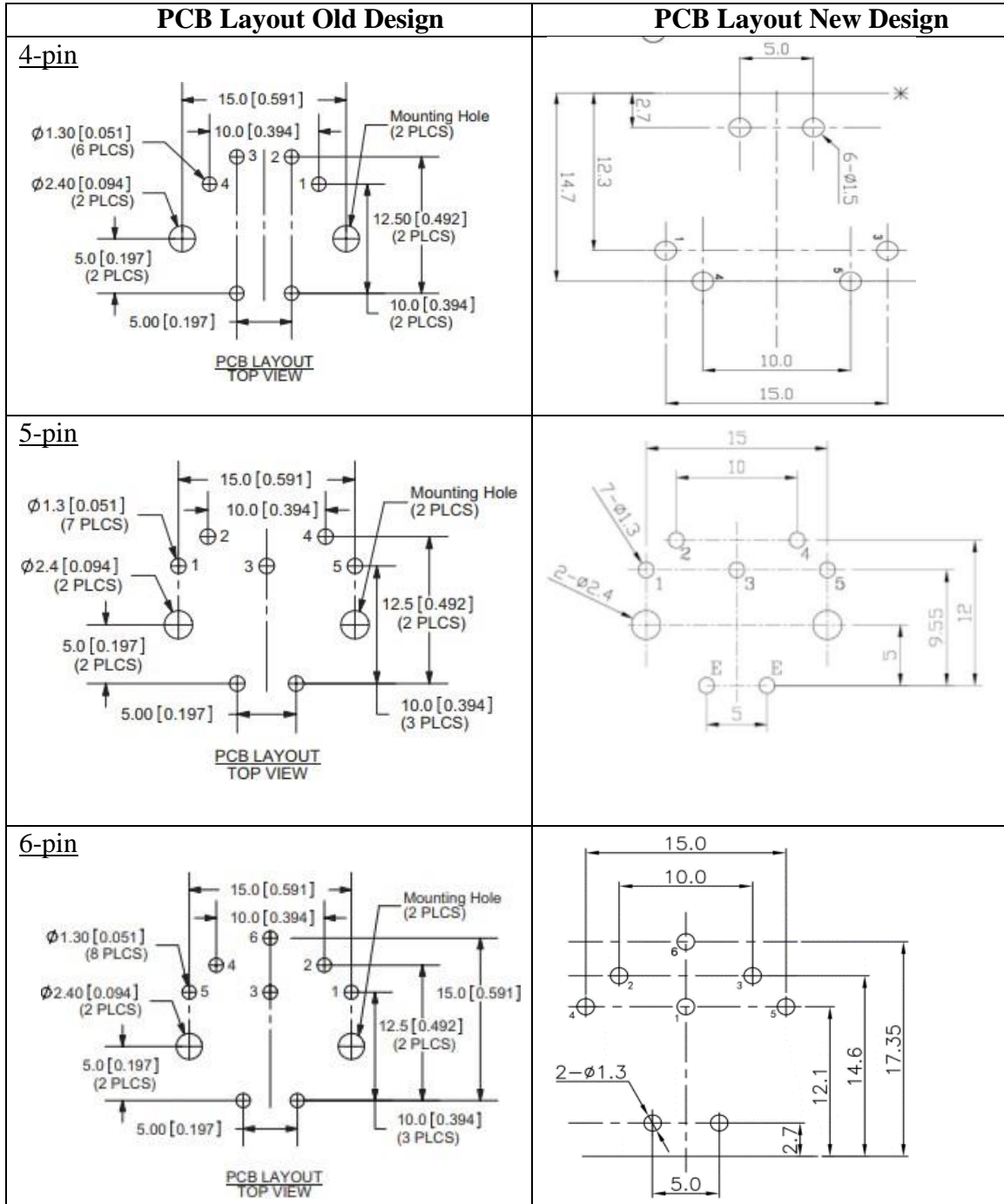


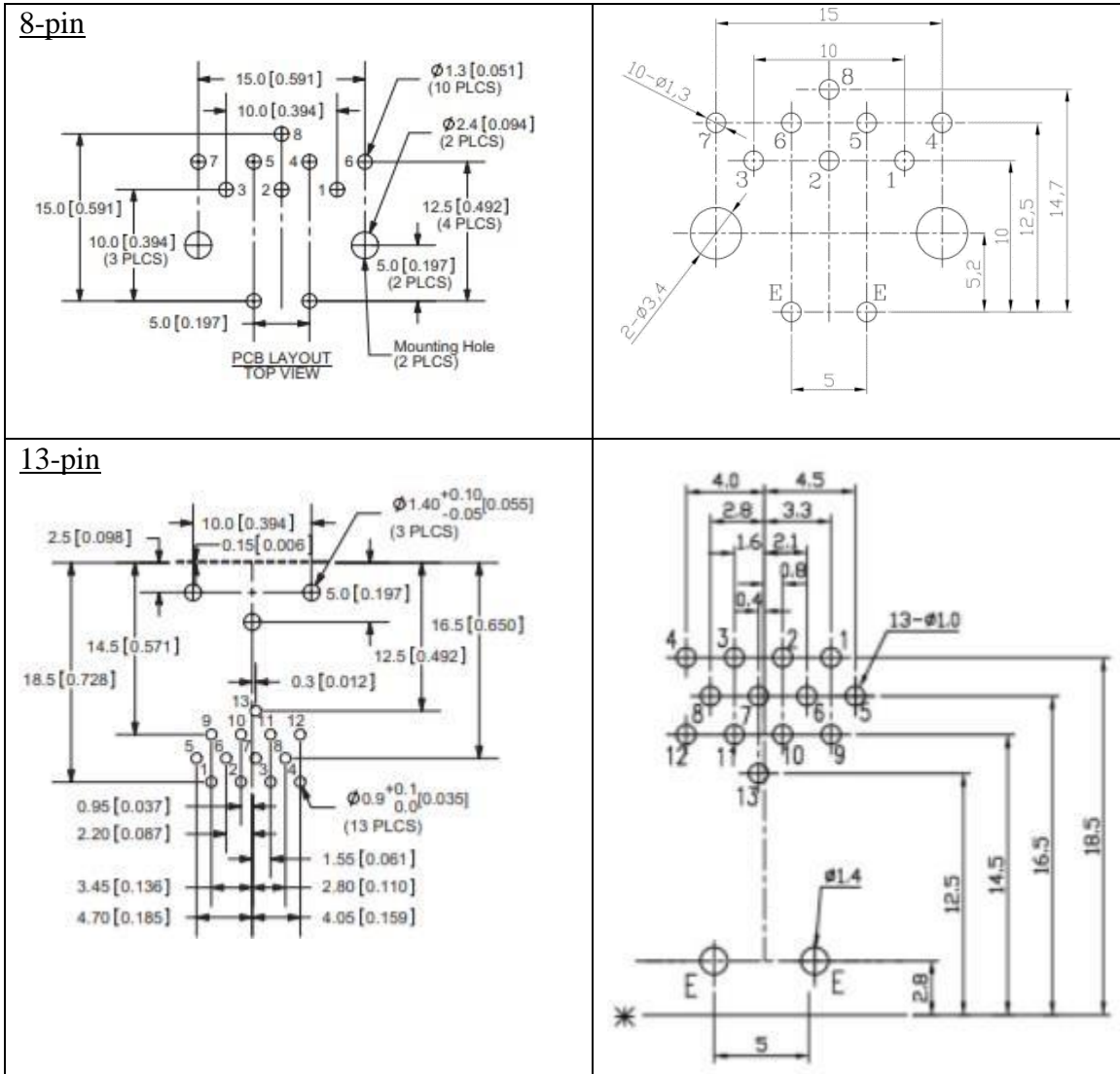
Old Design SDF-130J



New Design SDF-130J







Old design materials (all models)

	MATERIAL	PLATING
shield terminal (30~80)	brass	nickel
shield terminal (130)	phosphor bronze	tin
contact terminals (30~80)	brass	tin
contact terminals (130)	phosphor bronze	silver
plate (30~60)	bakelite	
plate (70, 80, 130)	N/A	
plastic	PBT	

New design materials (SDF-30J)

	MATERIAL	PLATING
housing	PBT	black
shielded terminal	brass	nickel
insulation board	bakelite	
terminal	brass	tin

New design materials (SDF-40J)

	MATERIAL	PLATING
1 housing	PBT 4815 UL94V-0	black
2 cover	PBT 4815 UL94V-0	black
3 contact	copper alloy	silver
4 contact	phosphor bronze	silver
5 sealed plate	copper alloy	copper/tin

New design materials (SDF-60J)

	MATERIAL	PLATING
1 housing	PBT 4815 UL94V-0	black
2 cover	PBT 4815 UL94V-0	black
3 contact foot	copper alloy	silver
4 contact foot	phosphor bronze	silver
5 sealed plate	copper alloy	copper/tin

New design materials (SDF-70J)

	MATERIAL	PLATING
housing	PBT	black
shielded terminal	brass	nickel
terminal	brass	tin

New design materials (SDF-80J)

		MATERIAL	PLATING
1	housing	PBT UL94V-0	black
2	shielded terminal	copper alloy	copper/tin
3	cover	PBT UL94V-0	black
4	terminal	copper alloy	silver

New design materials (SDF-130J)

		MATERIAL	PLATING
1	terminal	phosphor bronze	silver
2	ground contact	phosphor bronze	silver
3	housing	PBT 4815 UL94V-0	black
4	cover	PBT 4815 UL94V-0	black
5	sealed plate	copper alloy	copper/tin

Affected Date Code: April 1st, 2020

Product Availability: currently available

Additional Information: none

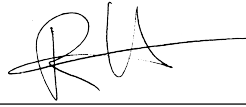
PCN Approval:

Operations/Quality

CUI DEVICES

20050 SW 112th Ave. Tualatin, Oregon 97062
phone: 800.275.4899 fax: 503.612.2383
www.cuidevices.com

Product Marketing

A handwritten signature in black ink, appearing to be 'RU' with a long horizontal stroke extending to the right.