

Product Change Notice (PCN)

Date: 02/25/2022

PCN Number: PCN-04502206R-02

To Our Customers:

We appreciate your use of our products. Our commitment in maintaining and improving processes is demonstrated by plans to enhance our product quality, reliability, and manufacturability. The purpose of this notice is to inform you of a product change.

Product(s) Affected: MD-PL100 Series
MD-30PL100, MD-40PL100, MD-50PL100, MD-60PL100, MD-80PL100

Reason(s) for Change: New factory location and tooling. To enhance product reliability and production consistency.

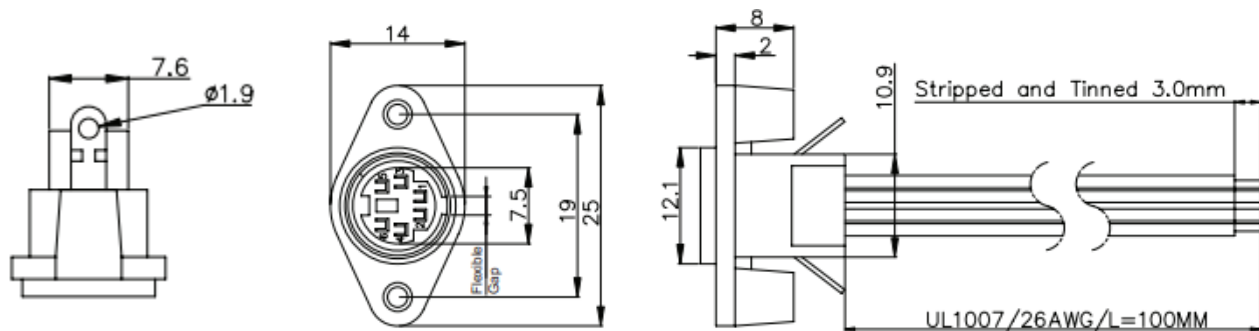
Functionality: Changes are within specified tolerances.

Description of Change: Small dimensional changes, shown in the drawing below

CUI DEVICES

6405 SW Rosewood St, Ste C
Lake Oswego, OR 97035

OLD



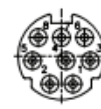
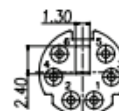
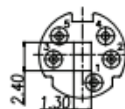
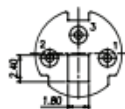
MD-30PL100

MD-40PL100

MD-50PL100

MD-60PL100

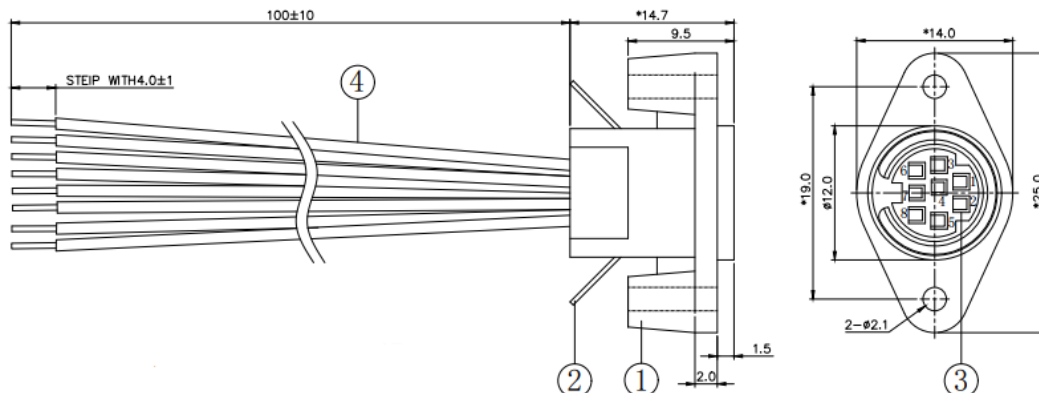
MD-80PL100



PIN	Wire Color	Wire Color	Wire Color	Wire Color	Wire Color
1	black	black	brown	brown	brown
2	green	green	black	white	white
3	orange	yellow	green	black	black
4		red	yellow	green	blue
5			red	yellow	green
6				red	yellow
7					orange
8					red

CUI DEVICES

6405 SW Rosewood St, Ste C
Lake Oswego, OR 97035



ARRANGEMENT OF CONTACTS					
NO OF CONTACTS	3	4	5	6	8
MODEL NO					
WIRE COLOR	1 BLACK 2 GREEN 3 ORANGE 4 --- 5 --- 6 --- 7 --- 8	1 BLACK 2 GREEN 3 YELLOW 4 RED 5 --- 6 --- 7 --- 8	1 BROWN 2 BLACK 3 GREEN 4 YELLOW 5 RED 6 --- 7 --- 8	1 BROWN 2 WHITE 3 BLACK 4 GREEN 5 YELLOW 6 RED 7 --- 8	1 BROWN 2 WHITE 3 BLACK 4 BLUE 5 GREEN 6 YELLOW 7 ORANGE 8 RED

Affected Date Code: 02/25/2022
Product Availability: pertaining to market availability

PCN Approval:

Operations/Quality

Product Management