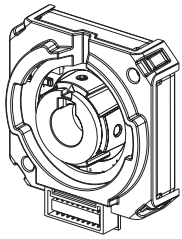
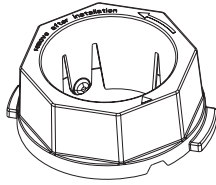


AMT13/13A/24/33 SERIES

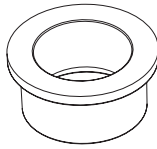
Assembly Instructions



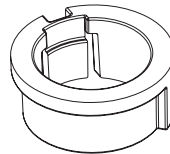
AMT13/13A/24/33



Alignment Tool*



Placement Tool



Shaft Adapter



Allen Wrench

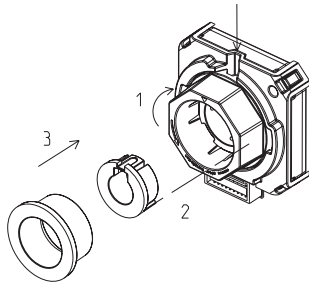
Sleeve Sizes:

- 9 mm = Light Blue
- 3/8 in = Orange
- 10 mm = Purple
- 11 mm = Gray
- 12 mm = Yellow
- 1/2 in = Green
- 13 mm = Red
- 14 mm = Blue
- 5/8 in = None Needed

AMT kits come with all items shown.

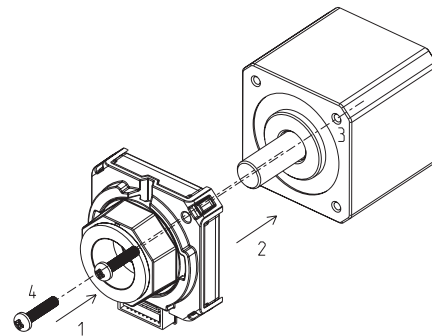
*Alignment Tool comes pre-installed on all AMT13/13A/24/33 Series.

STEP 1



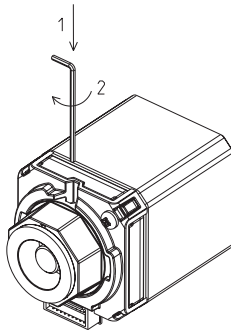
1. Begin by rotating the pre-installed alignment tool clockwise and completely to the right so that the pre-installed shaft set screw is visible.
2. Select the appropriately sized shaft adapter and insert it into the encoder making sure the adapter is properly aligned with the keyway in the metal hub. No adapter is needed for a 5/8" motor shaft.
3. Select the placement tool and insert it into the encoder. This placement tool holds the encoder's hub and shaft adapter in the proper position for installation onto the motor shaft.

STEP 2



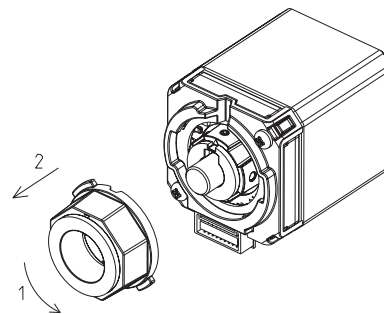
1. Slide the encoder onto the motor shaft applying force only to the placement tool to maintain proper alignment of the encoder's hub and shaft adapter.
2. Press until the encoder sits flush with the motor body.
3. Once in contact with the motor body, rotate the encoder until the mounting holes are aligned with the proper bolt circle.
4. Insert screws and fasten the encoder to the motor.

STEP 3



1. Insert the Allen Wrench into the notch on the top.
2. Tighten the shaft set screw. Torque to specification listed on applicable AMT encoder datasheet.

STEP 4



1. Rotate the placement tool and alignment tool counterclockwise until the tabs align with the openings.
2. Remove both tools from the encoder.
3. When installation is finished, the motor shaft should be rotating freely.

For additional instructions or information contact customer support at: 877.323.3576

For more information visit www.sameskydevices.com/amt

Same Sky's products are not intended for applications where a failure could result in costly, dangerous, or life threatening situations. Same Sky will not be responsible for damages, or losses greater than the cost of the Same Sky replacement parts.

same sky

6405 SW Rosewood St, Ste C
Lake Oswego, OR 97035

© 2024 Same Sky. All rights reserved.

Information in this document is subject to change without notice.